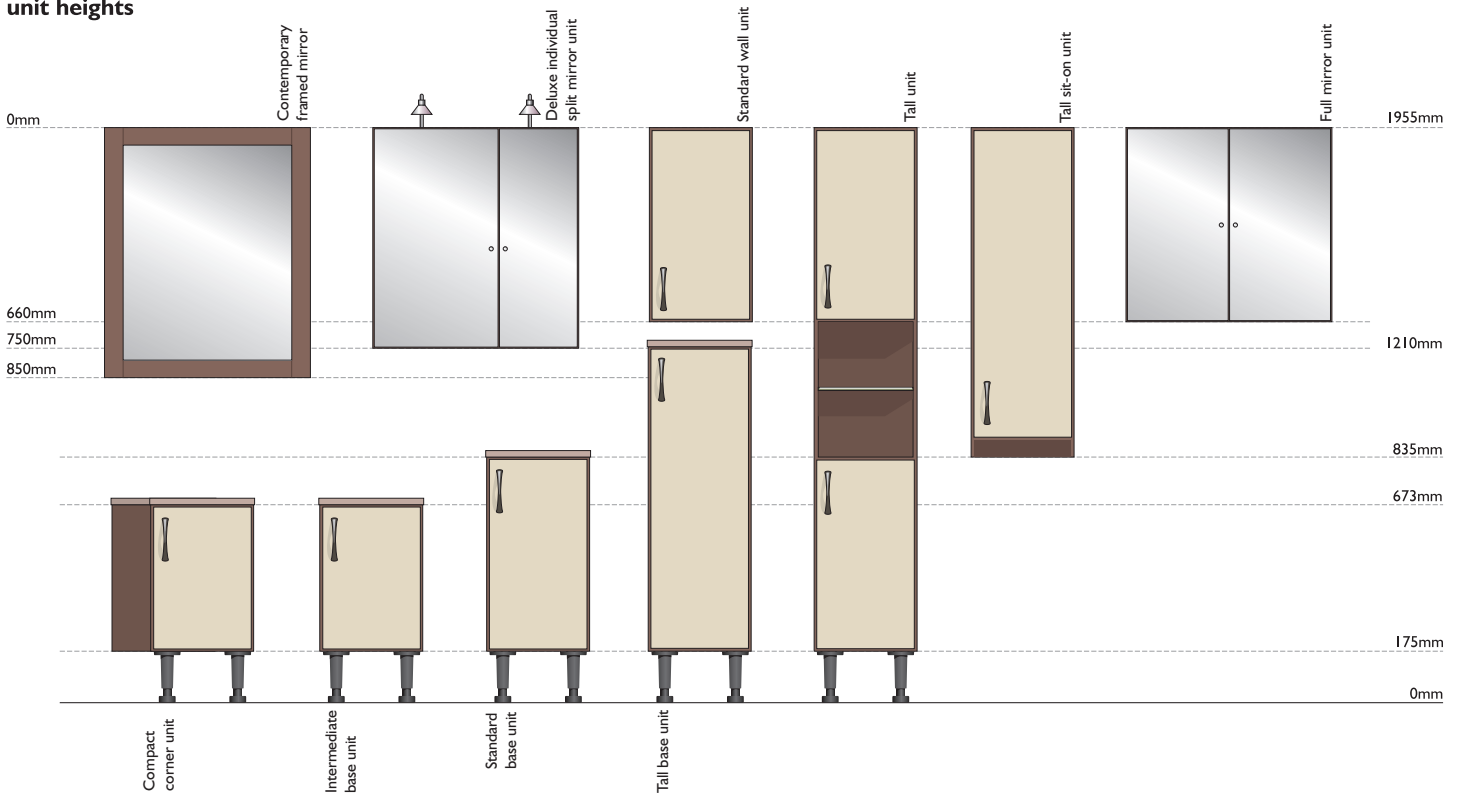
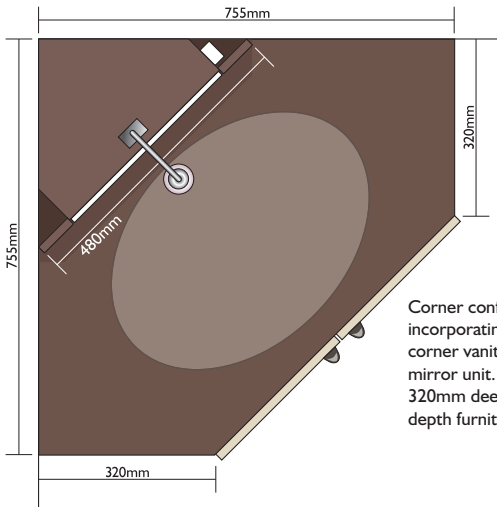


FITTED FURNITURE SPECIFICATION

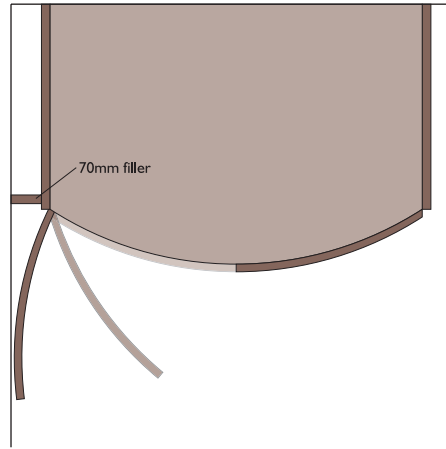
unit heights



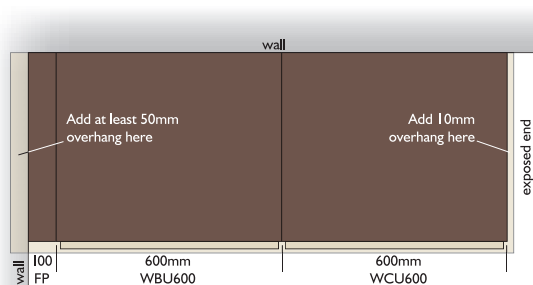
corner configurations



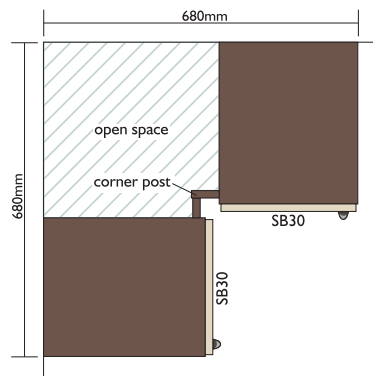
Corner configuration incorporating a double door corner vanity unit and a corner mirror unit. DCV gables are 320mm deep to allow standard depth furniture to run off.



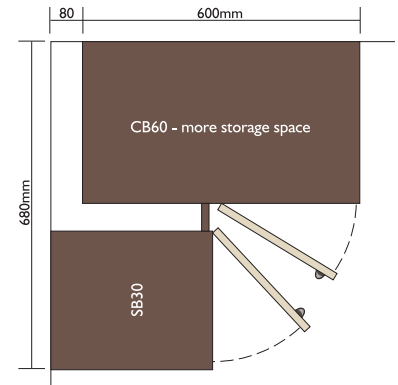
When installing a contoured unit against a returning wall please use at least a 70mm filler to ensure that the door can open fully. If a filler can not be used or the unit has to be installed next to a bath, the unit door will not be able to open fully, however, this will not unreasonably restrict access to the unit.



When ordering worktops, please ensure after calculating the overall required length that you add 10mm for each exposed end to allow for an overhang, and a minimum of 50mm for each end that needs to be scribed to a wall.

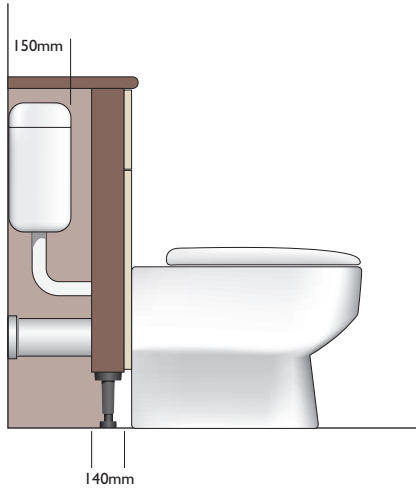


Corner configuration incorporating a corner post – storage space is lost, but this method is useful when pipework or boxing-in will not allow the use of a corner base.

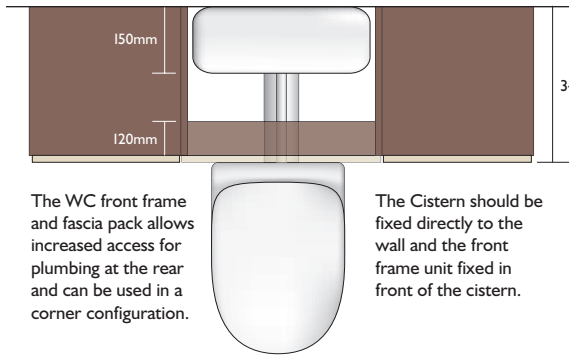
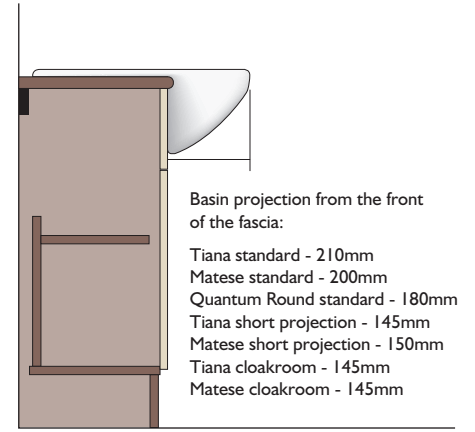
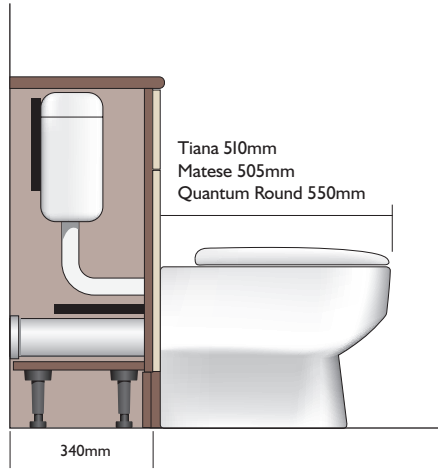


Corner configuration using a left handed corner base unit. This option offers more storage space.

WC front frame and fascia pack

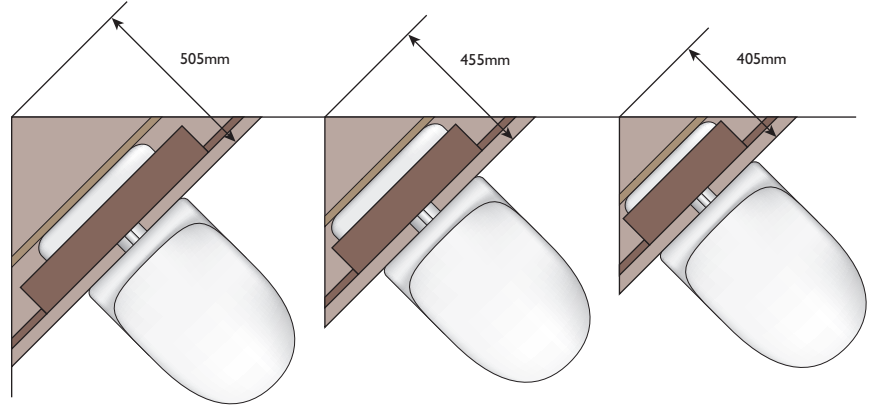


sanitaryware



The WC front frame and fascia pack allows increased access for plumbing at the rear and can be used in a corner configuration.

The Cistern should be fixed directly to the wall and the front frame unit fixed in front of the cistern.

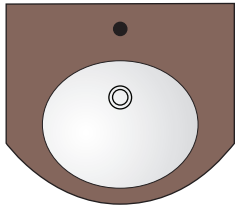


PBFFWCU 70
Worktop length - 1050mm

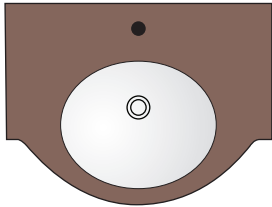
PBFFWCU 60
Worktop length - 950mm

PBFFWCU 50
Worktop length - 850mm

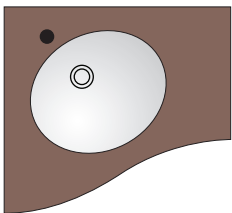
Contoured Unit 600mm wide
Inset Basin
W425 x D340mm



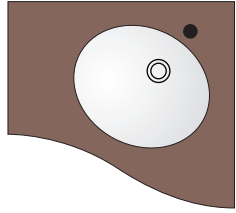
Contoured Unit 700mm wide
Inset Basin
W425 x D340mm



Wave Unit LH 600mm wide
Inset Basin
W420 x D300mm

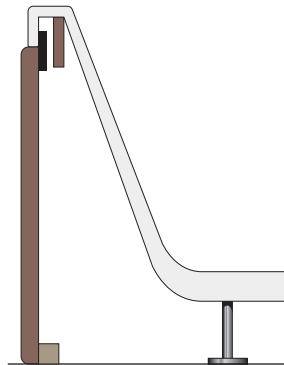


Wave Unit RH 600mm wide
Inset Basin
W420 x D300mm

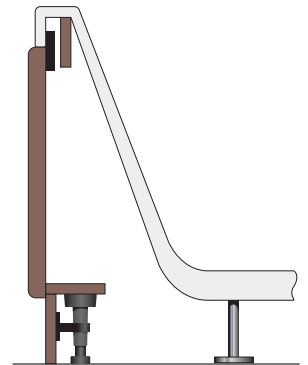


these four diagrams are 1:20 scale

bath panels

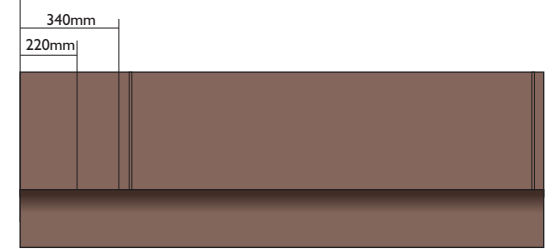


Standard bath panel



Deluxe bath panel with plinth

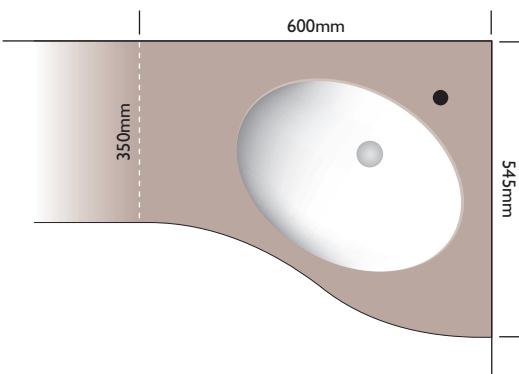
offset bath panels



Claudia offset bath panel



Hanna offset bath panel



Space Saving Wave unit

To be used with a solid surface inset basin.
Left or right handed.
Both 340mm and 535mm deep units can join onto this unit.