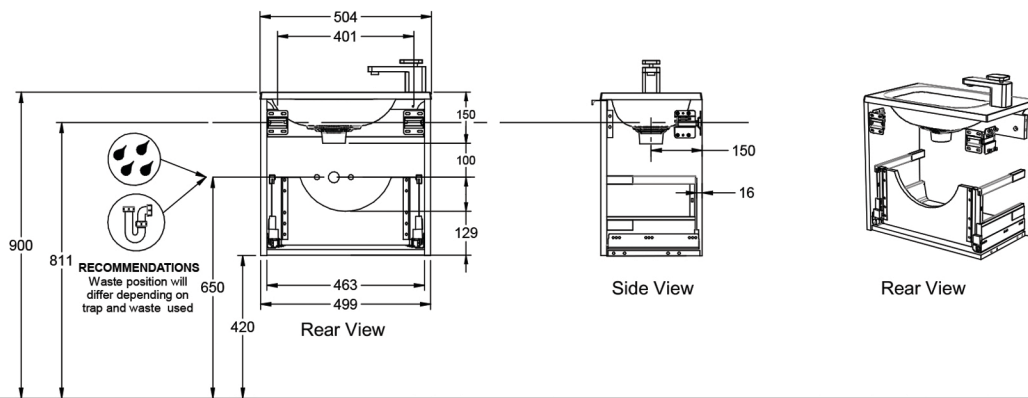
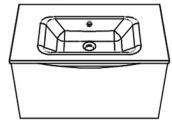


CLOAKROOM WBU

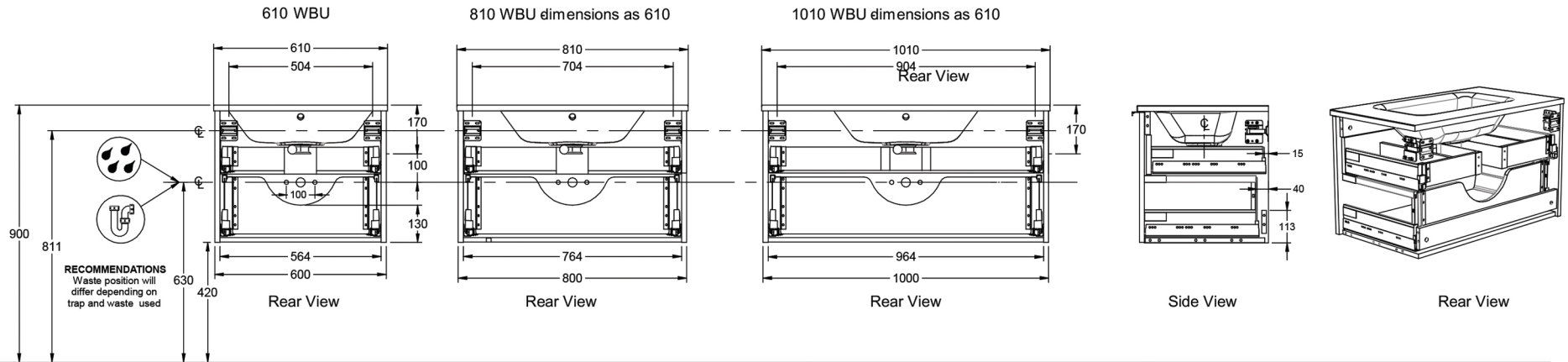
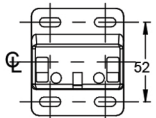


For key dimension purposes only, images may vary

WASHBASIN UNIT



Wall Bracket Dimensions



Please read instructions before starting.

- Note: - Water feed and waste positions are for **RECOMMENDATIONS** only and will differ dependant on fittings used.
- All electrical connections where required need to be installed by a qualified electrician.
- Discuss with your electrician any electrical position requirements for wall-hung cabinets where required.

Care & Maintenance.

- Ensure bathroom is well ventilated.
- Clean furniture with warm water or a PH neutral cleaner with a soft clean cloth.
- Do not use abrasive cloths.
- Under no circumstances should solvent cleaning agents (such as nitro-based thinners, acetone, nail polish remover or similar products be used).