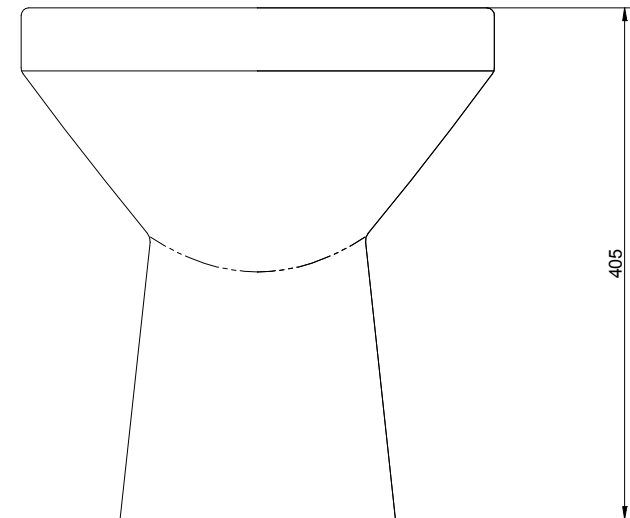
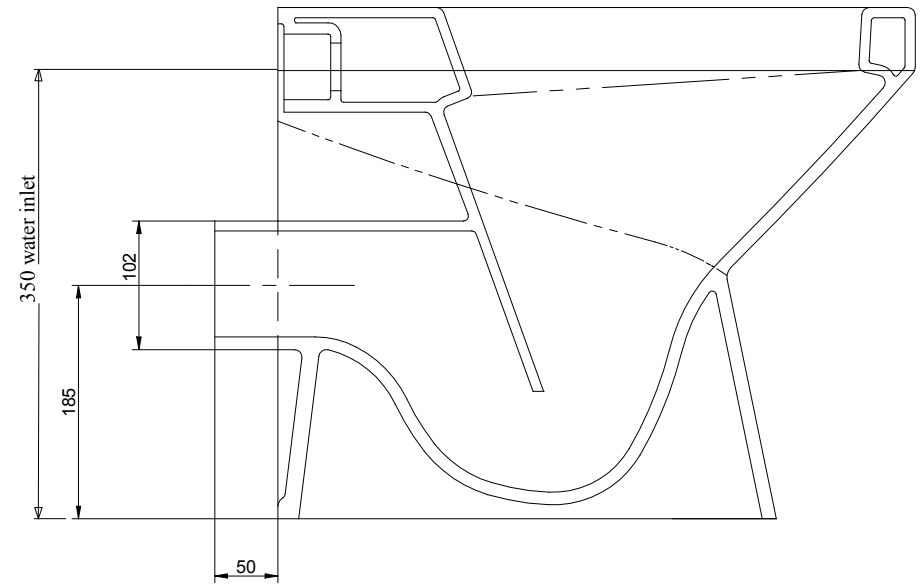
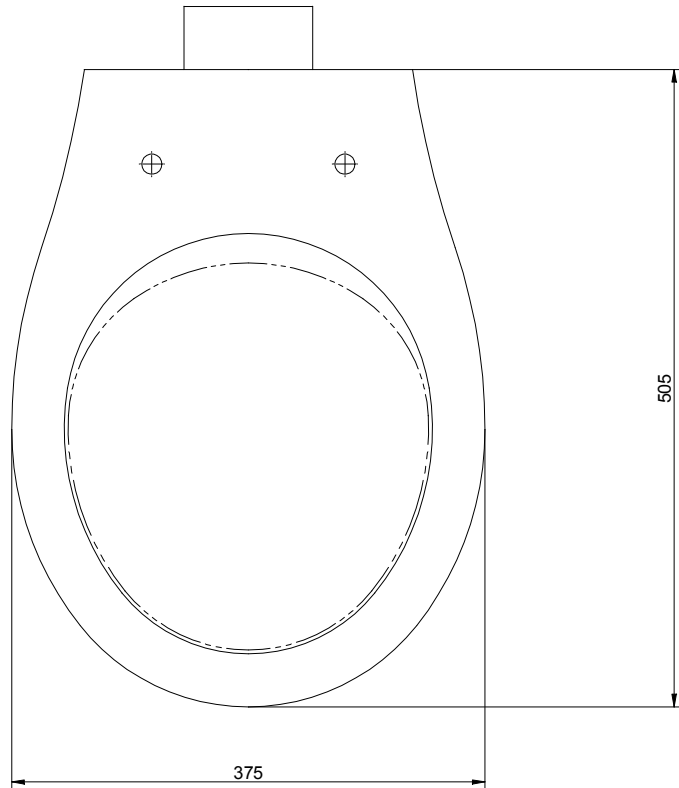


Matese Back To Wall WC Pan



Bathroom Perfection

Please read instructions before starting

- Note: - Water feed and waste positions are for RECOMMENDATIONS only and will differ dependant on fittings used.

© Utopia Furniture Limited

No part of this publication may be reproduced or transmitted in any form or by any means electronic or mechanical, including photocopying, recordings or otherwise stored in any retrieval of any nature without written permission of the copyright owner.

Care & Maintenance

- Ensure bathroom is well ventilated.
- Clean furniture with warm water or a PH neutral cleaner with a soft clean cloth.
- Do not use abrasive cloths.
- Under no circumstances should solvent cleaning agents (such as nitro-based thinners, acetone, nail polish remover or similar products be used).