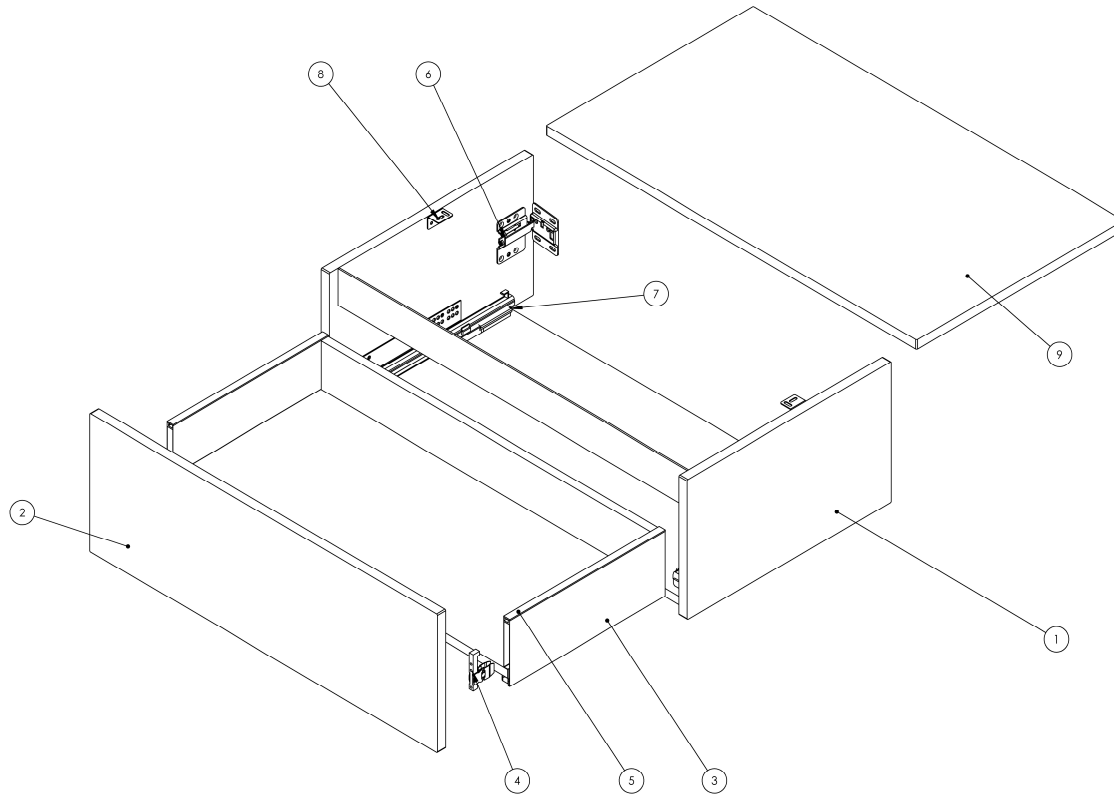


**HEYU/GEO | 800 STORAGE – PUSH TO OPEN**

**HYS039/\*\*\*, HYL039/\*\*\*, HYW039/\*\*\*, HYR039/\*\*\***



Number	Part Code	Part Description
1	CA0994	800 STORAGE UNIT - PUSH - CARCASS ONLY
2	DF0231	DRAWER FRONT 760 X 260
3	SUB.DX109	764 X 350 X 139 DRAWER BOX
4	800.DRB.00073	AVT YOU FRONT CONN. 139MM KNOCK IN
5	800.DRB.00072	DRAWER DESIGN PROFILE 350MM ANTHRACITE
6	800.FIT.00029	CAB HANGER DOWEL PLATE KIT
7	800.DRB.90001	DRAWER V6 LH & RH RUNNER 350MM 30KG KIT
8	800.FIT.00101	ANGLE BRACKET 20MM X 20MM
9	WT0219	810 X 453 X 18 PRESSED WORKTOP

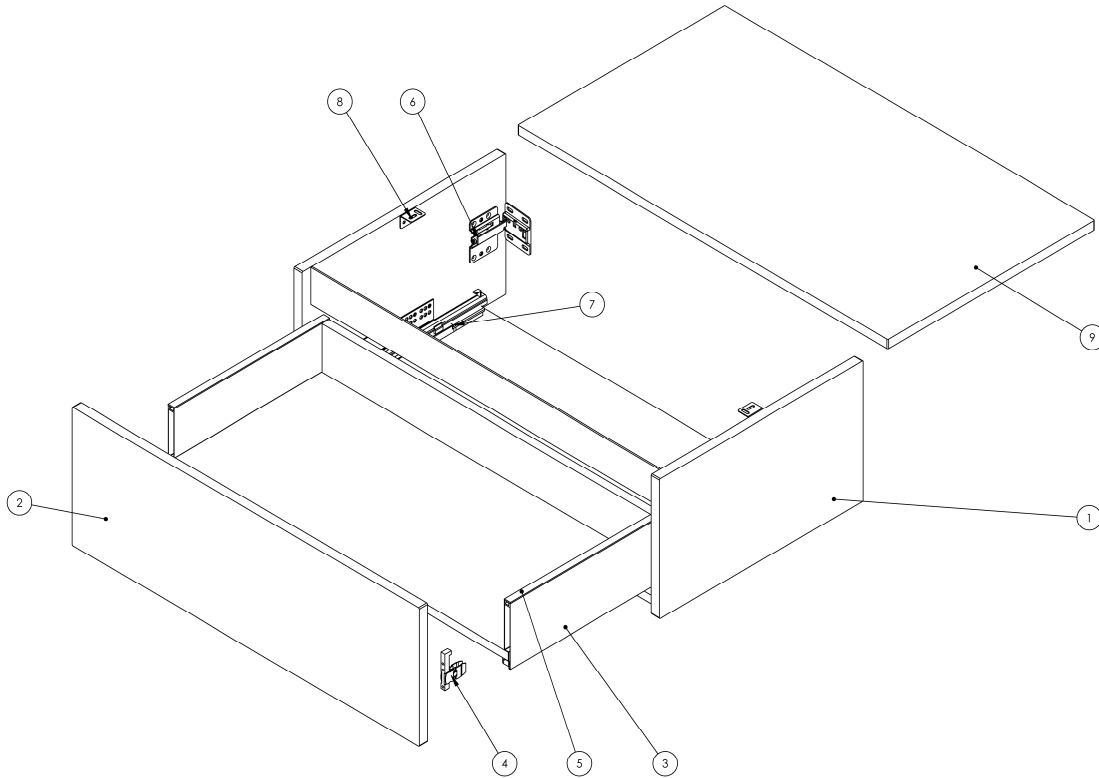
Where applicable please note when ordering unit frontage's or carcasses, the style and colour will need to be specified.

**Additional Documentation**

Additional Documentation available on our website [www.utopiagroup.com](http://www.utopiagroup.com).

**HEYU/GEO | 800 STORAGE - PULL**

**HYS038/\*\*\*, HYL038/\*\*\*, HYW038/\*\*\*, HYR038/\*\*\***

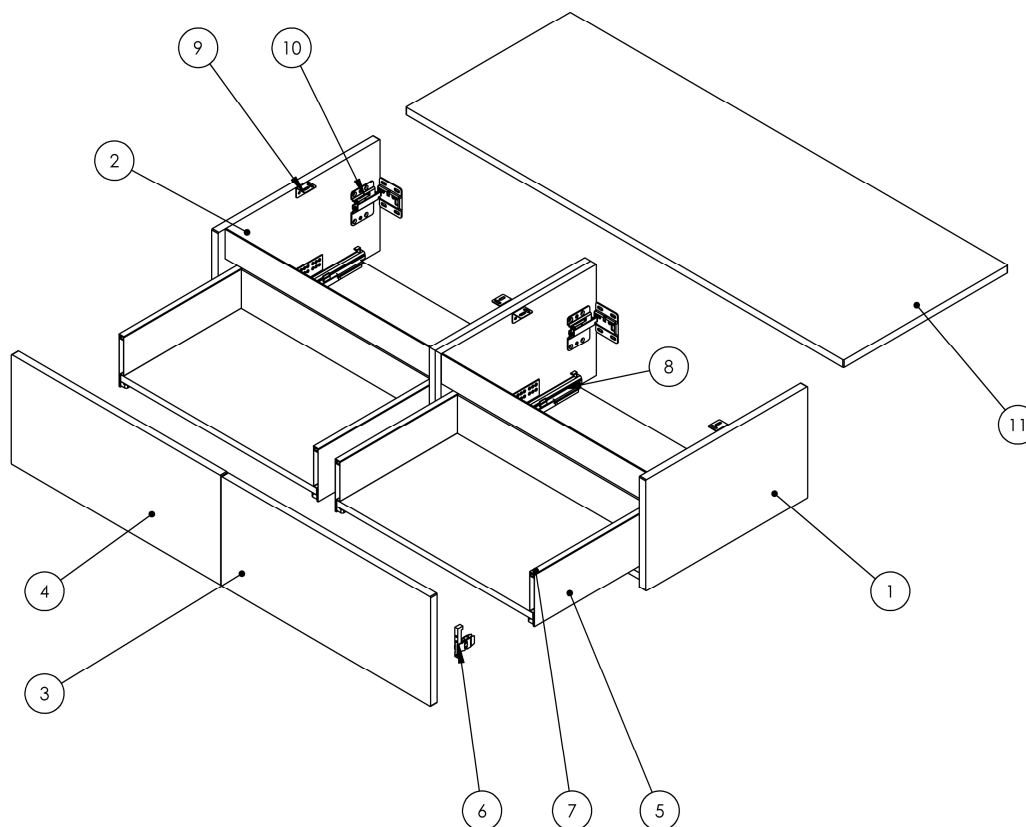


Number	Part Code	Part Description
1	CA0994	800 STORAGE UNIT - PUSH - CARCASS ONLY
2	DF0231	DRAWER FRONT 760 X 260
3	SUB.DX109	764 X 350 X 139 DRAWER BOX
4	800.DRB.00073	AVT YOU FRONT CONN. 139MM KNOCK IN
5	800.DRB.00072	DRAWER DESIGN PROFILE 350MM ANTHRACITE
6	800.FIT.00029	CAB HANGER DOWEL PLATE KIT
7	800.DRB.90001	DRAWER V6 LH & RH RUNNER 350MM 30KG KIT
8	800.FIT.00101	ANGLE BRACKET 20MM X 20MM
9	WT0219	810 X 453 X 18 PRESSED WORKTOP

Where applicable please note when ordering unit frontage's or carcasses, the style and colour will need to be specified.

**Additional Documentation**

Additional Documentation available on our website [www.utopiagroup.com](http://www.utopiagroup.com).

**HEYU/GEO | 1200 STORAGE - PUSH TO OPEN****HYS041/\*\*\*, HYL041/\*\*\*, HYW041/\*\*\*, HYR041/\*\*\***

Number	Part Code	Part Description
1	CA0995	LH 600 STORAGE UNIT - PULL - CARCASS ONLY
2	CA0996	RH 600 STORAGE UNIT - PULL - CARCASS ONLY
3	DF0220	DRAWER FRONT LH 577 X 261
4	DF0221	DRAWER FRONT RH 577 X 261
5	SUB.DX108	564 X 350 X 139 DRAWER BOX
6	800.DRB.00073	AVT YOU FRONT CONN. 139MM KNOCK IN
7	800.DRB.00072	DRAWER DESIGN PROFILE 350MM ANTHRACITE
8	800.DRB.90001	DRAWER V6 LH & RH RUNNER 350MM 30KG KIT
9	800.FIT.00029	ANGLE BRACKET 20MM X 20MM
10	800.FIT.00029	CAB HANGER DOWEL PLATE KIT
11	WT0220	1206 X 453 X 18 PRESSED WORKTOP

Where applicable please note when ordering unit frontage's or carcasses, the style and colour will need to be specified.

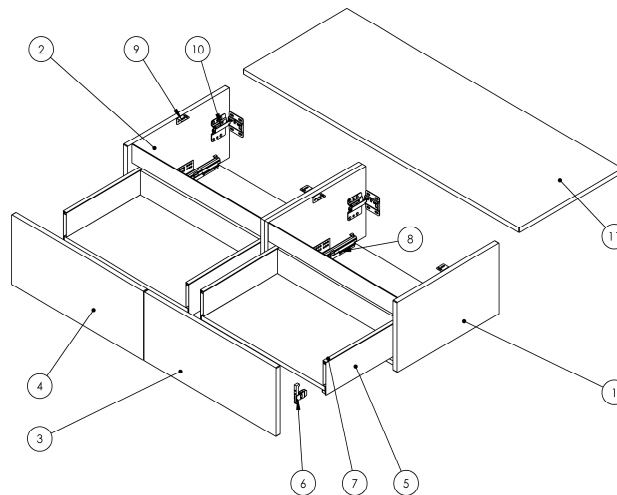
**Additional Documentation**

Additional Documentation available on our website [www.utopiagroup.com](http://www.utopiagroup.com).

Every effort has been made to ensure that the information provided on this document is correct at the time of creation. Finally, Utopia Furniture Ltd reserve the right to alter materials and specifications in line with continuing programme of production and service development.

**HEYU/GEO | 1200 TWIN STORAGE WBU - PULL**

**HYS040/\*\*\*, HYL040/\*\*\*, HYW040/\*\*\*, HYR040/\*\*\***



Number	Part Code	Part Description
1	CA0995	LH 600 STORAGE UNIT - PULL - CARCASS ONLY
2	CA0996	RH 600 STORAGE UNIT - PULL - CARCASS ONLY
3	DF0220	DRAWER FRONT LH 577 X 261
4	DF0221	DRAWER FRONT RH 577 X 261
5	SUB.DX109	564 X 350 X 139 DRAWER BOX
6	800.DRB.00073	AVT YOU FRONT CONN. 139MM KNOCK IN
7	800.DRB.00072	DRAWER DESIGN PROFILE 350MM ANTHRACITE
8	800.DRB.90001	DRAWER V6 LH & RH RUNNER 350MM 30KG KIT
9	800.FIT.00029	ANGLE BRACKET 20MM X 20MM
10	800.FIT.00029	CAB HANGER DOWEL PLATE KIT
11	WT0220	1206 X 453 X 18 PRESSED WORKTOP

Where applicable please note when ordering unit frontage's or carcasses, the style and colour will need to be specified.

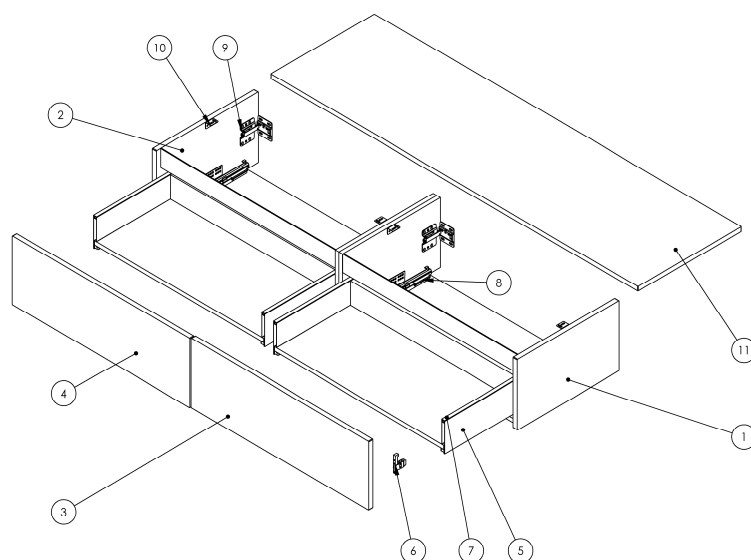
**Additional Documentation**

Additional Documentation available on our website [www.utopiagroup.com](http://www.utopiagroup.com).

Every effort has been made to ensure that the information provided on this document is correct at the time of creation. Finally, Utopia Furniture Ltd reserve the right to alter materials and specifications in line with continuing programme of production and service development.

**HEYU/GEO | 1600 TWIN STORAGE – PUSH TO OPEN**

**HYS043/\*\*\*, HYL043/\*\*\*, HYW043/\*\*\*, HYR043/\*\*\***



Number	Part Code	Part Description
1	CA0997	LH 800 STORAGE UNIT - PUSH - CARCASS ONLY
2	CA0998	RH 800 STORAGE UNIT - PUSH - CARCASS ONLY
3	DF0228	DRAWER FRONT LH 777 X 261
4	DF0229	DRAWER FRONT RH 777 X 261
5	SUB.DX109	764 X 350 X 139 DRAWER BOX
6	800.DRB.00073	AVT YOU FRONT CONN. 139MM KNOCK IN
7	800.DRB.00072	DRAWER DESIGN PROFILE 350MM ANTHRACITE
8	800.DRB.90001	DRAWER V6 LH & RH RUNNER 350MM 30KG KIT
9	800.FIT.00029	ANGLE BRACKET 20MM X 20MM
10	800.FIT.00029	CAB HANGER DOWEL PLATE KIT
11	WT0221	1606 X 453 X 18 PRESSED WORKTOP

Where applicable please note when ordering unit frontage's or carcasses, the style and colour will need to be specified.

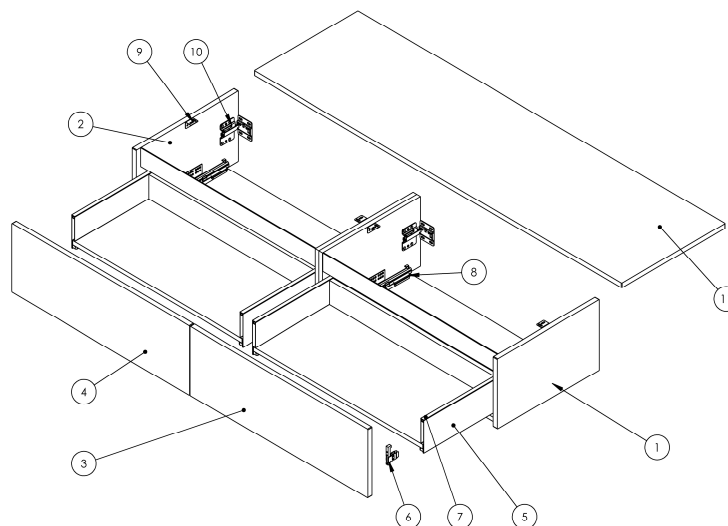
**Additional Documentation**

Additional Documentation available on our website [www.utopiagroup.com](http://www.utopiagroup.com).

Every effort has been made to ensure that the information provided on this document is correct at the time of creation. Finally, Utopia Furniture Ltd reserve the right to alter materials and specifications in line with continuing programme of production and service development.

**HEYU/GEO | 1600 TWIN STORAGE - PULL**

**HYS042/\*\*\*, HYL042/\*\*\*, HYW042/\*\*\*, HYR042/\*\*\***



Number	Part Code	Part Description
1	CA0997	LH 800 STORAGE UNIT - PUSH - CARCASS ONLY
2	CA0998	RH 800 STORAGE UNIT - PUSH - CARCASS ONLY
3	DF0228	DRAWER FRONT LH 777 X 261
4	DF0229	DRAWER FRONT RH 777 X 261
5	SUB.DX109	764 X 350 X 139 DRAWER BOX
6	800.DRB.00073	AVT YOU FRONT CONN. 139MM KNOCK IN
7	800.DRB.00072	DRAWER DESIGN PROFILE 350MM ANTHRACITE
8	800.DRB.90001	DRAWER V6 LH & RH RUNNER 350MM 30KG KIT
9	800.FIT.00029	ANGLE BRACKET 20MM X 20MM
10	800.FIT.00029	CAB HANGER DOWEL PLATE KIT
11	WT0221	1606 X 453 X 18 PRESSED WORKTOP

Where applicable please note when ordering unit frontage's or carcasses, the style and colour will need to be specified.

**Additional Documentation**

Additional Documentation available on our website [www.utopiagroup.com](http://www.utopiagroup.com).

Every effort has been made to ensure that the information provided on this document is correct at the time of creation. Finally, Utopia Furniture Ltd reserve the right to alter materials and specifications in line with continuing programme of production and service development.