

Installation Guide

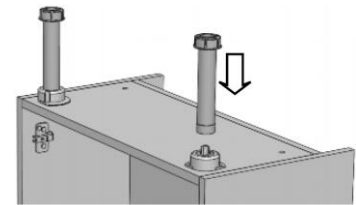
Qube Fitted 646mm Semi-Recessed Washbasin Unit

Important Information

- Read the instructions carefully.
- Check the product for any signs of damage and remove any protective film.
- It is recommended that a technically competent installer undertakes installation.
- It is the installer's responsibility to carry out a thorough assessment of the wall type and the weight of the cabinet and use appropriate fixings.
- Care should be taken when drilling walls to avoid any hidden wires or pipes.
- If the fascias are to be cut, use a saw with a fine-toothed blade ensuring that the room is well ventilated. Any cut edges should be sealed with PVA glue or silicone sealant to prevent the ingress of moisture.

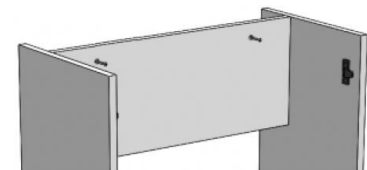
Installation

Remove the fascia panel by pulling it away from the unit. Remove the doors and shelf and turn the unit upside down. Push the legs firmly into the leg sockets.



Stand the unit back on its legs against the wall. If fitting a run of units, fix them together through the gable panels. Try to hide the fixings where possible behind shelves or hinge plates.

Adjust the legs on the units until they are level. Secure the units to the wall by drilling through the back rail and using suitable fixings for the wall type.

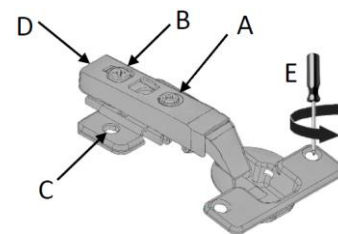


It is good practise to run a bead of silicone where the furniture meets the floor and walls.

Re-fit the shelf and doors and push the fascia panel back into place.

Door hinge adjustment

- To square the door against the cabinet, adjust screws A.
- To adjust the door closer to or further away from the cabinet, adjust screws B.
- To adjust the door vertically, slacken screws C. Re-tighten once the door is adjusted as required.
- To remove the door hinges from the cabinet, press button D.
- To remove the door hinges from the door, remove screws E.



Care & Maintenance

Furniture should be regularly dusted with a soft cotton or micro-fibre cloth. For more thorough cleaning, occasionally wipe your furniture with a soft cloth dampened with a mild detergent solution. Surfaces should be thoroughly dried with a lint free cloth to prevent watermarks. Under no circumstances should solvent cleaning agents, bleach or abrasive cleaning agents or cloths be used. Spills should be removed immediately using a clean cloth. All bathroom furniture will deteriorate through prolonged periods of exposure to high levels of condensation so bathrooms must be adequately ventilated using suitable extraction. Failure to ensure adequate ventilation may invalidate your guarantee.

Installation Guide

Qube Fitted Base Cladding Panel & Plinth

Important Information

- Read the instructions carefully.
- Check the product for any signs of damage and remove any protective film.
- It is recommended that a technically competent installer undertakes installation.
- If the cladding panels are to be cut, a fine-toothed saw should be used. Ensure that the room is well ventilated and that any cut edges are sealed with PVA glue or silicone sealant to prevent water ingress.

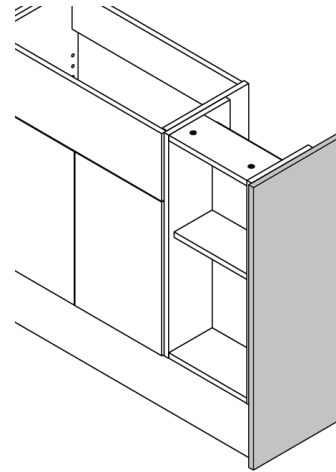
Base Cladding Panel

The base cladding panels are used to finish the end of a run of cabinets or to fill gaps between a run of units and the wall. The shaded sections in the drawings below show how these are fitted.

To install the base cladding panel on the end of a run, offer it up to the cabinet and secure it in place using screws (not supplied) from the inside of the cabinet through the gable panel.

Ensure that the screws used are the correct length for the thickness of the gable and cladding panel. Where possible, try to hide the screws behind shelves or hinge plates.

If it is required to trim the cladding panel to suit the installation, ensure that the cut edges are to the top and/or rear of the panel.



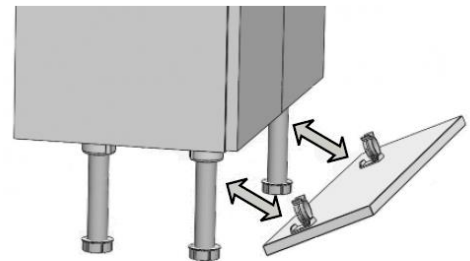
Plinth

Measure and cut the plinth to the required length.

Screw the fixing clips onto the rear of the plinth so that they line-up with the legs on the units. Note that the fixing clips and screws are supplied with the cabinets, not the plinth.

Clip the plinth onto the legs.

It is good practise to run a bead of silicone where the furniture meets the floor and walls.



Care & Maintenance

Furniture should be regularly dusted with a soft cotton or micro-fibre cloth. For more thorough cleaning, occasionally wipe your furniture with a soft cloth dampened with a mild detergent solution. Surfaces should be thoroughly dried with a lint free cloth to prevent watermarks. Under no circumstances should solvent cleaning agents, bleach or abrasive cleaning agents or cloths be used. Spills should be removed immediately using a clean cloth. All bathroom furniture will deteriorate through prolonged periods of exposure to high levels of condensation so bathrooms must be adequately ventilated using suitable extraction. Failure to ensure adequate ventilation may invalidate your guarantee.