

Installation Guide

Qube Fitted 1246mm Semi-Recessed Washbasin Unit

Utopia

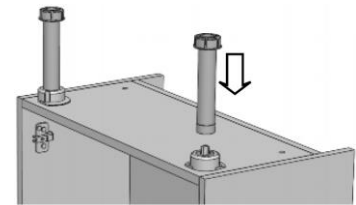
Bathroom Perfection

Important Information

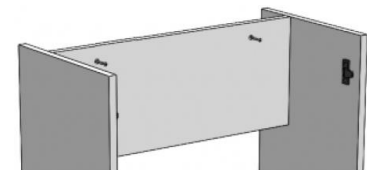
- Read the instructions carefully.
- Check the product for any signs of damage and remove any protective film.
- It is recommended that a technically competent installer undertakes installation.
- It is the installer's responsibility to carry out a thorough assessment of the wall type and the weight of the cabinet and use appropriate fixings.
- Care should be taken when drilling walls to avoid any hidden wires or pipes.
- If the fascias are to be cut, use a saw with a fine-toothed blade ensuring that the room is well ventilated. Any cut edges should be sealed with PVA glue or silicone sealant to prevent the ingress of moisture.

Installation

Remove the fascia panel by pulling it away from the unit. Remove the doors and shelf and turn the unit upside down. Push the legs firmly into the leg sockets.



Stand the unit back on its legs against the wall. If fitting a run of units, fix them together through the gable panels. Try to hide the fixings where possible behind shelves or hinge plates.



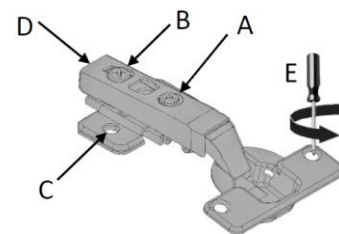
Adjust the legs on the units until they are level. Secure the units to the wall by drilling through the back rail and using suitable fixings for the wall type.

It is good practise to run a bead of silicone where the furniture meets the floor and walls.

Re-fit the shelf and doors and push the fascia panel back into place.

Door hinge adjustment

- To square the door against the cabinet, adjust screws A.
- To adjust the door closer to or further away from the cabinet, adjust screws B.
- To adjust the door vertically, slacken screws C. Re-tighten once the door is adjusted as required.
- To remove the door hinges from the cabinet, press button D.
- To remove the door hinges from the door, remove screws E.



Care & Maintenance

Furniture should be regularly dusted with a soft cotton or micro-fibre cloth. For more thorough cleaning, occasionally wipe your furniture with a soft cloth dampened with a mild detergent solution. Surfaces should be thoroughly dried with a lint free cloth to prevent watermarks. Under no circumstances should solvent cleaning agents, bleach or abrasive cleaning agents or cloths be used. Spills should be removed immediately using a clean cloth. All bathroom furniture will deteriorate through prolonged periods of exposure to high levels of condensation so bathrooms must be adequately ventilated using suitable extraction. Failure to ensure adequate ventilation may invalidate your guarantee.

Installation Guide

Qube Fitted Back-To-Wall Toilet Unit

Important Information

- Read the instructions carefully.
- Check the product for any signs of damage and remove any protective film.
- It is recommended that a technically competent installer undertakes installation.
- It is the installer's responsibility to carry out a thorough assessment of the wall type and the weight of the cabinet and use appropriate fixings.
- Care should be taken when drilling walls to avoid any hidden wires or pipes.
- If the fascias are to be cut, use a saw with a fine-toothed blade ensuring that the room is well ventilated. Any cut edges should be sealed with PVA glue or silicone sealant to prevent the ingress of moisture.

Installation

Remove the top fascia panel first by pulling it away from the cabinet. Remove the lower fascia by lifting it upwards. Turn the unit upside down. Push the legs firmly into the leg sockets.

Stand the unit back on its legs against the wall. If fitting a run of units, fix them together through the gable panels. Try to hide the fixings where possible behind shelves or hinge plates. Adjust the legs on the units until they are level.

To secure the toilet unit against the wall, screw the stretcher plates to the gables of the cabinet. Ensure that the screws used are suitable for the thickness of the cabinet.

Mark the position of the holes in the stretcher plates on the wall. Drill the positions marked with a suitable drill bit. Fasten the unit in position through the stretcher plates using fixings suitable for the wall type.

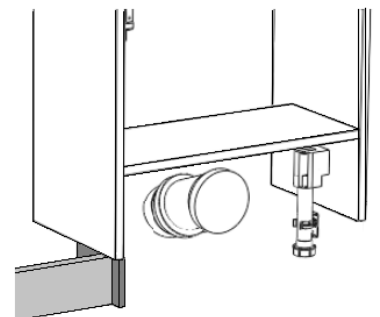
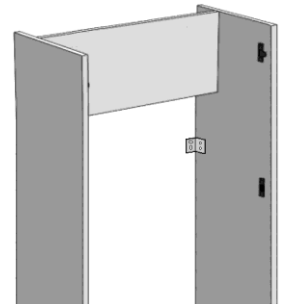
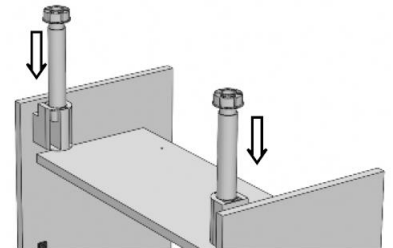
Replace the panels on the toilet unit, fitting the lower fascia first.

If you are fitting a toilet unit to a run of units, the plinth should end at the gable of the toilet unit. Screw an offcut to the end of the plinth to finish the joint between the lower fascia panel and the plinth. Fit the plinth to the legs using the clips and screws provided.

It is good practise to run a bead of silicone where the furniture meets the floor and walls.

Care & Maintenance

Furniture should be regularly dusted with a soft cotton or micro-fibre cloth. For more thorough cleaning, occasionally wipe your furniture with a soft cloth dampened with a mild detergent solution. Surfaces should be thoroughly dried with a lint free cloth to prevent watermarks. Under no circumstances should solvent cleaning agents, bleach or abrasive cleaning agents or cloths be used. Spills should be removed immediately using a clean cloth. All bathroom furniture will deteriorate through prolonged periods of exposure to high levels of condensation so bathrooms must be adequately ventilated using suitable extraction. Failure to ensure adequate ventilation may invalidate your guarantee.



Installation Guide

Qube Fitted Base Cladding Panel

Important Information

- Read the instructions carefully.
- Check the product for any signs of damage and remove any protective film.
- It is recommended that a technically competent installer undertakes installation.
- If the cladding panels are to be cut, a fine-toothed saw should be used. Ensure that the room is well ventilated and that any cut edges are sealed with PVA glue or silicone sealant to prevent water ingress.

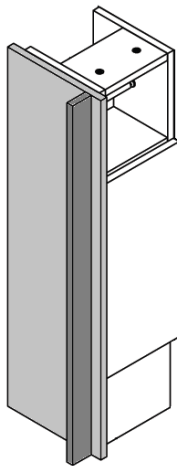
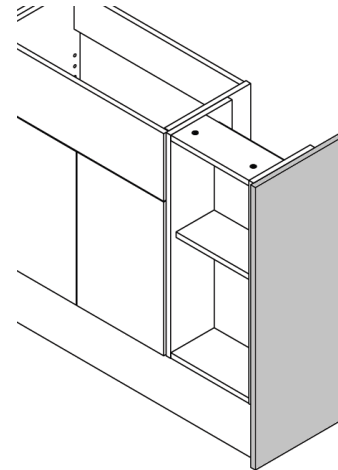
Installation

The base cladding panels are used to finish the end of a run of cabinets or to fill gaps between a run of units and the wall. The shaded sections in the drawings below show how these are fitted.

To install the base cladding panel on the end of a run, offer it up to the cabinet and secure it in place using screws (not supplied) from the inside of the cabinet through the gable panel.

Ensure that the screws used are the correct length for the thickness of the gable and cladding panel. Where possible, try to hide the screws behind shelves or hinge plates.

If it is required to trim the cladding panel to suit the installation, ensure that the cut edges are to the top and/or rear of the panel.



To install the base cladding panel to fill a gap between a run of units and a wall, measure and cut the panel to the required size.

Use an offcut of the panel to act as a filler between the wall and the cladding panel (shown here as dark grey). Ensure all cut edges will be hidden from view when fitted.

Screw the filler panel to the cladding panel using suitable screws (not supplied). The cladding panel can then be secured in place using screws from the inside of the cabinet through the gable panel. Ensure that the screws used are the correct length for the thickness of the gable and cladding panel. Where possible, try to hide the screws behind shelves or hinge plates.

It is good practise to run a bead of silicone where the furniture meets the floor and walls.

Care & Maintenance

Furniture should be regularly dusted with a soft cotton or micro-fibre cloth. For more thorough cleaning, occasionally wipe your furniture with a soft cloth dampened with a mild detergent solution. Surfaces should be thoroughly dried with a lint free cloth to prevent watermarks. Under no circumstances should solvent cleaning agents, bleach or abrasive cleaning agents or cloths be used. Spills should be removed immediately using a clean cloth. All bathroom furniture will deteriorate through prolonged periods of exposure to high levels of condensation so bathrooms must be adequately ventilated using suitable extraction. Failure to ensure adequate ventilation may invalidate your guarantee.