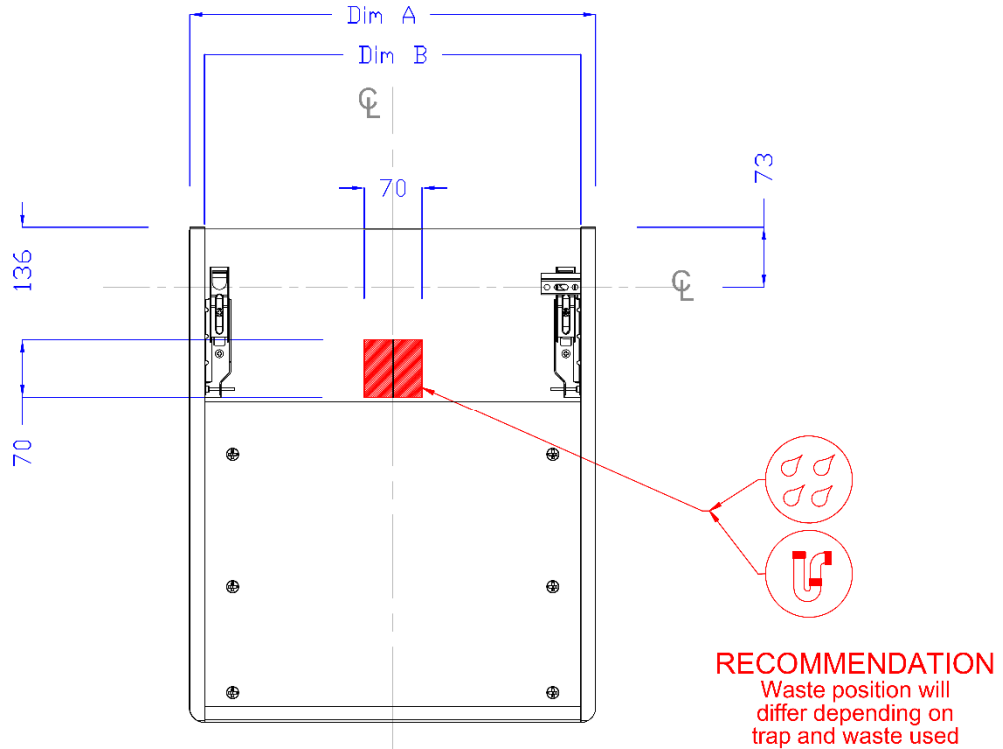


**CHIC | CLOAKROOM UNIT**

**CHC001/\*\*\*, CHC002/\*\*\*, CHC003/\*\*\*, CHC004/\*\*\***



**RECOMMENDATION**  
Waste position will differ depending on trap and waste used

Product Code	Dim A	Dim B
CHC001/***, CHC002/***, CHC003/*** & CHC004/***	500mm	464mm

All dimension in mm. Please check dimensions prior to installation as they can vary due to manufacturing tolerances.

**Additional Documentation**

Additional Documentation available on our website [www.utopiagroup.com](http://www.utopiagroup.com)

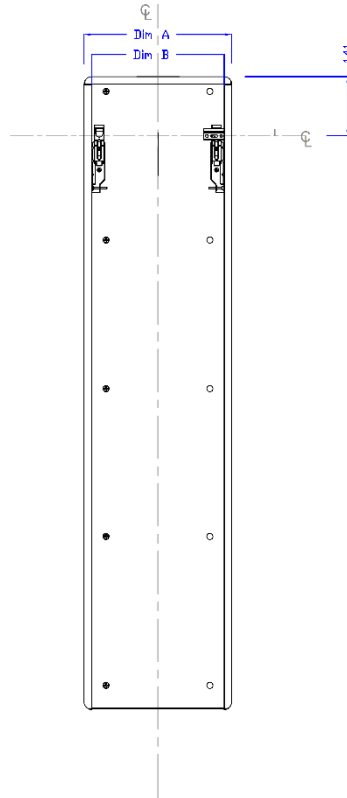
**Instructions for Use**

Please ensure all products are installed correctly in accordance with our fitting instructions and are for domestic use in a room with suitable ventilation; we highly recommend the use of an extraction fan. Utopia furniture has been specifically designed and manufactured for performance in general bathroom use. All bathroom furniture will deteriorate through prolonged periods of exposure to high levels of condensation so bathrooms must be adequately ventilated using a suitable extraction fan to avoid this. Failure to ensure adequate ventilation may invalidate your guarantee. Bathroom furniture is not specified or designed for use in areas of regular or direct contact with water, particularly in wet room environments or where direct and/or regular water contact is prevalent. Any guarantee does not extend to this use. In respect of furniture containing electrical components, these items are unsuitable for zones 0, 1 & 2 installations, unless stated in the pricelist.

Every effort has been made to ensure that the information provided on this document is correct at the time of creation. Finally, Utopia Furniture Ltd reserve the right to alter materials and specifications in line with continuing programme of production and service development.

**CHIC | TALL STORGAE UNIT**

**CHC029/\*\*\*, CHC030/\*\*\*, CHC031/\*\*\*, CHC032/\*\*\***



Product Code	Dim A	Dim B
CHC029/***, CHC030/***, CHC031/*** & CHC032/***	350mm	314mm

All dimension in mm. Please check dimensions prior to installation as they can vary due to manufacturing tolerances.

**Additional Documentation**

Additional Documentation available on our website [www.utopiagroup.com](http://www.utopiagroup.com)

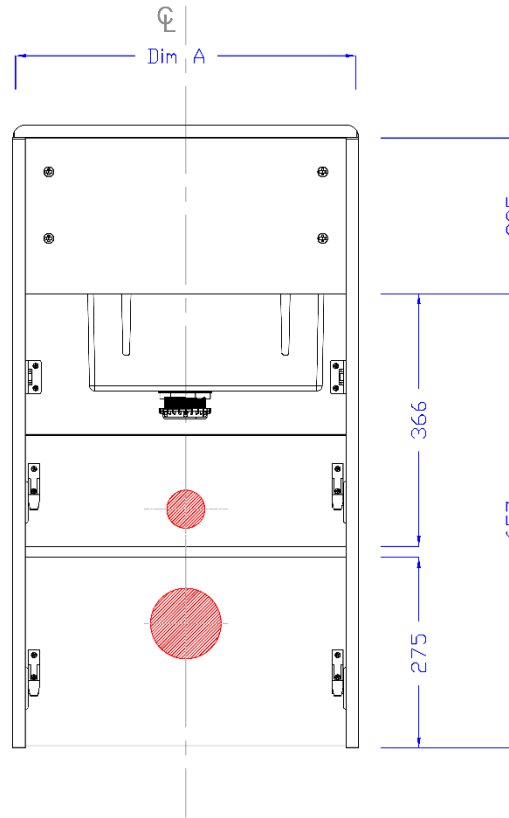
**Instructions for Use**

Please ensure all products are installed correctly in accordance with our fitting instructions and are for domestic use in a room with suitable ventilation; we highly recommend the use of an extraction fan. Utopia furniture has been specifically designed and manufactured for performance in general bathroom use. All bathroom furniture will deteriorate through prolonged periods of exposure to high levels of condensation so bathrooms must be adequately ventilated using a suitable extraction fan to avoid this. Failure to ensure adequate ventilation may invalidate your guarantee. Bathroom furniture is not specified or designed for use in areas of regular or direct contact with water, particularly in wet room environments or where direct and/or regular water contact is prevalent. Any guarantee does not extend to this use. In respect of furniture containing electrical components, these items are unsuitable for zones 0, 1 & 2 installations, unless stated in the pricelist.

Every effort has been made to ensure that the information provided on this document is correct at the time of creation. Finally, Utopia Furniture Ltd reserve the right to alter materials and specifications in line with continuing programme of production and service development.

**CHIC | TOILET UNIT**

**CHC033/\*\*\*, CHC034/\*\*\*, CHC035/\*\*\*, CHC036/\*\*\***



Product Code	Dim A
CHC033/*** (Exc Cistem)	500mm
CHC035/***	500mm
CHC034/*** (Exc Cistem)	600mm
CHC036/***	600mm

All dimension in mm. Please check dimensions prior to installation as they can vary due to manufacturing tolerances.

**Additional Documentation**

Additional Documentation available on our website [www.utopiagroup.com](http://www.utopiagroup.com)

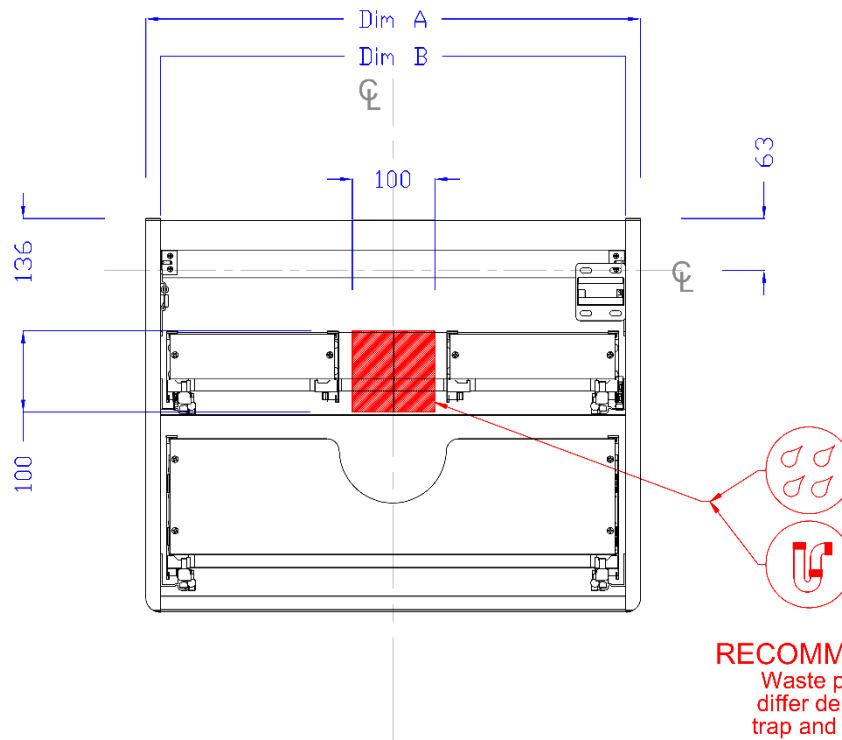
**Instructions for Use**

Please ensure all products are installed correctly in accordance with our fitting instructions and are for domestic use in a room with suitable ventilation; we highly recommend the use of an extraction fan. Utopia furniture has been specifically designed and manufactured for performance in general bathroom use. All bathroom furniture will deteriorate through prolonged periods of exposure to high levels of condensation so bathrooms must be adequately ventilated using a suitable extraction fan to avoid this. Failure to ensure adequate ventilation may invalidate your guarantee. Bathroom furniture is not specified or designed for use in areas of regular or direct contact with water, particularly in wet room environments or where direct and/or regular water contact is prevalent. Any guarantee does not extend to this use. In respect of furniture containing electrical components, these items are unsuitable for zones 0, 1 & 2 installations, unless stated in the pricelist.

Every effort has been made to ensure that the information provided on this document is correct at the time of creation. Finally, Utopia Furniture Ltd reserve the right to alter materials and specifications in line with continuing programme of production and service development.

**CHIC | WM DBL DRAWER WBU FOR SIT ON BASIN**

**CHC017/\*\*\*, CHC018/\*\*\*, CHC019/\*\*\*, CHC020/\*\*\***



**RECOMMENDATION**  
Waste position will differ depending on trap and waste used

Product Code	Dim A	Dim B
CHC017/***, CHC018/***	600mm	564mm
CHC019/***, CHC020/***	800mm	764mm

All dimension in mm. Please check dimensions prior to installation as they can vary due to manufacturing tolerances.

**Additional Documentation**

Additional Documentation available on our website [www.utopiagroup.com](http://www.utopiagroup.com)

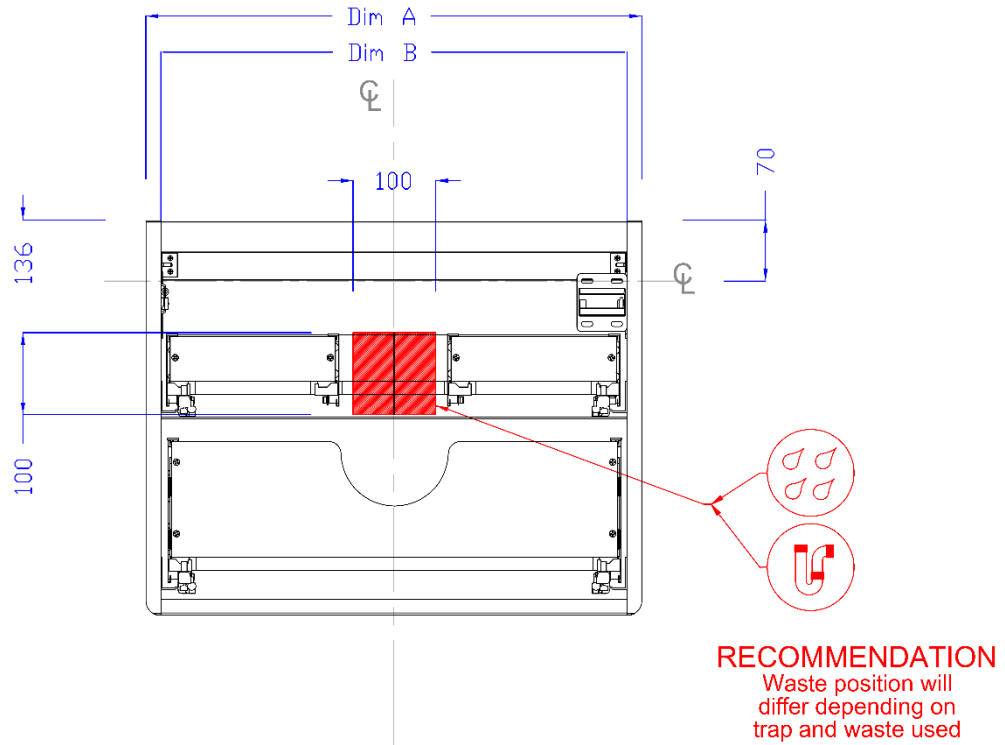
**Instructions for Use**

Please ensure all products are installed correctly in accordance with our fitting instructions and are for domestic use in a room with suitable ventilation; we highly recommend the use of an extraction fan. Utopia furniture has been specifically designed and manufactured for performance in general bathroom use. All bathroom furniture will deteriorate through prolonged periods of exposure to high levels of condensation so bathrooms must be adequately ventilated using a suitable extraction fan to avoid this. Failure to ensure adequate ventilation may invalidate your guarantee. Bathroom furniture is not specified or designed for use in areas of regular or direct contact with water, particularly in wet room environments or where direct and/or regular water contact is prevalent. Any guarantee does not extend to this use. In respect of furniture containing electrical components, these items are unsuitable for zones 0, 1 & 2 installations, unless stated in the pricelist.

Every effort has been made to ensure that the information provided on this document is correct at the time of creation. Finally, Utopia Furniture Ltd reserve the right to alter materials and specifications in line with continuing programme of production and service development.

**CHIC | WM DBL DRAWER WBU FOR SLABTOP BASIN**

**CHC013/\*\*\*, CHC014/\*\*\*, CHC015/\*\*\*, CHC016/\*\*\***



Product Code	Dim A	Dim B
CHC013/***, CHC014/***	600mm	564mm
CHC015/***, CHC016/***	800mm	764mm

All dimension in mm. Please check dimensions prior to installation as they can vary due to manufacturing tolerances.

**Additional Documentation**

Additional Documentation available on our website [www.utopiagroup.com](http://www.utopiagroup.com)

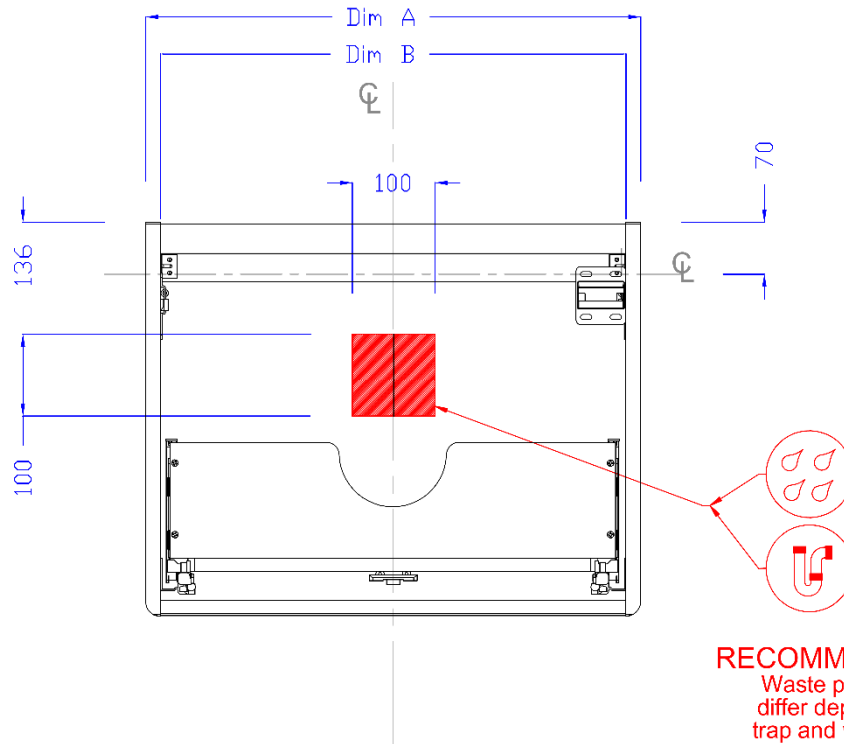
**Instructions for Use**

Please ensure all products are installed correctly in accordance with our fitting instructions and are for domestic use in a room with suitable ventilation; we highly recommend the use of an extraction fan. Utopia furniture has been specifically designed and manufactured for performance in general bathroom use. All bathroom furniture will deteriorate through prolonged periods of exposure to high levels of condensation so bathrooms must be adequately ventilated using a suitable extraction fan to avoid this. Failure to ensure adequate ventilation may invalidate your guarantee. Bathroom furniture is not specified or designed for use in areas of regular or direct contact with water, particularly in wet room environments or where direct and/or regular water contact is prevalent. Any guarantee does not extend to this use. In respect of furniture containing electrical components, these items are unsuitable for zones 0, 1 & 2 installations, unless stated in the pricelist.

Every effort has been made to ensure that the information provided on this document is correct at the time of creation. Finally, Utopia Furniture Ltd reserve the right to alter materials and specifications in line with continuing programme of production and service development.

**CHIC | WM SINGLE DRAWER WBU FOR SIT ON BASIN**

**CHC009/\*\*\*, CHC010/\*\*\*, CHC011/\*\*\*, CHC012/\*\*\***



Product Code	Dim A	Dim B
CHC009/***, CHC010/***	600mm	564mm
CHC001/***, CHC012/***	800mm	764mm

All dimension in mm. Please check dimensions prior to installation as they can vary due to manufacturing tolerances.

**Additional Documentation**

Additional Documentation available on our website [www.utopiagroup.com](http://www.utopiagroup.com)

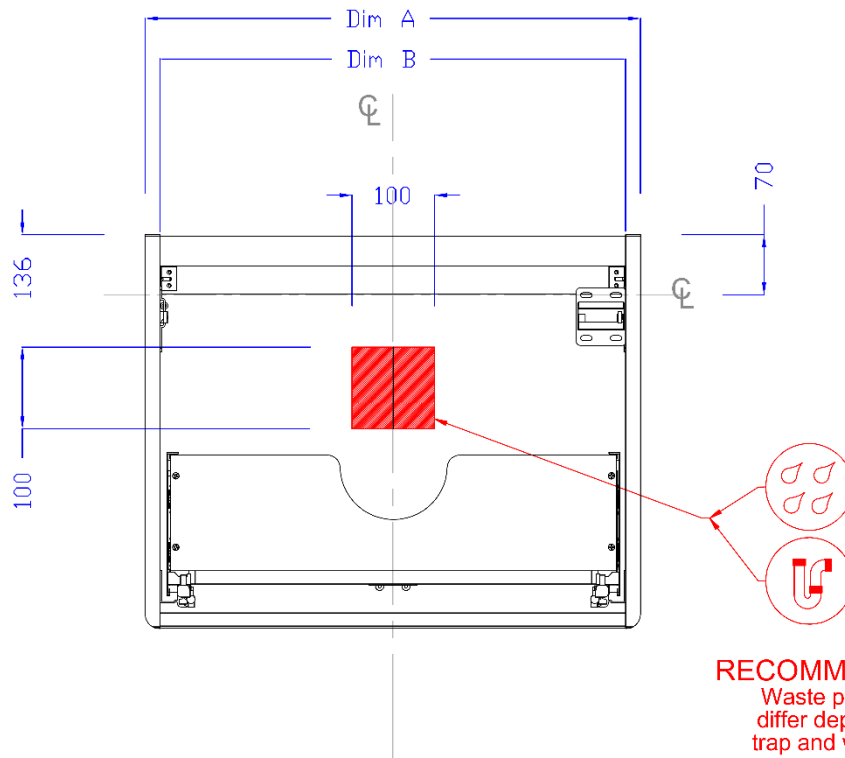
**Instructions for Use**

Please ensure all products are installed correctly in accordance with our fitting instructions and are for domestic use in a room with suitable ventilation; we highly recommend the use of an extraction fan. Utopia furniture has been specifically designed and manufactured for performance in general bathroom use. All bathroom furniture will deteriorate through prolonged periods of exposure to high levels of condensation so bathrooms must be adequately ventilated using a suitable extraction fan to avoid this. Failure to ensure adequate ventilation may invalidate your guarantee. Bathroom furniture is not specified or designed for use in areas of regular or direct contact with water, particularly in wet room environments or where direct and/or regular water contact is prevalent. Any guarantee does not extend to this use. In respect of furniture containing electrical components, these items are unsuitable for zones 0, 1 & 2 installations, unless stated in the pricelist.

Every effort has been made to ensure that the information provided on this document is correct at the time of creation. Finally, Utopia Furniture Ltd reserve the right to alter materials and specifications in line with continuing programme of production and service development.

**CHIC | WM SINGLE DRAWER WBU FOR SLABTOP BASIN**

**CHC005/\*\*\*, CHC006/\*\*\*, CHC007/\*\*\*, CHC008/\*\*\***



Product Code	Dim A	Dim A
CHC005/***, CHC006/***	600mm	564mm
CHC007/***, CHC008/***	800mm	764mm

All dimension in mm. Please check dimensions prior to installation as they can vary due to manufacturing tolerances.

**Additional Documentation**

Additional Documentation available on our website [www.utopiagroup.com](http://www.utopiagroup.com)

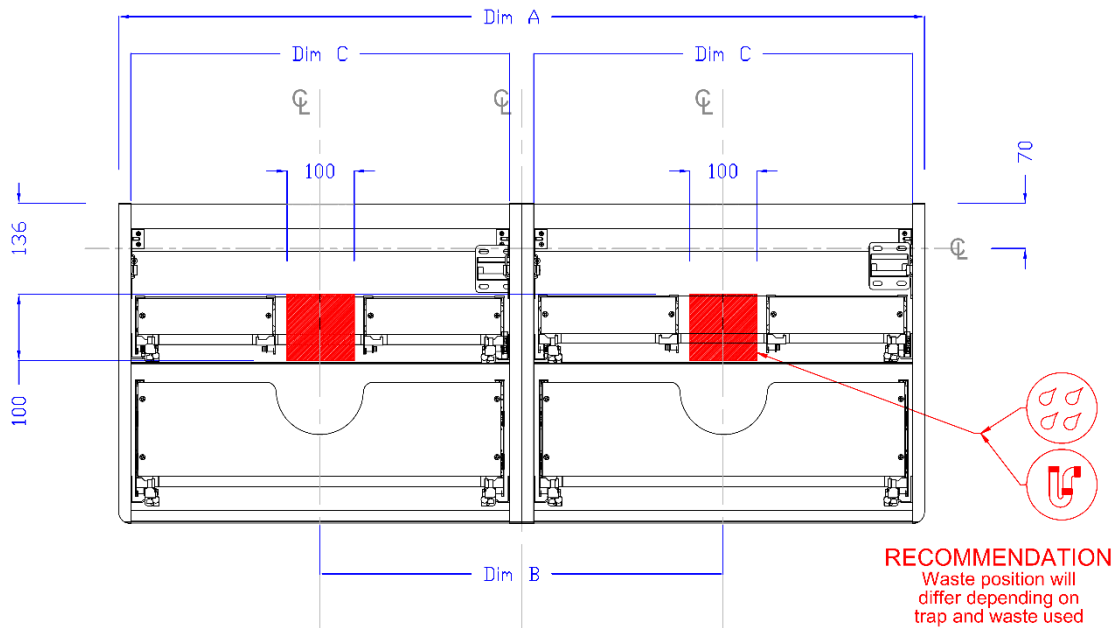
**Instructions for Use**

Please ensure all products are installed correctly in accordance with our fitting instructions and are for domestic use in a room with suitable ventilation; we highly recommend the use of an extraction fan. Utopia furniture has been specifically designed and manufactured for performance in general bathroom use. All bathroom furniture will deteriorate through prolonged periods of exposure to high levels of condensation so bathrooms must be adequately ventilated using a suitable extraction fan to avoid this. Failure to ensure adequate ventilation may invalidate your guarantee. Bathroom furniture is not specified or designed for use in areas of regular or direct contact with water, particularly in wet room environments or where direct and/or regular water contact is prevalent. Any guarantee does not extend to this use. In respect of furniture containing electrical components, these items are unsuitable for zones 0, 1 & 2 installations, unless stated in the pricelist.

Every effort has been made to ensure that the information provided on this document is correct at the time of creation. Finally, Utopia Furniture Ltd reserve the right to alter materials and specifications in line with continuing programme of production and service development.

**CHIC | WM TWIN DBL DRAWER WBU FOR SIT ON BASIN**

**CHC025/\*\*\*, CHC026/\*\*\*, CHC027/\*\*\*, CHC028/\*\*\***



Product Code	Dim A	Dim B	Dim C
CHC025/***, CHC026/***	1200mm	600mm	564mm
CHC027/***, CHC028/***	1600mm	800mm	764mm

All dimension in mm. Please check dimensions prior to installation as they can vary due to manufacturing tolerances.

**Additional Documentation**

Additional Documentation available on our website [www.utopiagroup.com](http://www.utopiagroup.com)

**Instructions for Use**

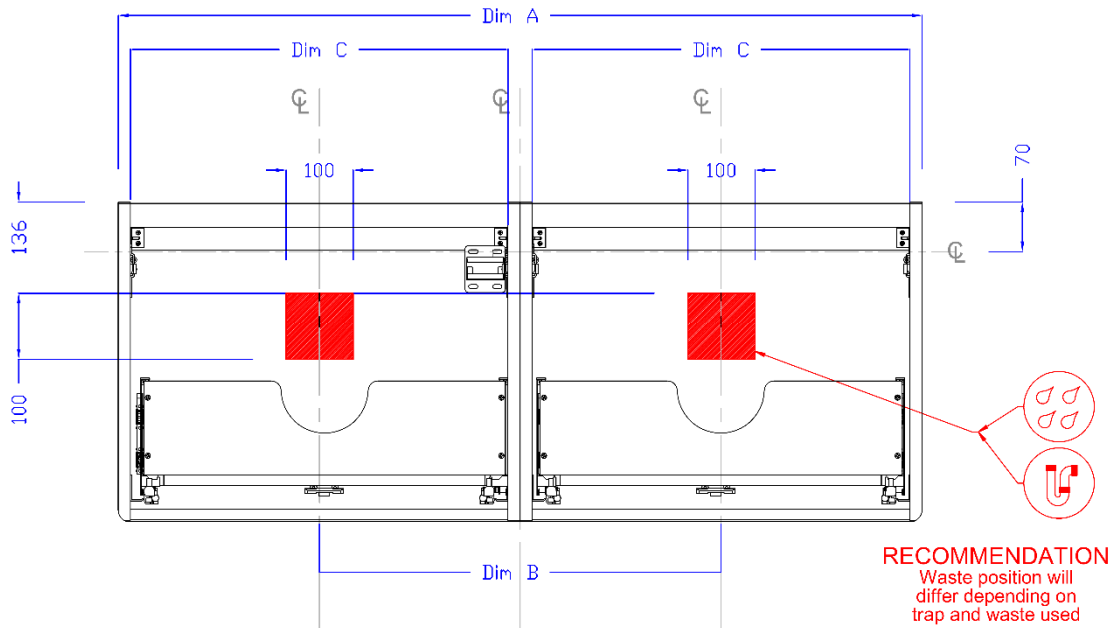
Please ensure all products are installed correctly in accordance with our fitting instructions and are for domestic use in a room with suitable ventilation; we highly recommend the use of an extraction fan. Utopia furniture has been specifically designed and manufactured for performance in general bathroom use. All bathroom furniture will deteriorate through prolonged periods of exposure to high levels of condensation so bathrooms must be adequately ventilated using a suitable extraction fan to avoid this. Failure to ensure adequate ventilation may invalidate your guarantee. Bathroom furniture is not specified or designed for use in areas of regular or direct contact with water, particularly in wet room environments or where direct and/or regular water contact is prevalent. Any guarantee does not extend to this use. In respect of furniture containing electrical components, these items are unsuitable for zones 0, 1 & 2 installations, unless stated in the pricelist.

Every effort has been made to ensure that the information provided on this document is correct at the time of creation. Finally, Utopia Furniture Ltd reserve the right to alter materials and specifications in line with continuing programme of production and service development.



**CHIC | WM TWIN SINGLE DRAWER WBU FOR SIT ON BASIN**

**CHC021/\*\*\*, CHC022/\*\*\*, CHC023/\*\*\*, CHC024/\*\*\***



Product Code	Dim A	Dim B	Dim C
CHC021/***, CHC022/***	1200mm	600mm	564mm
CHC023/***, CHC024/***	1600mm	800mm	764mm

All dimension in mm. Please check dimensions prior to installation as they can vary due to manufacturing tolerances.

**Additional Documentation**

Additional Documentation available on our website [www.utopiagroup.com](http://www.utopiagroup.com)

**Instructions for Use**

Please ensure all products are installed correctly in accordance with our fitting instructions and are for domestic use in a room with suitable ventilation; we highly recommend the use of an extraction fan. Utopia furniture has been specifically designed and manufactured for performance in general bathroom use. All bathroom furniture will deteriorate through prolonged periods of exposure to high levels of condensation so bathrooms must be adequately ventilated using a suitable extraction fan to avoid this. Failure to ensure adequate ventilation may invalidate your guarantee. Bathroom furniture is not specified or designed for use in areas of regular or direct contact with water, particularly in wet room environments or where direct and/or regular water contact is prevalent. Any guarantee does not extend to this use. In respect of furniture containing electrical components, these items are unsuitable for zones 0, 1 & 2 installations, unless stated in the pricelist.

Every effort has been made to ensure that the information provided on this document is correct at the time of creation. Finally, Utopia Furniture Ltd reserve the right to alter materials and specifications in line with continuing programme of production and service development.