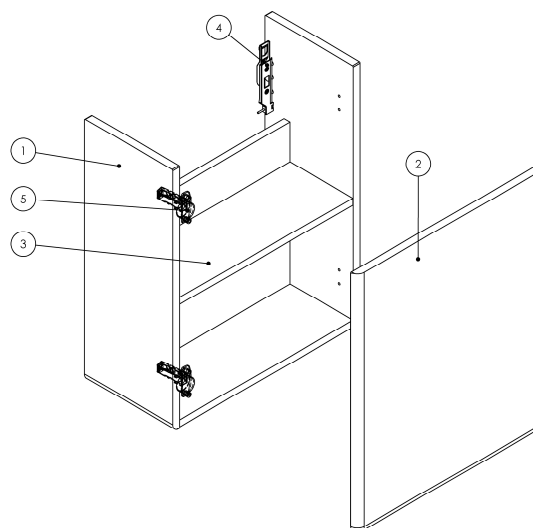


CHIC | 500MM CLOAKROOM UNIT LH - PULL

CHC001/***



Number	Part Code	Part Description
1	CA0999	500MM LH CLOAKROOM WBU - HANDLE CARCASS ONLY
2	DR0384	494 X 598 LH DOOR
3	SH0246	459 X 165 SHELF (16MM MFC)
4	800.FIT.00030	BASE WALL HANGING KIT
5	800.FIT.00109	SHALLOW CUP HINGE KIT

For products purchased prior to 9th March 2026, we kindly ask that for any remedial enquiries that you contact Utopia Customer Services on 01902 406 402 or email customersupport@utopiagroup.com for additional support and guidance.

Where applicable please note when ordering unit frontage's or carcasses, the style and colour will need to be specified.

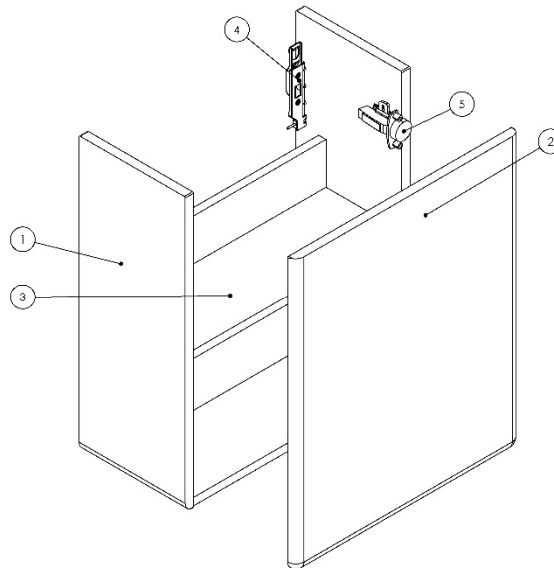
Additional Documentation

Additional Documentation available on our website www.utopiagroup.com.

Every effort has been made to ensure that the information provided on this document is correct at the time of creation. Finally, Utopia Furniture Ltd reserve the right to alter materials and specifications in line with continuing programme of production and service development.

CHIC | CHIC 500 CLOAKROOM UNIT RH - PULL

CHC002/***



Number	Part Code	Part Description
1	CA1000	500MM RH CLOAKROOM WBU – HANDLE CARCASS ONLY
2	DR0385	494 X 598 RH DOOR
3	SH0246	459 X 165 SHELF (16MM MFC)
4	800.FIT.00030	BASE WALL HANGING KIT
5	800.FIT.00109	SHALLOW CUP HINGE KIT

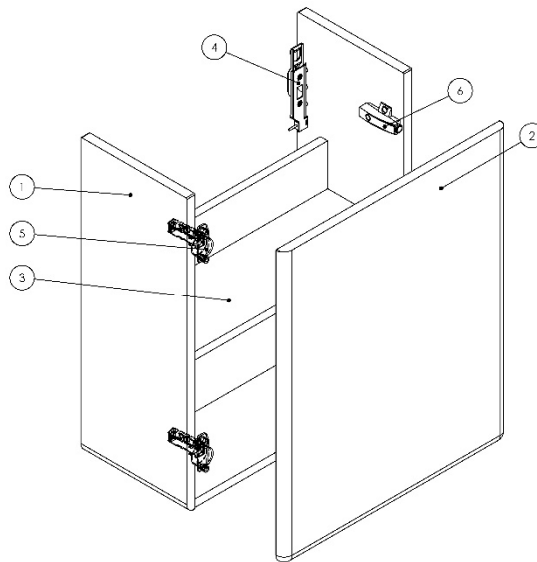
For products purchased prior to 9th March 2026, we kindly ask that for any remedial enquiries that you contact Utopia Customer Services on 01902 406 402 or email customersupport@utopiagroup.com for additional support and guidance.

Where applicable please note when ordering unit frontage's or carcasses, the style and colour will need to be specified.

Additional Documentation

Additional Documentation available on our website www.utopiagroup.com.

Every effort has been made to ensure that the information provided on this document is correct at the time of creation. Finally, Utopia Furniture Ltd reserve the right to alter materials and specifications in line with continuing programme of production and service development.



Number	Part Code	Part Description
1	CA01001	500 LH CLOAKROOM WBU - PTO CARCASS ONLY
2	DR0384	494 X 598 LH DOOR
3	SH0246	459 X 165 SHELF (16MM MFC)
4	800.FIT.00030	BASE WALL HANGING KIT
5	800.FIT.00109	SHALLOW CUP HINGE KIT
6	800.FIT.00003	TOUCH TO OPEN KIT

For products purchased prior to 9th March 2026, we kindly ask that for any remedial enquiries that you contact Utopia Customer Services on 01902 406 402 or email customersupport@utopiagroup.com for additional support and guidance.

Where applicable please note when ordering unit frontage's or carcasses, the style and colour will need to be specified.

Additional Documentation

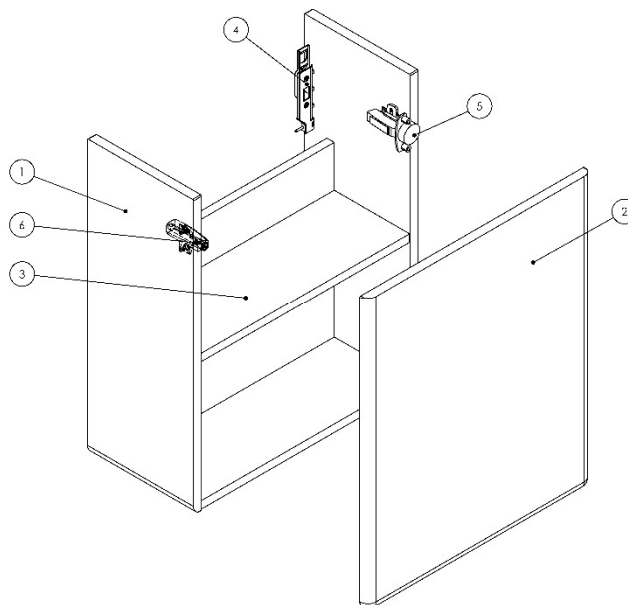
Additional Documentation available on our website www.utopiagroup.com.

Every effort has been made to ensure that the information provided on this document is correct at the time of creation. Finally, Utopia Furniture Ltd reserve the right to alter materials and specifications in line with continuing programme of production and service development.

CHIC | CHIC 500 CLOAKROOM UNIT RH - P2OPEN*

CHC004/***

*Push to Open



Number	Part Code	Part Description
1	CA1002	500MM RH CLOAKROOM WBU – HANDLE CARCASS ONLY
2	DR0385	494 X 598 RH DOOR
3	SH0246	459 X 165 SHELF (16MM MFC)
4	800.FIT.00030	BASE WALL HANGING KIT
5	800.FIT.00109	SHALLOW CUP HINGE KIT
6	800.FIT.00003	TOUCH TO OPEN KIT

For products purchased prior to 9th March 2026, we kindly ask that for any remedial enquiries that you contact Utopia Customer Services on 01902 406 402 or email customersupport@utopiagroup.com for additional support and guidance.

Where applicable please note when ordering unit frontage's or carcasses, the style and colour will need to be specified.

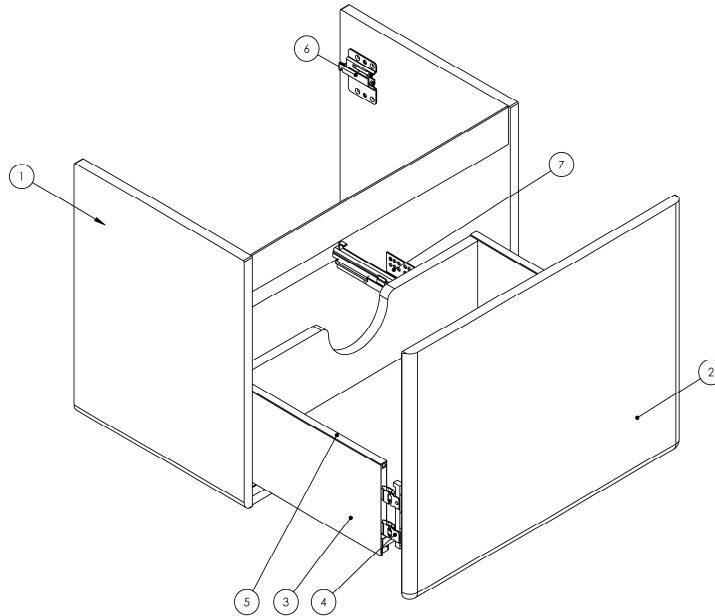
Additional Documentation

Additional Documentation available on our website www.utopiagroup.com.

Every effort has been made to ensure that the information provided on this document is correct at the time of creation. Finally, Utopia Furniture Ltd reserve the right to alter materials and specifications in line with continuing programme of production and service development.

CHIC | CHIC 600 WM SINGLE DRAWER WBU FOR SLABTOP BASIN - PULL

CHC005/***



Number	Part Code	Part Description
1	CA1011	CARCASS 600 SDU
2	DF0258	DRAWER FRONT 600 SDU
3	SUB.DX0195	559 X 350 X 187 DRAWER BOX
4	800.DRB.00076	DRAWER FRONT CONN. 187/251MM KNOCK IN
5	800.DRB.00072	DRAWER DESIGN PROFILE 350MM ANTHRACITE
6	800.FIT.00029	CAB HANGER DOWEL PLATE KIT
7	800.DRB.90001	DRAWER V6 LH & RH RUNNER 350MM 30KG KIT

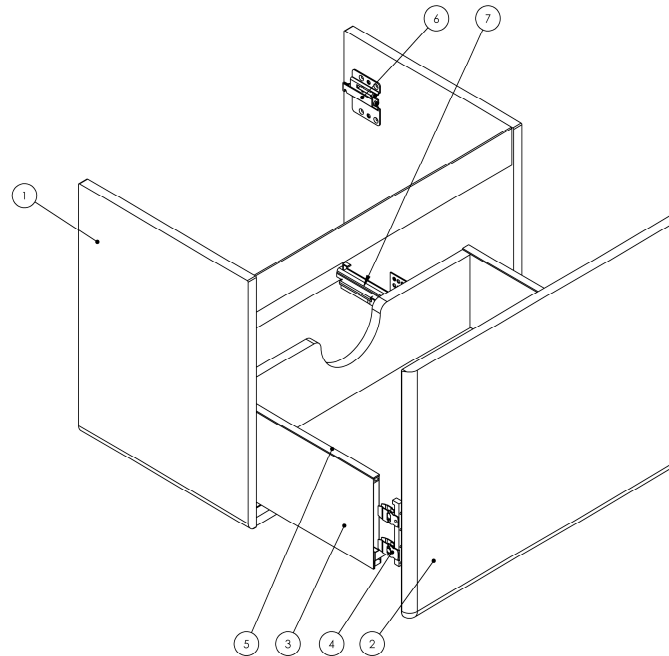
For products purchased prior to 9th March 2026, we kindly ask that for any remedial enquiries that you contact Utopia Customer Services on 01902 406 402 or email customersupport@utopiagroup.com for additional support and guidance.

Where applicable please note when ordering unit frontage's or carcasses, the style and colour will need to be specified.

Additional Documentation

Additional Documentation available on our website www.utopiagroup.com.

Every effort has been made to ensure that the information provided on this document is correct at the time of creation. Finally, Utopia Furniture Ltd reserve the right to alter materials and specifications in line with continuing programme of production and service development.



Number	Part Code	Part Description
1	CA1012	CARCASS 600 PTO SDU
2	DF0258	DRAWER FRONT 600 SDU
3	SUB.DX0195	559 X 350 X 187 DRAWER BOX
4	800.DRB.00076	DRAWER FRONT CONN. 187/251MM KNOCK IN
5	800.DRB.00072	DRAWER DESIGN PROFILE 350MM ANTHRACITE
6	800.FIT.00029	CAB HANGER DOWEL PLATE KIT
7	800.DRB.90001	DRAWER V6 LH & RH RUNNER 350MM 30KG KIT

For products purchased prior to 9th March 2026, we kindly ask that for any remedial enquiries that you contact Utopia Customer Services on 01902 406 402 or email customersupport@utopiagroup.com for additional support and guidance.

Where applicable please note when ordering unit frontage's or carcasses, the style and colour will need to be specified.

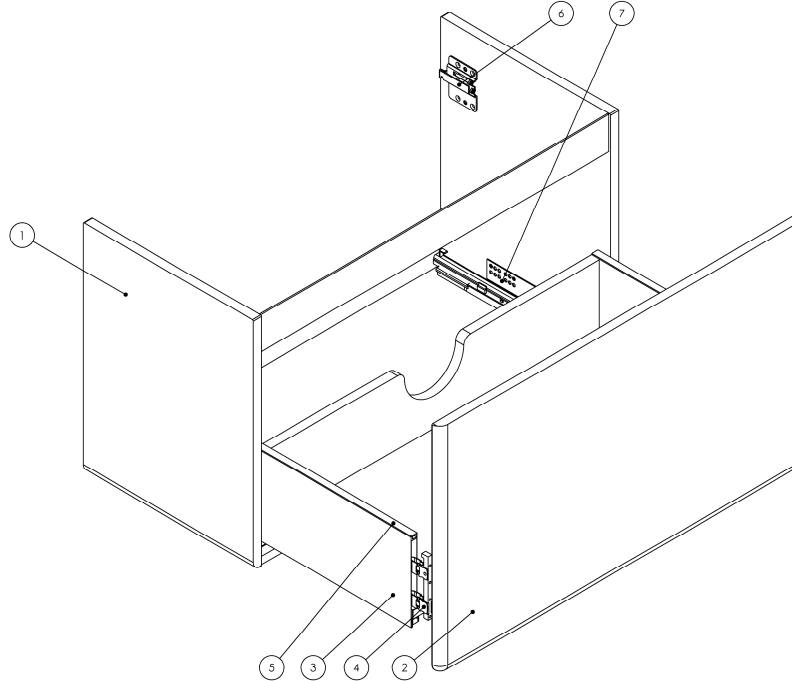
Additional Documentation

Additional Documentation available on our website www.utopiagroup.com.

Every effort has been made to ensure that the information provided on this document is correct at the time of creation. Finally, Utopia Furniture Ltd reserve the right to alter materials and specifications in line with continuing programme of production and service development.

CHIC | CHIC 800 WM SINGLE DRAWER WBU FOR SLABTOP BASIN - PULL

CHC007/***



Number	Part Code	Part Description
1	CA1015	CARCASS 800 SDU
2	DF0259	DRAWER FRONT 800 SDU
3	SUB.DX0197	759 X 350 X 187 DRAWER BOX
4	800.DRB.00076	DRAWER FRONT CONN. 187/251MM KNOCK IN
5	800.DRB.00072	DRAWER DESIGN PROFILE 350MM ANTHRACITE
6	800.FIT.00029	CAB HANGER DOWEL PLATE KIT
7	800.DRB.90001	DRAWER V6 LH & RH RUNNER 350MM 30KG KIT

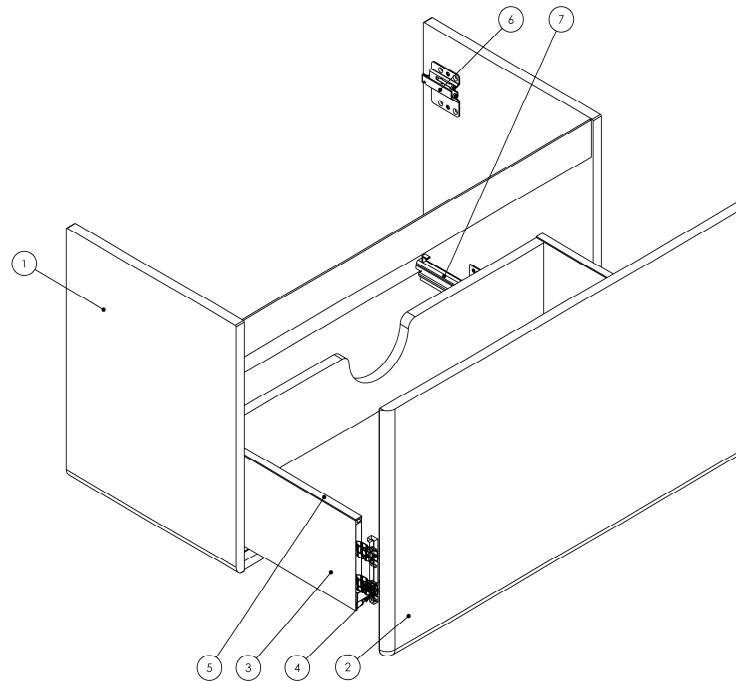
For products purchased prior to 9th March 2026, we kindly ask that for any remedial enquiries that you contact Utopia Customer Services on 01902 406 402 or email customersupport@utopiagroup.com for additional support and guidance.

Where applicable please note when ordering unit frontage's or carcasses, the style and colour will need to be specified.

Additional Documentation

Additional Documentation available on our website www.utopiagroup.com.

Every effort has been made to ensure that the information provided on this document is correct at the time of creation. Finally, Utopia Furniture Ltd reserve the right to alter materials and specifications in line with continuing programme of production and service development.



Number	Part Code	Part Description
1	CA1016	CARCASS 800 PTO SDU
2	DF0259	DRAWER FRONT 800 SDU
3	SUB.DX0197	759 X 350 X 187 DRAWER BOX
4	800.DRB.00076	DRAWER FRONT CONN. 187/251MM KNOCK IN
5	800.DRB.00072	DRAWER DESIGN PROFILE 350MM ANTHRACITE
6	800.FIT.00029	CAB HANGER DOWEL PLATE KIT
7	800.DRB.90001	DRAWER V6 LH & RH RUNNER 350MM 30KG KIT

For products purchased prior to 9th March 2026, we kindly ask that for any remedial enquiries that you contact Utopia Customer Services on 01902 406 402 or email customersupport@utopiagroup.com for additional support and guidance.

Where applicable please note when ordering unit frontage's or carcasses, the style and colour will need to be specified.

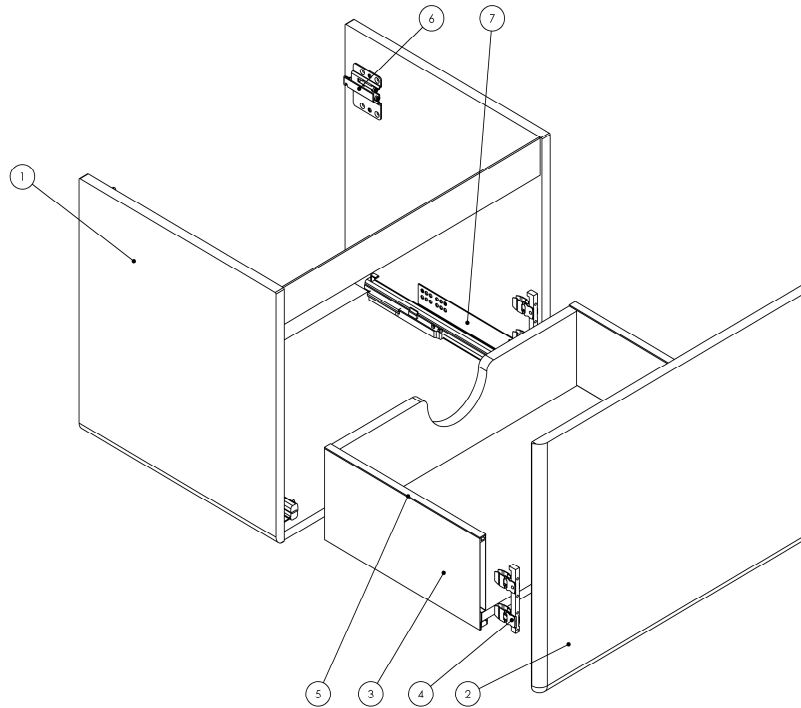
Additional Documentation

Additional Documentation available on our website www.utopiagroup.com.

Every effort has been made to ensure that the information provided on this document is correct at the time of creation. Finally, Utopia Furniture Ltd reserve the right to alter materials and specifications in line with continuing programme of production and service development.

CHIC | CHIC 600 WM SINGLE DRAWER WBU FOR SIT ON BASIN - PULL

CHC009/***



Number	Part Code	Part Description
1	CA1004	CARCASS 600 SDU WT
2	DF0258	DRAWER FRONT 600 SDU
3	SUB.DX0195	559 X 350 X 187 DRAWER BOX
4	800.DRB.00076	DRAWER FRONT CONN. 187/251MM KNOCK IN
5	800.DRB.00072	DRAWER DESIGN PROFILE 350MM ANTHRACITE
6	800.FIT.00029	CAB HANGER DOWEL PLATE KIT
7	800.DRB.90001	DRAWER V6 LH & RH RUNNER 350MM 30KG KIT

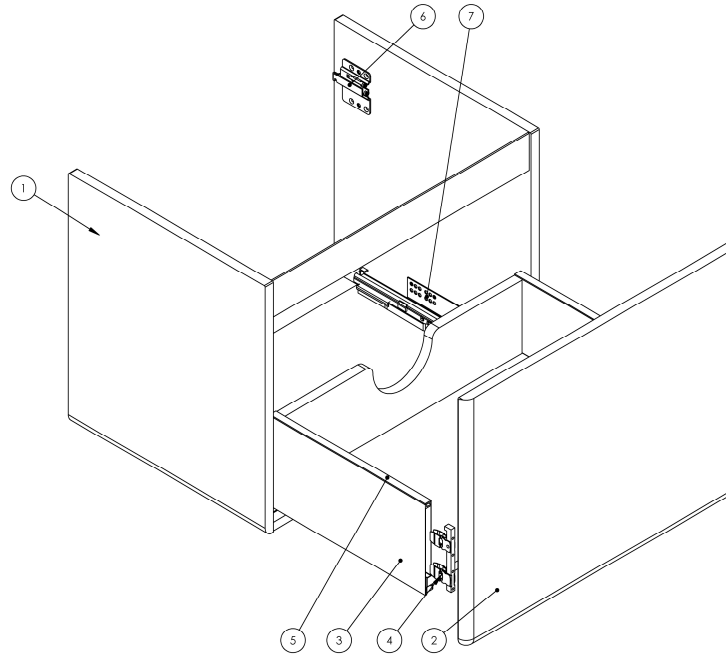
For products purchased prior to 9th March 2026, we kindly ask that for any remedial enquiries that you contact Utopia Customer Services on 01902 406 402 or email customersupport@utopiagroup.com for additional support and guidance.

Where applicable please note when ordering unit frontage's or carcasses, the style and colour will need to be specified.

Additional Documentation

Additional Documentation available on our website www.utopiagroup.com.

Every effort has been made to ensure that the information provided on this document is correct at the time of creation. Finally, Utopia Furniture Ltd reserve the right to alter materials and specifications in line with continuing programme of production and service development.



Number	Part Code	Part Description
1	CA1006	CARCASS 600 PTO SDU WT
2	DF0258	DRAWER FRONT 600 SDU
3	SUB.DX0195	559 X 350 X 187 DRAWER BOX
4	800.DRB.00076	DRAWER FRONT CONN. 187/251MM KNOCK IN
5	800.DRB.00072	DRAWER DESIGN PROFILE 350MM ANTHRACITE
6	800.FIT.00029	CAB HANGER DOWEL PLATE KIT
7	800.DRB.90001	DRAWER V6 LH & RH RUNNER 350MM 30KG KIT

For products purchased prior to 9th March 2026, we kindly ask that for any remedial enquiries that you contact Utopia Customer Services on 01902 406 402 or email customersupport@utopiagroup.com for additional support and guidance.

Where applicable please note when ordering unit frontage's or carcasses, the style and colour will need to be specified.

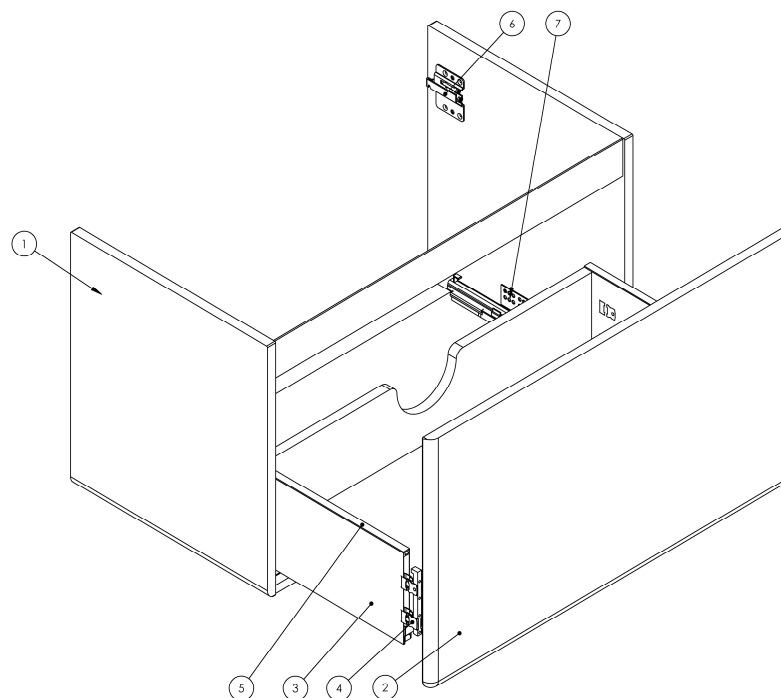
Additional Documentation

Additional Documentation available on our website www.utopiagroup.com.

Every effort has been made to ensure that the information provided on this document is correct at the time of creation. Finally, Utopia Furniture Ltd reserve the right to alter materials and specifications in line with continuing programme of production and service development.

CHIC | CHIC 800 WM SINGLE DRAWER WBU FOR SIT ON BASIN - PULL

CHC011/***



Number	Part Code	Part Description
1	CA1008	CARCASS 800 SDU WT
2	DF0259	DRAWER FRONT 800 SDU
3	SUB.DX0197	764 X 350 X 187 DRAWER BOX
4	800.DRB.00076	DRAWER FRONT CONN. 187/251MM KNOCK IN
5	800.DRB.00072	DRAWER DESIGN PROFILE 350MM ANTHRACITE
6	800.FIT.00029	CAB HANGER DOWEL PLATE KIT
7	800.DRB.90001	DRAWER V6 LH & RH RUNNER 350MM 30KG KIT

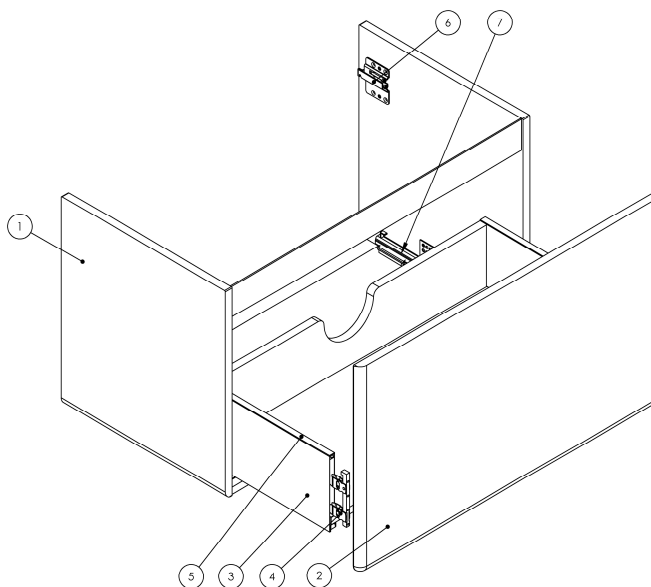
For products purchased prior to 9th March 2026, we kindly ask that for any remedial enquiries that you contact Utopia Customer Services on 01902 406 402 or email customersupport@utopiagroup.com for additional support and guidance.

Where applicable please note when ordering unit frontage's or carcasses, the style and colour will need to be specified.

Additional Documentation

Additional Documentation available on our website www.utopiagroup.com.

Every effort has been made to ensure that the information provided on this document is correct at the time of creation. Finally, Utopia Furniture Ltd reserve the right to alter materials and specifications in line with continuing programme of production and service development.



Number	Part Code	Part Description
1	CA1010	CARCASS 800 PTO SDU WT
2	DF0259	DRAWER FRONT 800 SDU
3	SUB.DX0105	759 X 350 X 187 DRAWER BOX
4	800.DRB.00076	DRAWER FRONT CONN. 187/251MM KNOCK IN
5	800.DRB.00072	DRAWER DESIGN PROFILE 350MM ANTHRACITE
6	800.FIT.00029	CAB HANGER DOWEL PLATE KIT
7	800.DRB.90001	DRAWER V6 LH & RH RUNNER 350MM 30KG KIT

For products purchased prior to 9th March 2026, we kindly ask that for any remedial enquiries that you contact Utopia Customer Services on 01902 406 402 or email customersupport@utopiagroup.com for additional support and guidance.

Where applicable please note when ordering unit frontage's or carcasses, the style and colour will need to be specified.

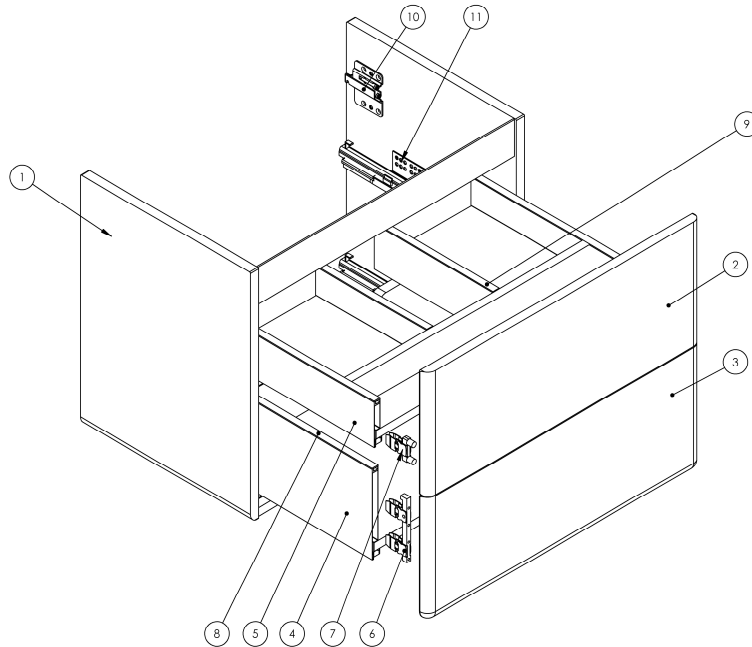
Additional Documentation

Additional Documentation available on our website www.utopiagroup.com.

Every effort has been made to ensure that the information provided on this document is correct at the time of creation. Finally, Utopia Furniture Ltd reserve the right to alter materials and specifications in line with continuing programme of production and service development.

CHIC | CHIC 600 WM DBL DRAWER WBU FOR SLABTOP BASIN - PULL

CHC013/***



Number	Part Code	Part Description
1	CA1013	600 DDU
2	DF0253	DRAWER FRONT TOP 594 X 237
3	DF0254	DRAWER FRONT BTM 594 X 237
4	SUB.DX0195	559 X 350 X 187 DRAWER BOX
5	SUB.DX0196	559 X 350 X 90 DRAWER BOX WITH CUT OUT
6	800.DRB.00076	DRAWER FRONT CONN. 187/251MM KNOCK IN
7	800.DRB.00073	DRAWER FRONT CONN. 139MM KNOCK IN
8	800.DRB.00072	DRAWER DESIGN PROFILE 350MM ANTHRACITE
9	800.DRB.00071	DRAWER DESIGN PROFILE 270MM ANTHRACITE
10	800.FIT.00029	CAB HANGER DOWEL PLATE KIT
11	800.DRB.90001	DRAWER V6 LH & RH RUNNER 350MM 30KG KIT

For products purchased prior to 9th March 2026, we kindly ask that for any remedial enquiries that you contact Utopia Customer Services on 01902 406 402 or email customersupport@utopiagroup.com for additional support and guidance.

Where applicable please note when ordering unit frontage's or carcasses, the style and colour will need to be specified.

Additional Documentation

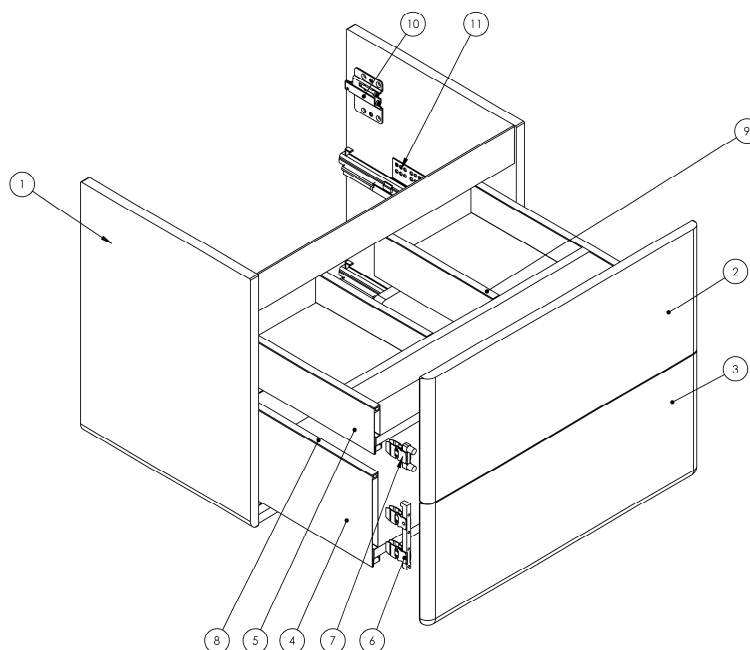
Additional Documentation available on our website www.utopiagroup.com.

Every effort has been made to ensure that the information provided on this document is correct at the time of creation. Finally, Utopia Furniture Ltd reserve the right to alter materials and specifications in line with continuing programme of production and service development.

CHIC | CHIC 600 WM DBL DRAWER WBU FOR SLABTOP BASIN - P2OPEN*

CHC014/***

*Push to Open



Number	Part Code	Part Description
1	CA1014	600 PTO DDU
2	DF0253	DRAWER FRONT TOP 594 X 237
3	DF0254	DRAWER FRONT BTM 594 X 237
4	SUB.DX0195	559 X 350 X 187 DRAWER BOX
5	SUB.DX0196	559 X 350 X 90 DRAWER BOX WITH CUT OUT
6	800.DRB.00076	DRAWER FRONT CONN. 187/251MM KNOCK IN
7	800.DRB.00073	DRAWER FRONT CONN. 139MM KNOCK IN
8	800.DRB.00072	DRAWER DESIGN PROFILE 350MM ANTHRACITE
9	800.DRB.00071	DRAWER DESIGN PROFILE 270MM ANTHRACITE
10	800.FIT.00029	CAB HANGER DOWEL PLATE KIT
11	800.DRB.90001	DRAWER V6 LH & RH RUNNER 350MM 30KG KIT

For products purchased prior to 9th March 2026, we kindly ask that for any remedial enquiries that you contact Utopia Customer Services on 01902 406 402 or email customersupport@utopiagroup.com for additional support and guidance.

Where applicable please note when ordering unit frontage's or carcasses, the style and colour will need to be specified.

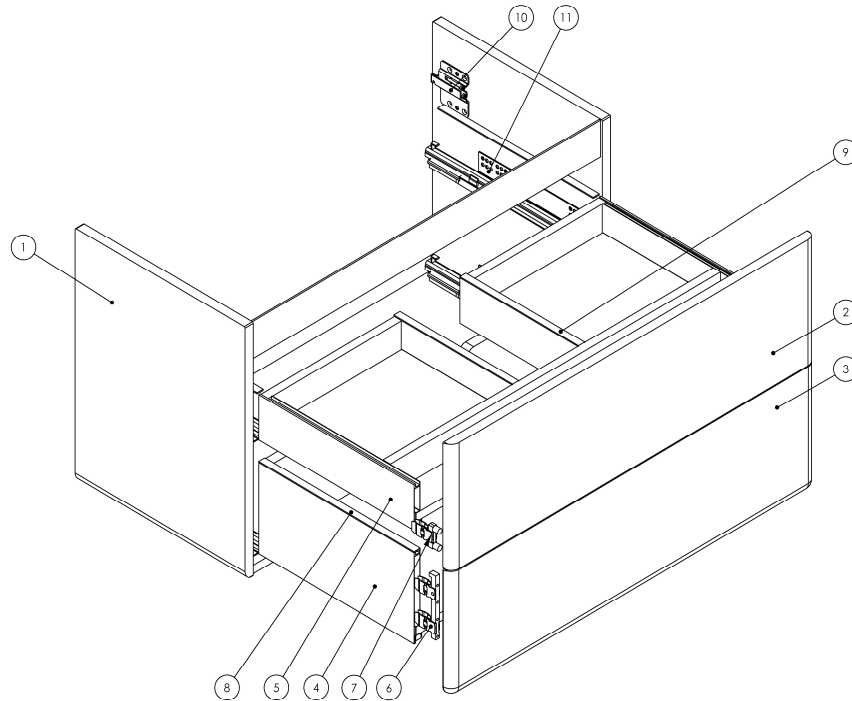
Additional Documentation

Additional Documentation available on our website www.utopiagroup.com.

Every effort has been made to ensure that the information provided on this document is correct at the time of creation. Finally, Utopia Furniture Ltd reserve the right to alter materials and specifications in line with continuing programme of production and service development.

CHIC | CHIC 800 WM DBL DRAWER WBU FOR SLABTOP BASIN - PULL

CHC015/***



Number	Part Code	Part Description
1	CA1017	800 DDU
2	DF0256	DRAWER FRONT TOP 789 X 237
3	DF0257	DRAWER FRONT BTM 789 X 237
4	SUB.DX0197	759 X 350 X 187 DRAWER BOX
5	SUB.DX0198	759 X 350 X 90 DRAWER BOX WITH CUT OUT
6	800.DRB.00076	DRAWER FRONT CONN. 187/251MM KNOCK IN
7	800.DRB.00073	DRAWER FRONT CONN. 139MM KNOCK IN
8	800.DRB.00072	DRAWER DESIGN PROFILE 350MM ANTHRACITE
9	800.DRB.00071	DRAWER DESIGN PROFILE 270MM ANTHRACITE
10	800.FIT.00029	CAB HANGER DOWEL PLATE KIT
11	800.DRB.90001	DRAWER V6 LH & RH RUNNER 350MM 30KG KIT

For products purchased prior to 9th March 2026, we kindly ask that for any remedial enquiries that you contact Utopia Customer Services on 01902 406 402 or email customersupport@utopiagroup.com for additional support and guidance.

Where applicable please note when ordering unit frontage's or carcasses, the style and colour will need to be specified.

Additional Documentation

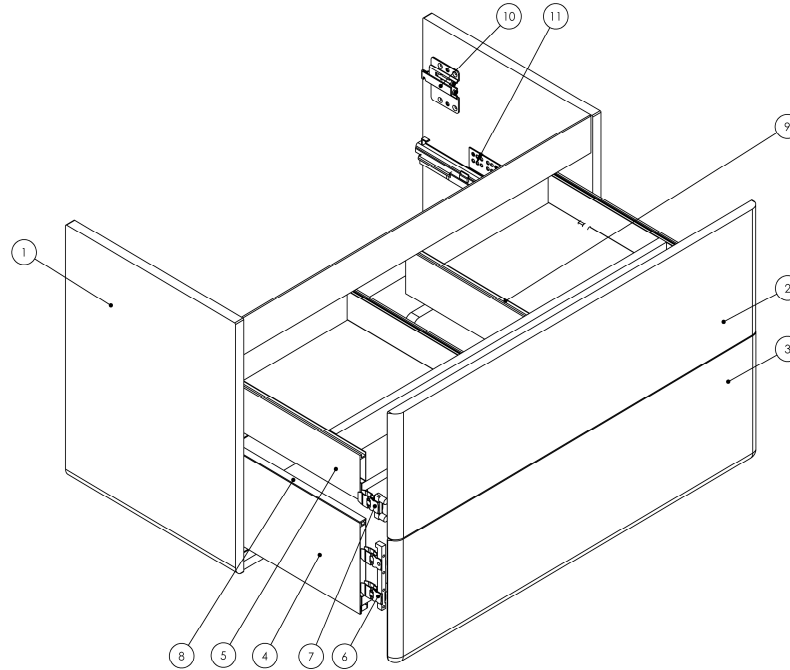
Additional Documentation available on our website www.utopiagroup.com.

Every effort has been made to ensure that the information provided on this document is correct at the time of creation. Finally, Utopia Furniture Ltd reserve the right to alter materials and specifications in line with continuing programme of production and service development.

CHIC | CHIC 800 WM DBL DRAWER WBU FOR SLABTOP BASIN - P2OPEN*

CHC016/***

*Push to Open



Number	Part Code	Part Description
1	CA1018	800 PTO DDU
2	DF0256	DRAWER FRONT TOP 794 X 237
3	DF0257	DRAWER FRONT BTM 794 X 237
4	SUB.DX0197	759 X 350 X 187 DRAWER BOX
5	SUB.DX0198	759 X 350 X 90 DRAWER BOX WITH CUT OUT
6	800.DRB.00076	DRAWER FRONT CONN. 187/251MM KNOCK IN
7	800.DRB.00073	DRAWER FRONT CONN. 139MM KNOCK IN
8	800.DRB.00072	DRAWER DESIGN PROFILE 350MM ANTHRACITE
9	800.DRB.00071	DRAWER DESIGN PROFILE 270MM ANTHRACITE
10	800.FIT.00029	CAB HANGER DOWEL PLATE KIT
11	800.DRB.90001	DRAWER V6 LH & RH RUNNER 350MM 30KG KIT

For products purchased prior to 9th March 2026, we kindly ask that for any remedial enquiries that you contact Utopia Customer Services on 01902 406 402 or email customersupport@utopiagroup.com for additional support and guidance.

Where applicable please note when ordering unit frontage's or carcasses, the style and colour will need to be specified.

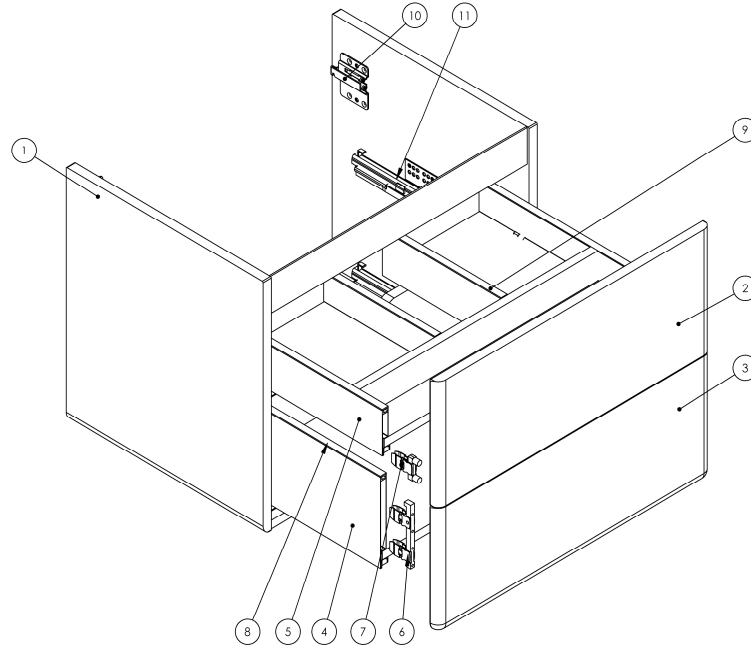
Additional Documentation

Additional Documentation available on our website www.utopiagroup.com.

Every effort has been made to ensure that the information provided on this document is correct at the time of creation. Finally, Utopia Furniture Ltd reserve the right to alter materials and specifications in line with continuing programme of production and service development.

CHIC | CHIC 600 WM DBL DRAWER WBU FOR SIT ON BASIN - PULL

CHC017/***



Number	Part Code	Part Description
1	CA1003	600 DDU WT
2	DF0253	DRAWER FRONT TOP 594 X 237
3	DF0254	DRAWER FRONT BTM 594 X 237
4	SUB.DX0195	559 X 350 X 187 DRAWER BOX
5	SUB.DX0196	559 X 350 X 90 DRAWER BOX WITH CUT OUT
6	800.DRB.00076	DRAWER FRONT CONN. 187/251MM KNOCK IN
7	800.DRB.00073	DRAWER FRONT CONN. 139MM KNOCK IN
8	800.DRB.00072	DRAWER DESIGN PROFILE 350MM ANTHRACITE
9	800.DRB.00071	DRAWER DESIGN PROFILE 270MM ANTHRACITE
10	800.FIT.00029	CAB HANGER DOWEL PLATE KIT
11	800.DRB.90001	DRAWER V6 LH & RH RUNNER 350MM 30KG KIT

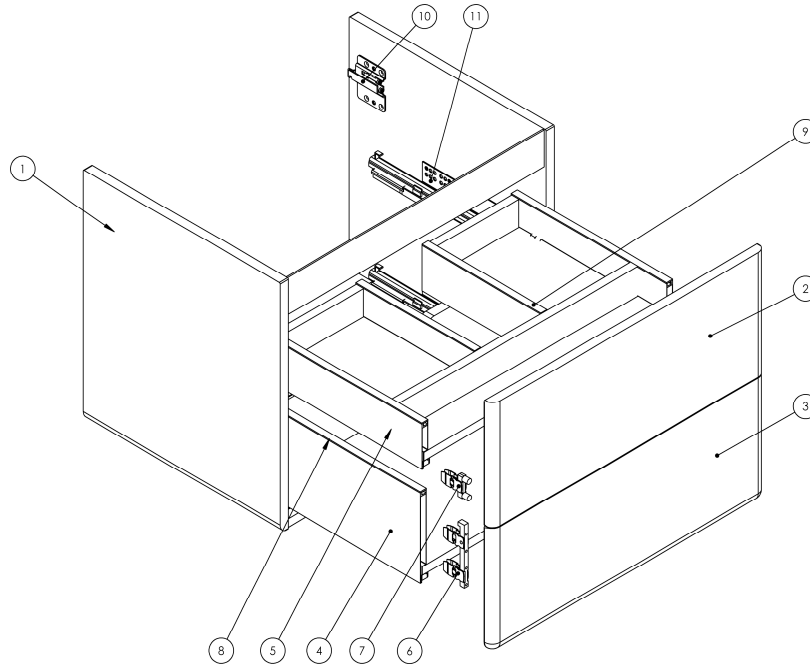
For products purchased prior to 9th March 2026, we kindly ask that for any remedial enquiries that you contact Utopia Customer Services on 01902 406 402 or email customersupport@utopiagroup.com for additional support and guidance.

Where applicable please note when ordering unit frontage's or carcasses, the style and colour will need to be specified.

Additional Documentation

Additional Documentation available on our website www.utopiagroup.com.

Every effort has been made to ensure that the information provided on this document is correct at the time of creation. Finally, Utopia Furniture Ltd reserve the right to alter materials and specifications in line with continuing programme of production and service development.



Number	Part Code	Part Description
1	CA1005	600 PTO DDU WT
2	DF0253	DRAWER FRONT TOP 594 X 237
3	DF0254	DRAWER FRONT BTM 594 X 237
4	SUB.DX0195	559 X 350 X 187 DRAWER BOX
5	SUB.DX0196	559 X 350 X 90 DRAWER BOX WITH CUT OUT
6	800.DRB.00076	DRAWER FRONT CONN. 187/251MM KNOCK IN
7	800.DRB.00073	DRAWER FRONT CONN. 139MM KNOCK IN
8	800.DRB.00072	DRAWER DESIGN PROFILE 350MM ANTHRACITE
9	800.DRB.00071	DRAWER DESIGN PROFILE 270MM ANTHRACITE
10	800.FIT.00029	CAB HANGER DOWEL PLATE KIT
11	800.DRB.90001	DRAWER V6 LH & RH RUNNER 350MM 30KG KIT

For products purchased prior to 9th March 2026, we kindly ask that for any remedial enquiries that you contact Utopia Customer Services on 01902 406 402 or email customersupport@utopiagroup.com for additional support and guidance.

Where applicable please note when ordering unit frontage's or carcasses, the style and colour will need to be specified.

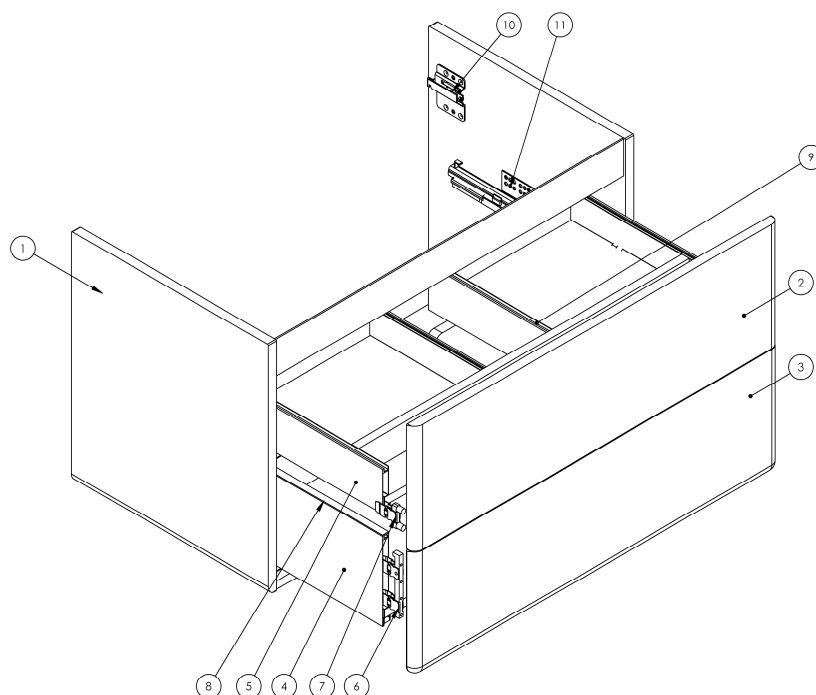
Additional Documentation

Additional Documentation available on our website www.utopiagroup.com.

Every effort has been made to ensure that the information provided on this document is correct at the time of creation. Finally, Utopia Furniture Ltd reserve the right to alter materials and specifications in line with continuing programme of production and service development.

CHIC | CHIC 800 WM DBL DRAWER WBU FOR SIT ON BASIN - PULL

CHC019/***



Number	Part Code	Part Description
1	CA1007	800 DDU WT
2	DF0256	DRAWER FRONT TOP 794 X 237
3	DF0257	DRAWER FRONT BTM 794 X 237
4	SUB.DX0197	759 X 350 X 187 DRAWER BOX
5	SUB.DX0198	759 X 350 X 90 DRAWER BOX WITH CUT OUT
6	800.DRB.00076	DRAWER FRONT CONN. 187/251MM KNOCK IN
7	800.DRB.00073	DRAWER FRONT CONN. 139MM KNOCK IN
8	800.DRB.00072	DRAWER DESIGN PROFILE 350MM ANTHRACITE
9	800.DRB.00071	DRAWER DESIGN PROFILE 270MM ANTHRACITE
10	800.FIT.00029	CAB HANGER DOWEL PLATE KIT
11	800.DRB.90001	DRAWER V6 LH & RH RUNNER 350MM 30KG KIT

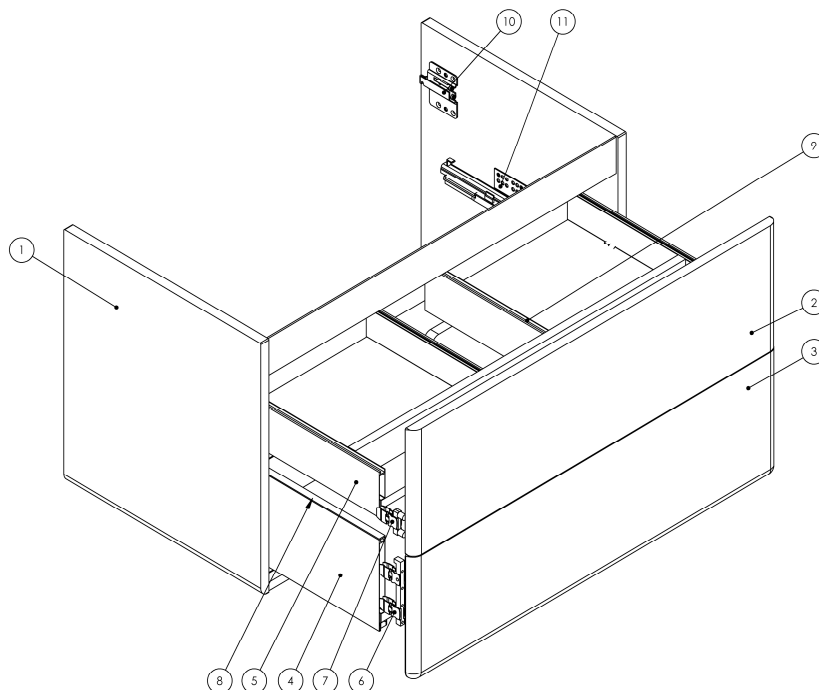
For products purchased prior to 9th March 2026, we kindly ask that for any remedial enquiries that you contact Utopia Customer Services on 01902 406 402 or email customersupport@utopiagroup.com for additional support and guidance.

Where applicable please note when ordering unit frontage's or carcasses, the style and colour will need to be specified.

Additional Documentation

Additional Documentation available on our website www.utopiagroup.com.

Every effort has been made to ensure that the information provided on this document is correct at the time of creation. Finally, Utopia Furniture Ltd reserve the right to alter materials and specifications in line with continuing programme of production and service development.



Number	Part Code	Part Description
1	CA1009	800 PTO DDU WT
2	DF0256	DRAWER FRONT TOP 794 X 237
3	DF0257	DRAWER FRONT BTM 794 X 237
4	SUB.DX0197	759 X 350 X 187 DRAWER BOX
5	SUB.DX0198	759 X 350 X 90 DRAWER BOX WITH CUT OUT
6	800.DRB.00076	DRAWER FRONT CONN. 187/251MM KNOCK IN
7	800.DRB.00073	DRAWER FRONT CONN. 139MM KNOCK IN
8	800.DRB.00072	DRAWER DESIGN PROFILE 350MM ANTHRACITE
9	800.DRB.00071	DRAWER DESIGN PROFILE 270MM ANTHRACITE
10	800.FIT.00029	CAB HANGER DOWEL PLATE KIT
11	800.DRB.90001	DRAWER V6 LH & RH RUNNER 350MM 30KG KIT

For products purchased prior to 9th March 2026, we kindly ask that for any remedial enquiries that you contact Utopia Customer Services on 01902 406 402 or email customersupport@utopiagroup.com for additional support and guidance.

Where applicable please note when ordering unit frontage's or carcasses, the style and colour will need to be specified.

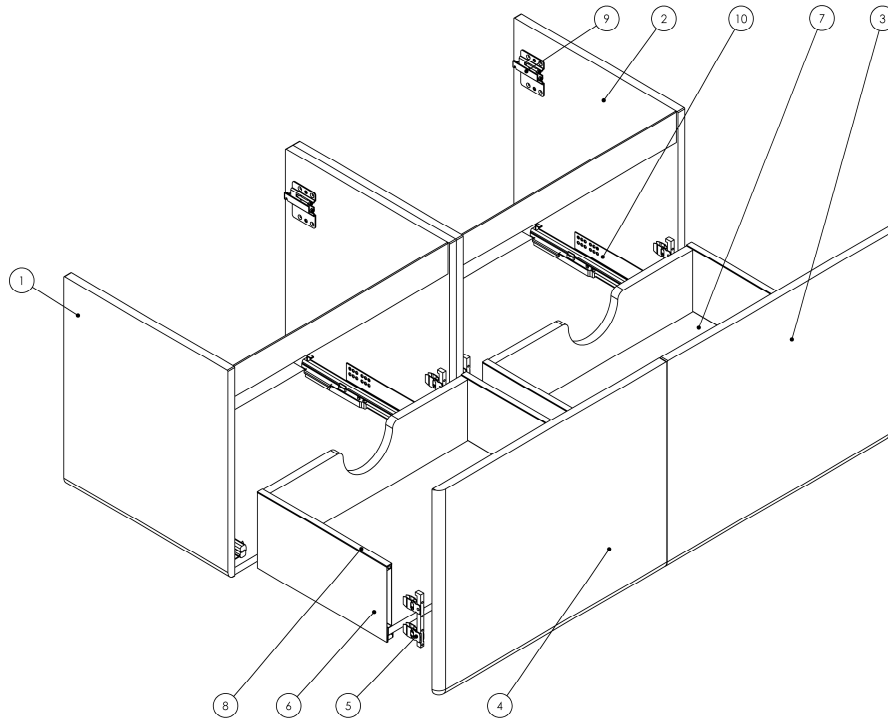
Additional Documentation

Additional Documentation available on our website www.utopiagroup.com.

Every effort has been made to ensure that the information provided on this document is correct at the time of creation. Finally, Utopia Furniture Ltd reserve the right to alter materials and specifications in line with continuing programme of production and service development.

CHIC | CHIC 1200 WM TWIN SINGLE DRAWER WBU FOR SIT ON BASIN - PULL

CHC021/***



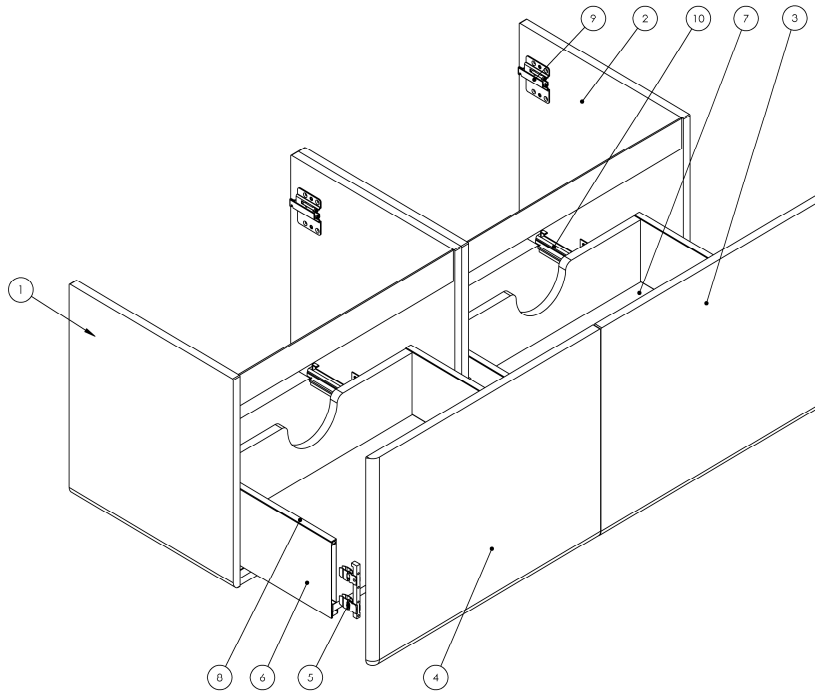
Number	Part Code	Part Description
1	CA0792	CARCASS 600 SDU LH WT
2	CA0793	CARCASS 600 SDU RH WT
3	DF0180	DRAWER FRONT 600 PTO SDU LH
4	DF0181	DRAWER FRONT 600 PTO SDU RH
5	800.DRB.00076	DRAWER FRONT CONN. 187/251MM KNOCK IN
6	SUB.DX0103	564 X 350 X 187 DRAWER BOX
7	SUB.DX0103	564 X 350 X 187 DRAWER BOX
8	800.DRB.00072	DRAWER DESIGN PROFILE 350MM ANTHRACITE
9	800.FIT.00029	CAB HANGER DOWEL PLATE KIT
10	800.DRB.90001	DRAWER V6 LH & RH RUNNER 350MM 30KG KIT

Where applicable please note when ordering unit frontage's or carcasses, the style and colour will need to be specified.

Additional Documentation

Additional Documentation available on our website www.utopiagroup.com.

Every effort has been made to ensure that the information provided on this document is correct at the time of creation. Finally, Utopia Furniture Ltd reserve the right to alter materials and specifications in line with continuing programme of production and service development.



Number	Part Code	Part Description
1	CA0798	CARCASS 600 SDU LH WT
2	CA0799	CARCASS 600 SDU RH WT
3	DF0180	DRAWER FRONT 600 PTO SDU LH
4	DF0181	DRAWER FRONT 600 PTO SDU RH
5	800.DRB.00076	DRAWER FRONT CONN. 187/251MM KNOCK IN
6	SUB.DX0103	564 X 350 X 187 DRAWER BOX
7	SUB.DX0103	564 X 350 X 187 DRAWER BOX
8	800.DRB.00072	DRAWER DESIGN PROFILE 350MM ANTHRACITE
9	800.FIT.00029	CAB HANGER DOWEL PLATE KIT
10	800.DRB.90001	DRAWER V6 LH & RH RUNNER 350MM 30KG KIT

Where applicable please note when ordering unit frontage's or carcasses, the style and colour will need to be specified.

Additional Documentation

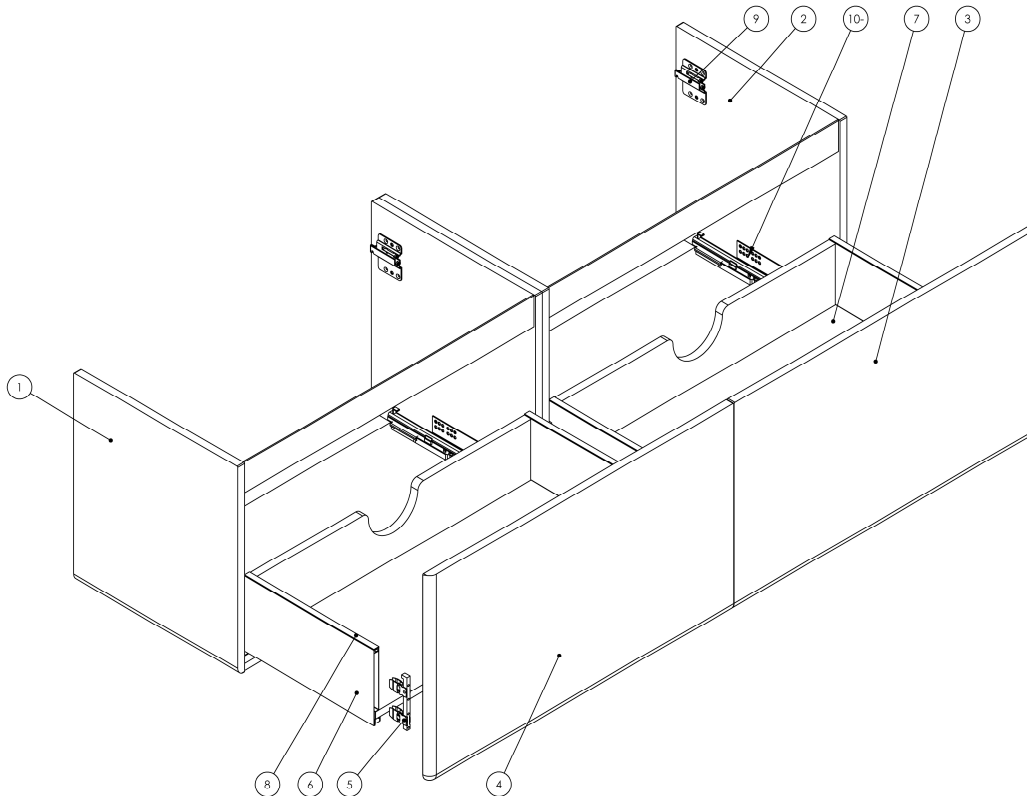
Additional Documentation available on our website www.utopiagroup.com.

Every effort has been made to ensure that the information provided on this document is correct at the time of creation. Finally, Utopia Furniture Ltd reserve the right to alter materials and specifications in line with continuing programme of production and service development.

CHIC | CHIC 1600 WM TWIN SINGLE DRAWER WBU FOR SIT ON BASIN - PULL

Bathroom Perfection

CHC023/**



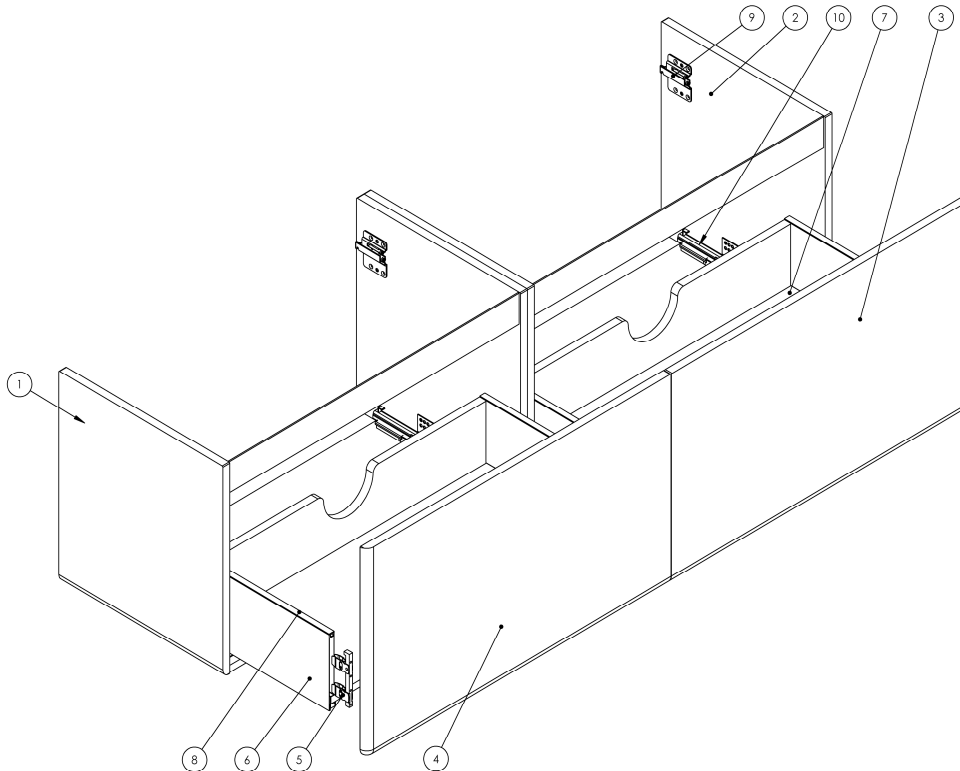
Number	Part Code	Part Description
1	CA0808	CARCASS 800 SDU LH WT
2	CA0809	CARCASS 800 SDU RH WT
3	DF0165	DRAWER FRONT 800 PTO SDU LH
4	DF0166	DRAWER FRONT 800 PTO SDU RH
5	800.DRB.00076	DRAWER FRONT CONN. 187/251MM KNOCK IN
6	SUB.DX0105	764 X 350 X 187 DRAWER BOX
7	SUB.DX0105	764 X 350 X 187 DRAWER BOX
8	800.DRB.00072	DRAWER DESIGN PROFILE 350MM ANTHRACITE
9	800.FIT.00029	CAB HANGER DOWEL PLATE KIT
10	800.DRB.90001	DRAWER V6 LH & RH RUNNER 350MM 30KG KIT

Where applicable please note when ordering unit frontage's or carcasses, the style and colour will need to be specified.

Additional Documentation

Additional Documentation available on our website www.utopiagroup.com.

Every effort has been made to ensure that the information provided on this document is correct at the time of creation. Finally, Utopia Furniture Ltd reserve the right to alter materials and specifications in line with continuing programme of production and service development.



Number	Part Code	Part Description
1	CA0814	CARCASS 800 SDU LH WT
2	CA0815	CARCASS 800 SDU RH WT
3	DF0165	DRAWER FRONT 800 PTO SDU LH
4	DF0166	DRAWER FRONT 800 PTO SDU RH
5	800.DRB.00076	DRAWER FRONT CONN. 187/251MM KNOCK IN
6	SUB.DX0105	764 X 350 X 187 DRAWER BOX
7	SUB.DX0105	764 X 350 X 187 DRAWER BOX
8	800.DRB.00072	DRAWER DESIGN PROFILE 350MM ANTHRACITE
9	800.FIT.00029	CAB HANGER DOWEL PLATE KIT
10	800.DRB.90001	DRAWER V6 LH & RH RUNNER 350MM 30KG KIT

Where applicable please note when ordering unit frontage's or carcasses, the style and colour will need to be specified.

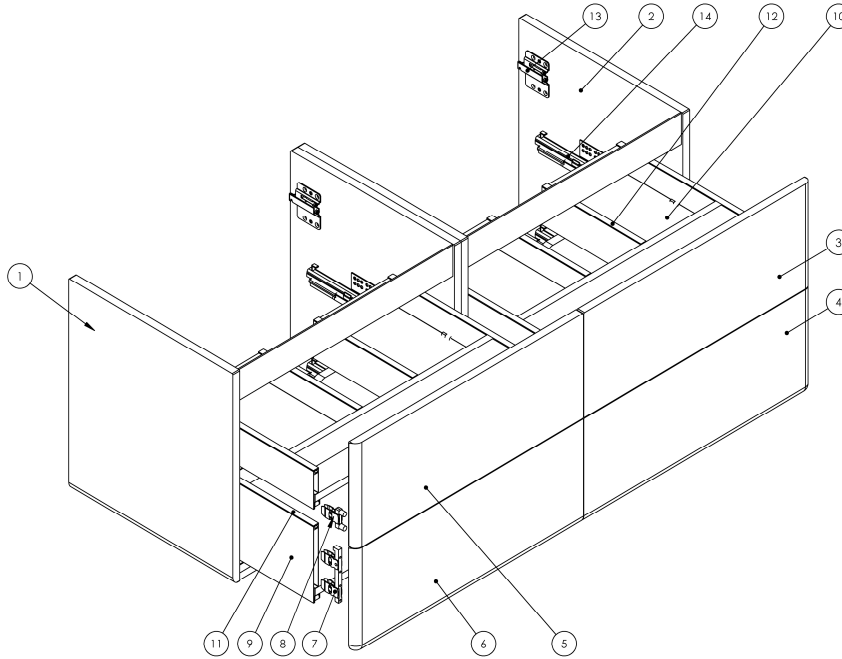
Additional Documentation

Additional Documentation available on our website www.utopiagroup.com.

Every effort has been made to ensure that the information provided on this document is correct at the time of creation. Finally, Utopia Furniture Ltd reserve the right to alter materials and specifications in line with continuing programme of production and service development.

CHIC | CHIC 1200 WM TWIN DBL DRAWER WBU FOR SIT ON BASIN - PULL

CHC025/***



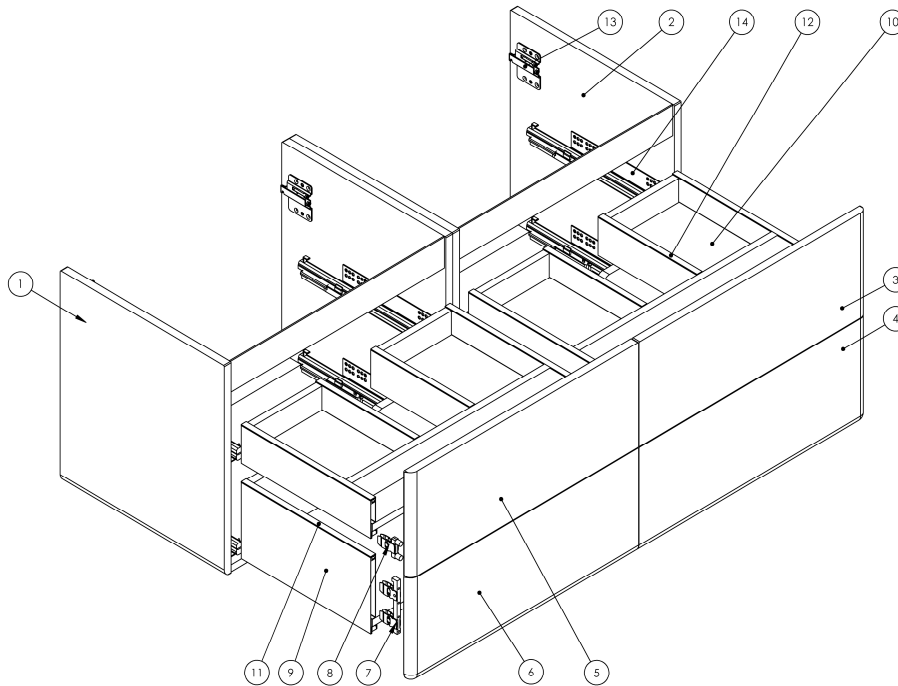
Number	Part Code	Part Description
1	CA0792	CARCASS 600 SDU LH WT
2	CA0793	CARCASS 600 SDU RH WT
3	DF0171	DRAWER FASCIA 600 DDU PTO TOP RH
4	DF0172	599 X 237 BTM RH DRAWER FRONT
5	DF0169	DRAWER FASCIA 600 DDU PTO TOP LH
6	DF0170	DRAWER FASCIA 600 DDU PTO BTM LH
7	800.DRB.00076	DRAWER FRONT CONN. 187/251MM KNOCK IN
8	800.DRB.00073	DRAWER FRONT CONN. 139MM KNOCK IN
9	SUB.DX0103	564 X 350 X 187 DRAWER BOX
10	SUB.DX0174	564 X 350 X 90 DRAWER BOX WITH CUT OUT
11	800.DRB.00072	DRAWER DESIGN PROFILE 350MM ANTHRACITE
12	800.DRB.00071	DRAWER DESIGN PROFILE 270MM ANTHRACITE
13	800.FIT.00029	CAB HANGER DOWEL PLATE KIT
14	800.DRB.90001	DRAWER V6 LH & RH RUNNER 350MM 30KG KIT

Where applicable please note when ordering unit frontage's or carcasses, the style and colour will need to be specified.

Additional Documentation

Additional Documentation available on our website www.utopiagroup.com.

Every effort has been made to ensure that the information provided on this document is correct at the time of creation. Finally, Utopia Furniture Ltd reserve the right to alter materials and specifications in line with continuing programme of production and service development.



Number	Part Code	Part Description
1	CA0796	600 PTO LH DDU WT
2	CA0797	600 PTO RH DDU WT
3	DF0171	DRAWER FASCIA 600 DDU PTO TOP RH
4	DF0172	599 X 237 BTM RH DRAWER FRONT
5	DF0169	DRAWER FASCIA 600 DDU PTO TOP LH
6	DF0170	DRAWER FASCIA 600 DDU PTO BTM LH
7	800.DRB.00076	DRAWER FRONT CONN. 187/251MM KNOCK IN
8	800.DRB.00073	DRAWER FRONT CONN. 139MM KNOCK IN
9	SUB.DX0103	564 X 350 X 187 DRAWER BOX
10	SUB.DX0174	564 X 350 X 90 DRAWER BOX WITH CUT OUT
11	800.DRB.00072	DRAWER DESIGN PROFILE 350MM ANTHRACITE
12	800.DRB.00071	DRAWER DESIGN PROFILE 270MM ANTHRACITE
13	800.FIT.00029	CAB HANGER DOWEL PLATE KIT
14	800.DRB.90001	DRAWER V6 LH & RH RUNNER 350MM 30KG KIT

Where applicable please note when ordering unit frontage's or carcasses, the style and colour will need to be specified.

Additional Documentation

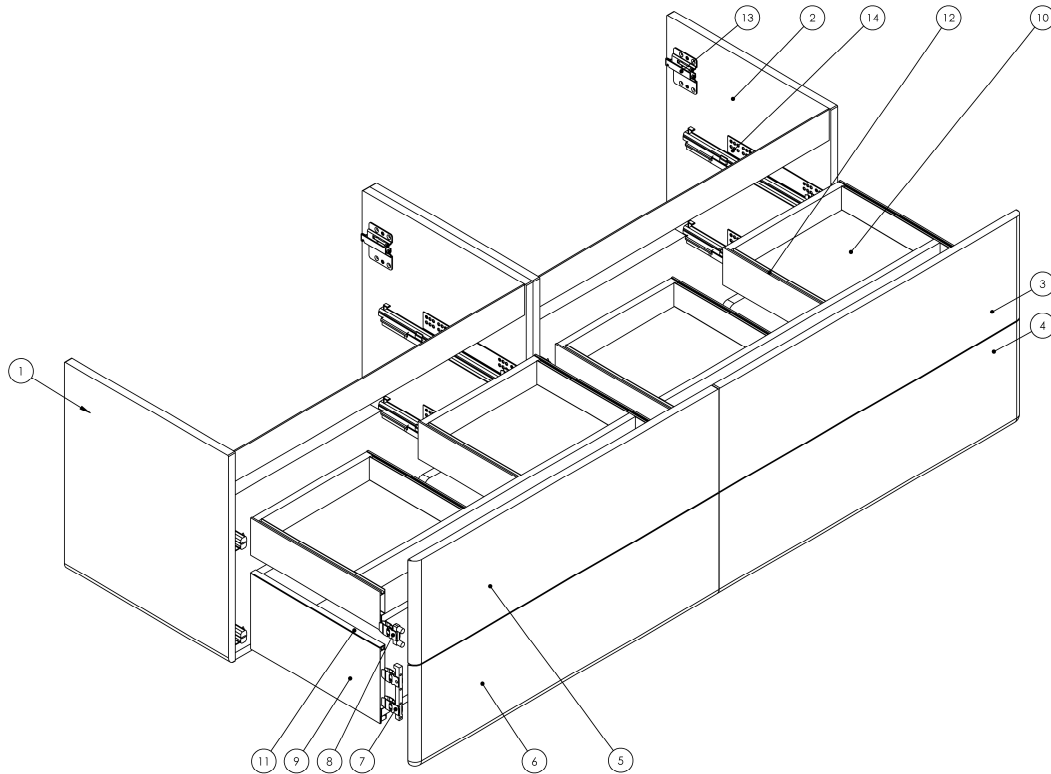
Additional Documentation available on our website www.utopiagroup.com.

Every effort has been made to ensure that the information provided on this document is correct at the time of creation. Finally, Utopia Furniture Ltd reserve the right to alter materials and specifications in line with continuing programme of production and service development.

CHIC | CHIC 1600 WM TWIN DBL DRAWER WBU FOR SIT ON BASIN - PULL

Bathroom Perfection

CHC027/***



Number	Part Code	Part Description
1	CA0806	CARCASS 800 SDU LH WT
2	CA0807	CARCASS 800 SDU RH WT
3	DF0178	DRAWER FASCIA 800 DDU TOP RH
4	DF0179	799 X 237 BTM RH DRAWER FRONT
5	DF0176	DRAWER FASCIA 800 DDU PTO TOP LH
6	DF0177	DRAWER FASCIA 800 DDU PTO BTM LH
7	800.DRB.00076	DRAWER FRONT CONN. 187/251MM KNOCK IN
8	800.DRB.00073	DRAWER FRONT CONN. 139MM KNOCK IN
9	SUB.DX0105	764 X 350 X 187 DRAWER BOX
10	SUB.DX0175	764 X 350 X 90 DRAWER BOX WITH CUT OUT
11	800.DRB.00072	DRAWER DESIGN PROFILE 350MM ANTHRACITE
12	800.DRB.00071	DRAWER DESIGN PROFILE 270MM ANTHRACITE
13	800.FIT.00029	CAB HANGER DOWEL PLATE KIT
14	800.DRB.90001	DRAWER V6 LH & RH RUNNER 350MM 30KG KIT

Where applicable please note when ordering unit frontage's or carcasses, the style and colour will need to be specified.

Additional Documentation

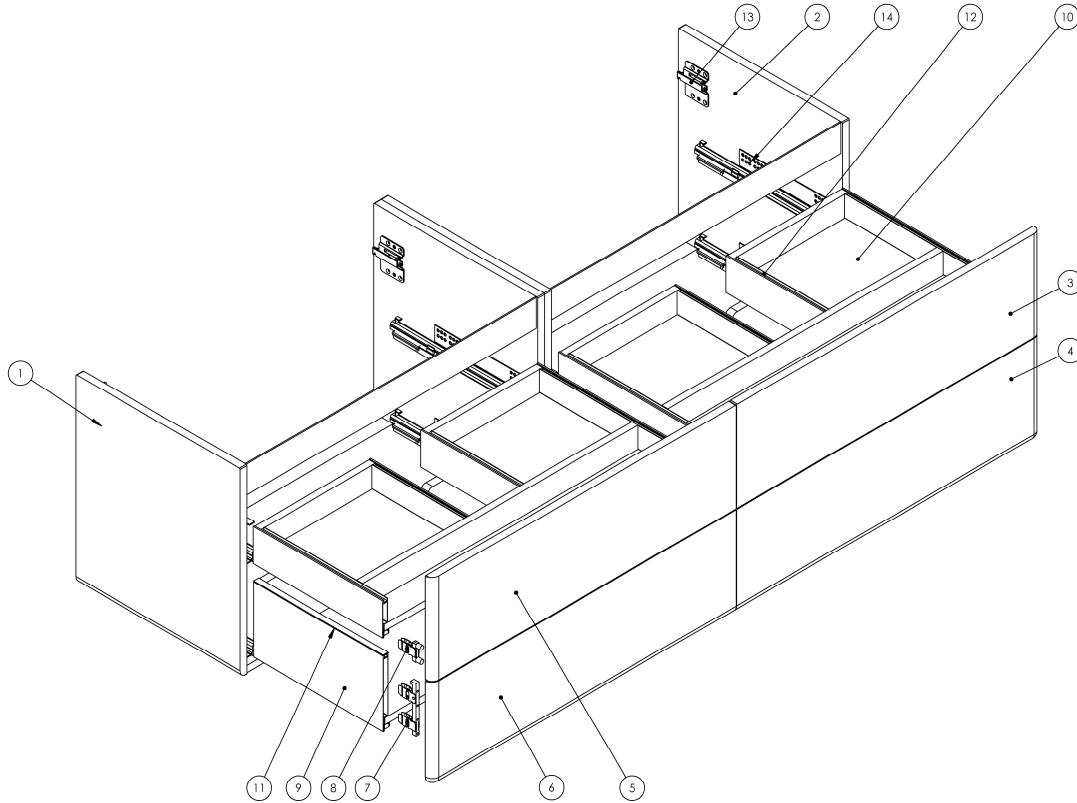
Additional Documentation available on our website www.utopiagroup.com.

Every effort has been made to ensure that the information provided on this document is correct at the time of creation. Finally, Utopia Furniture Ltd reserve the right to alter materials and specifications in line with continuing programme of production and service development.

CHIC | CHIC 1600 WM TWIN DBL DRAWER WBU FOR SIT ON BASIN - P2OPEN*

CHC028/***

***Push to Open**



Number	Part Code	Part Description
1	CA0812	800 PTO LH DDU WT
2	CA0813	800 PTO RH DDU WT
3	DF0178	DRAWER FASCIA 800 DDU TOP RH
4	DF0179	799 X 237 BTM RH DRAWER FRONT
5	DF0176	DRAWER FASCIA 800 DDU PTO TOP LH
6	DF0177	DRAWER FASCIA 800 DDU PTO BTM LH
7	800.DRB.00076	DRAWER FRONT CONN. 187/251MM KNOCK IN
8	800.DRB.00073	DRAWER FRONT CONN. 139MM KNOCK IN
9	SUB.DX0105	764 X 350 X 187 DRAWER BOX
10	SUB.DX0175	764 X 350 X 90 DRAWER BOX WITH CUT OUT
11	800.DRB.00072	DRAWER DESIGN PROFILE 350MM ANTHRACITE
12	800.DRB.00071	DRAWER DESIGN PROFILE 270MM ANTHRACITE
13	800.FIT.00029	CAB HANGER DOWEL PLATE KIT
14	800.DRB.90001	DRAWER V6 LH & RH RUNNER 350MM 30KG KIT

Where applicable please note when ordering unit frontage's or carcasses, the style and colour will need to be specified.

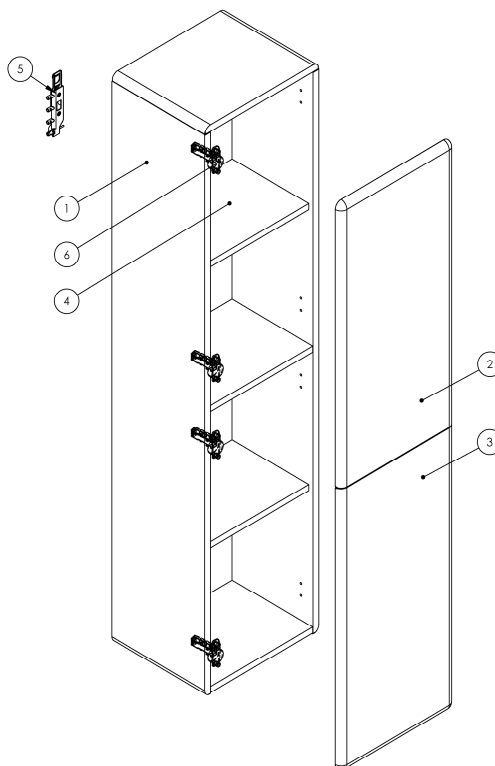
Additional Documentation

Additional Documentation available on our website www.utopiagroup.com.

Every effort has been made to ensure that the information provided on this document is correct at the time of creation. Finally, Utopia Furniture Ltd reserve the right to alter materials and specifications in line with continuing programme of production and service development.

CHIC | CHIC TALL STORAGE UNIT LH - PULL

CHC029/***



Number	Part Code	Part Description
1	CA0778	350 TALL DOOR UNIT LH CARCASS ONLY
2	DR0351	349 X 748 DOOR
3	DR0352	349 X 748 DOOR
4	SH0159	314 X 235 SHELF (16MM MFC)
5	800.FIT.00030	BASE WALL HANGING KIT
6	800.FIT.00109	SHALLOW CUP HINGE KIT

Where applicable please note when ordering unit frontage's or carcasses, the style and colour will need to be specified.

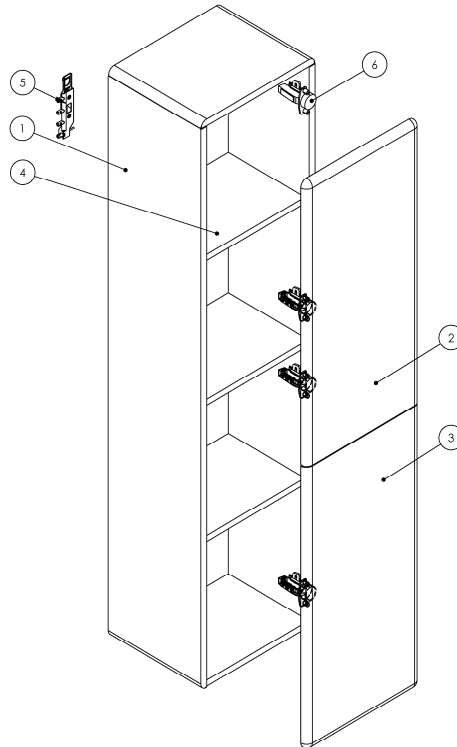
Additional Documentation

Additional Documentation available on our website www.utopiagroup.com.

Every effort has been made to ensure that the information provided on this document is correct at the time of creation. Finally, Utopia Furniture Ltd reserve the right to alter materials and specifications in line with continuing programme of production and service development.

CHIC | CHIC TALL STORAGE UNIT RH - PULL

CHC030/***



Number	Part Code	Part Description
1	CA0779	350 TALL DOOR UNIT RH CARCASS ONLY
2	DR0351	349 X 748 DOOR
3	DR0352	349 X 748 DOOR
4	SH0159	314 X 235 SHELF (16MM MFC)
5	800.FIT.00030	BASE WALL HANGING KIT
6	800.FIT.00109	SHALLOW CUP HINGE KIT

Where applicable please note when ordering unit frontage's or carcasses, the style and colour will need to be specified.

Additional Documentation

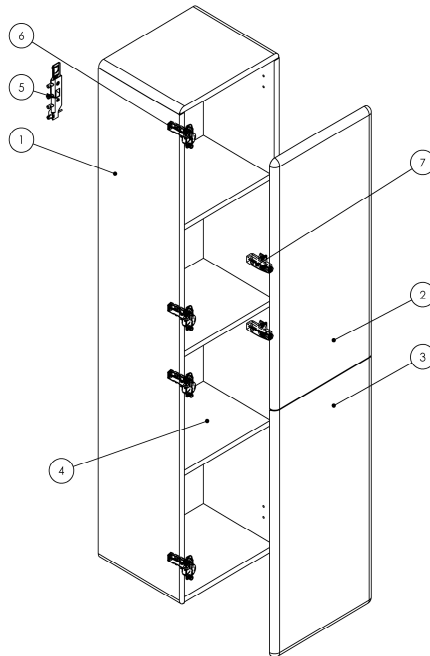
Additional Documentation available on our website www.utopiagroup.com.

Every effort has been made to ensure that the information provided on this document is correct at the time of creation. Finally, Utopia Furniture Ltd reserve the right to alter materials and specifications in line with continuing programme of production and service development.

CHIC | CHIC TALL STORAGE UNIT LH - P2OPEN*

CHC031/***

***Push to Open**



Number	Part Code	Part Description
1	CA0776	350 TALL DOOR UNIT LH CARCASS ONLY - PTO
2	DR0351	349 X 748 DOOR
3	DR0352	349 X 748 DOOR
4	SH0159	314 X 235 SHELF (16MM MFC)
5	800.FIT.00030	BASE WALL HANGING KIT
6	800.FIT.00109	SHALLOW CUP HINGE KIT
7	800.FIT.0003	TOUCH TO OPEN KIT

Where applicable please note when ordering unit frontage's or carcasses, the style and colour will need to be specified.

Additional Documentation

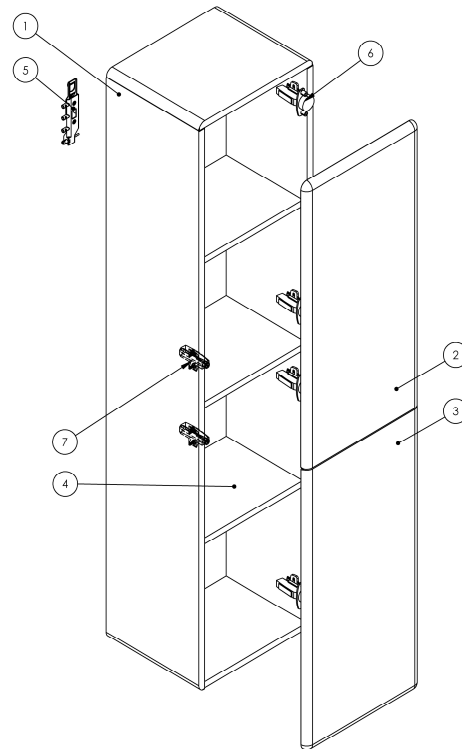
Additional Documentation available on our website www.utopiagroup.com.

Every effort has been made to ensure that the information provided on this document is correct at the time of creation. Finally, Utopia Furniture Ltd reserve the right to alter materials and specifications in line with continuing programme of production and service development.

CHIC | CHIC TALL STORAGE UNIT RH - P2OPEN*

CHC032/***

***Push to Open**



Number	Part Code	Part Description
1	CA0777	350 TALL DOOR UNIT LH CARCASS ONLY - PTO
2	DR0351	349 X 748 DOOR
3	DR0352	349 X 748 DOOR
4	SH0159	314 X 235 SHELF (16MM MFC)
5	800.FIT.00030	BASE WALL HANGING KIT
6	800.FIT.00109	SHALLOW CUP HINGE KIT
7	800.FIT.0003	TOUCH TO OPEN KIT

Where applicable please note when ordering unit frontage's or carcasses, the style and colour will need to be specified.

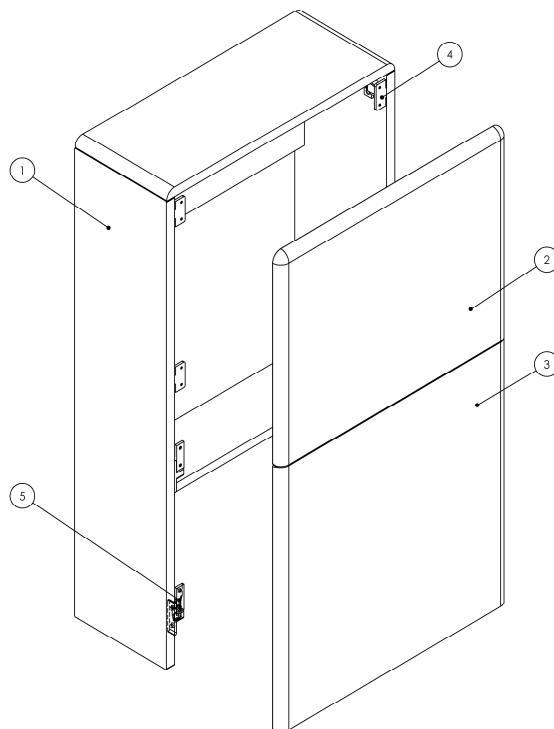
Additional Documentation

Additional Documentation available on our website www.utopiagroup.com.

Every effort has been made to ensure that the information provided on this document is correct at the time of creation. Finally, Utopia Furniture Ltd reserve the right to alter materials and specifications in line with continuing programme of production and service development.

CHIC | CHIC TOILET UNIT 500

CHC033/***



Number	Part Code	Part Description
1	CA0780	500 WCU - CARCASS ONLY
2	FA0248	499 X 397 WCU TOP FASCIA
3	FA0247	499 X 497 WCU BOTTOM FASCIA
4	800.ACC.00017	PUSHFIT KEKU
5	800.ACC.00018	SLIDE FITTING KEKU

Where applicable please note when ordering unit frontage's or carcasses, the style and colour will need to be specified.

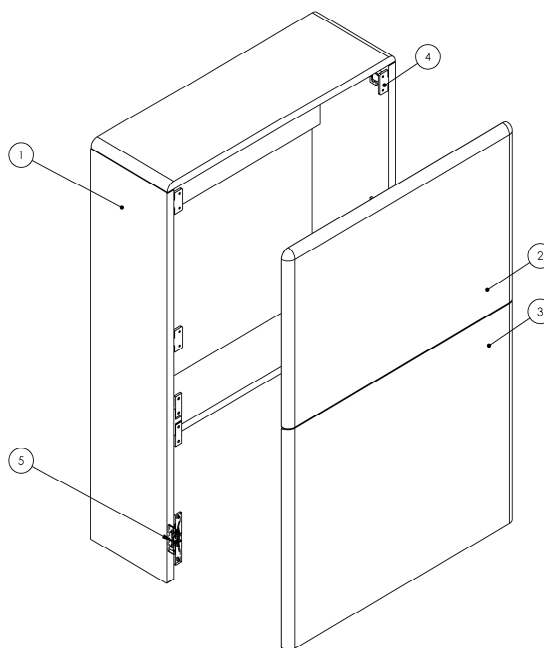
Additional Documentation

Additional Documentation available on our website www.utopiagroup.com.

Every effort has been made to ensure that the information provided on this document is correct at the time of creation. Finally, Utopia Furniture Ltd reserve the right to alter materials and specifications in line with continuing programme of production and service development.

CHIC | CHIC TOILET UNIT 600

CHC034/***



Number	Part Code	Part Description
1	CA0781	500 WCU - CARCASS ONLY
2	FA0245	599 X 397 WCU TOP FASCIA
3	FA0249	599 X 497 WCU BOTTOM FASCIA
4	800.ACC.00017	PUSHFIT KEKU
5	800.ACC.00018	SLIDE FITTING KEKU

Where applicable please note when ordering unit frontage's or carcasses, the style and colour will need to be specified.

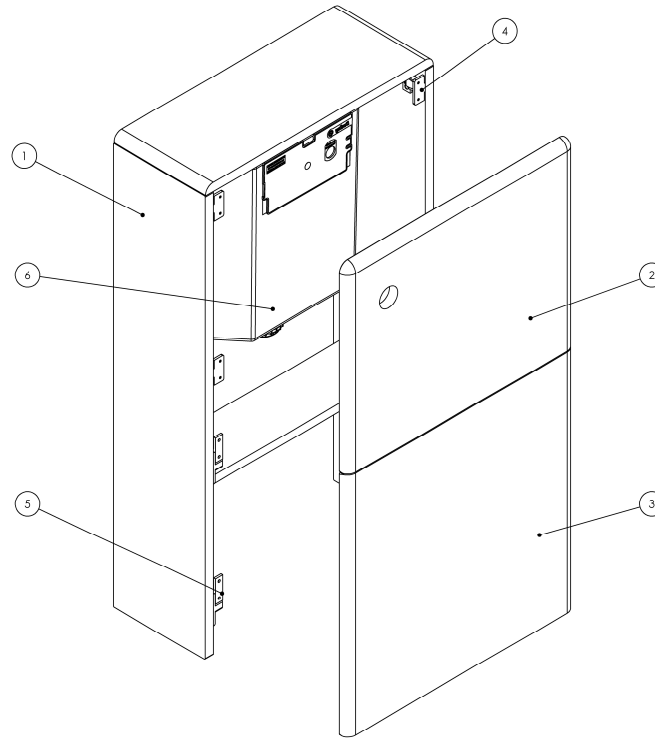
Additional Documentation

Additional Documentation available on our website www.utopiagroup.com.

Every effort has been made to ensure that the information provided on this document is correct at the time of creation. Finally, Utopia Furniture Ltd reserve the right to alter materials and specifications in line with continuing programme of production and service development.

CHIC | CHIC TOILET UNIT 500 INC CONCEALED CISTERN

CHC035/***



Number	Part Code	Part Description
1	CA0780	500 WCU - CARCASS ONLY
2	FA0246	499 X 397 WCU TOP FASCIA WITH PB
3	FA0247	499 X 497 WCU BOTTOM FASCIA
4	800.ACC.00017	PUSHFIT KEKU
5	800.ACC.00018	SLIDE FITTING KEKU
6	800.SAN.00157	PRESTIGE CAT 5 CISTERN AND FLUSH PIPE

Where applicable please note when ordering unit frontage's or carcasses, the style and colour will need to be specified.

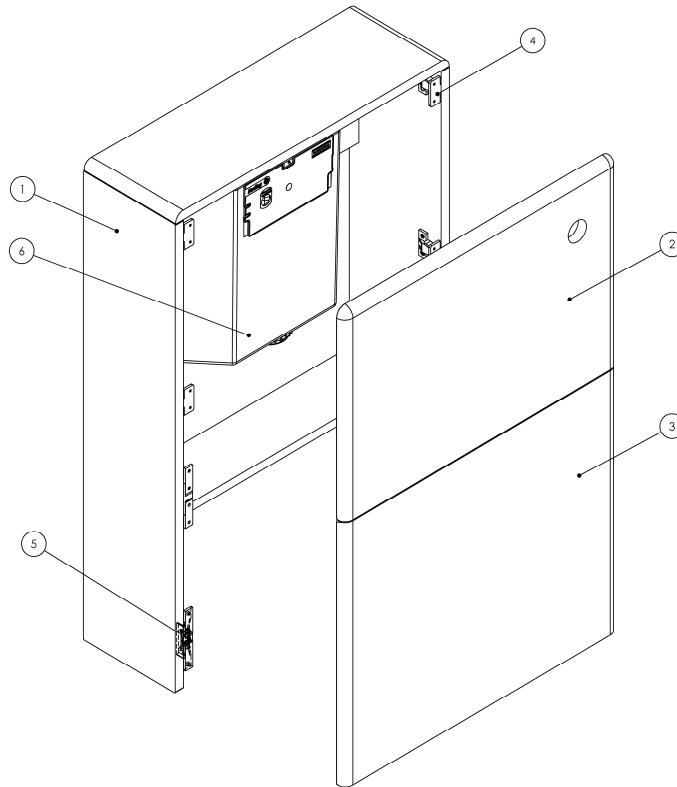
Additional Documentation

Additional Documentation available on our website www.utopiagroup.com.

Every effort has been made to ensure that the information provided on this document is correct at the time of creation. Finally, Utopia Furniture Ltd reserve the right to alter materials and specifications in line with continuing programme of production and service development.

CHIC | CHIC TOILET UNIT 600 INC CONCEALED CISTERN

CHC036/***



Number	Part Code	Part Description
1	CA0781	500 WCU - CARCASS ONLY
2	FA0269	599 X 397 WCU TOP FASCIA WITH PB
3	FA0245	599 X 497 WCU BOTTOM FASCIA
4	800.ACC.00017	PUSHFIT KEKU
5	800.ACC.00018	SLIDE FITTING KEKU
6	800.SAN.00157	PRESTIGE CAT 5 CISTERN AND FLUSH PIPE

Where applicable please note when ordering unit frontage's or carcasses, the style and colour will need to be specified.

Additional Documentation

Additional Documentation available on our website www.utopiagroup.com.

Every effort has been made to ensure that the information provided on this document is correct at the time of creation. Finally, Utopia Furniture Ltd reserve the right to alter materials and specifications in line with continuing programme of production and service development.