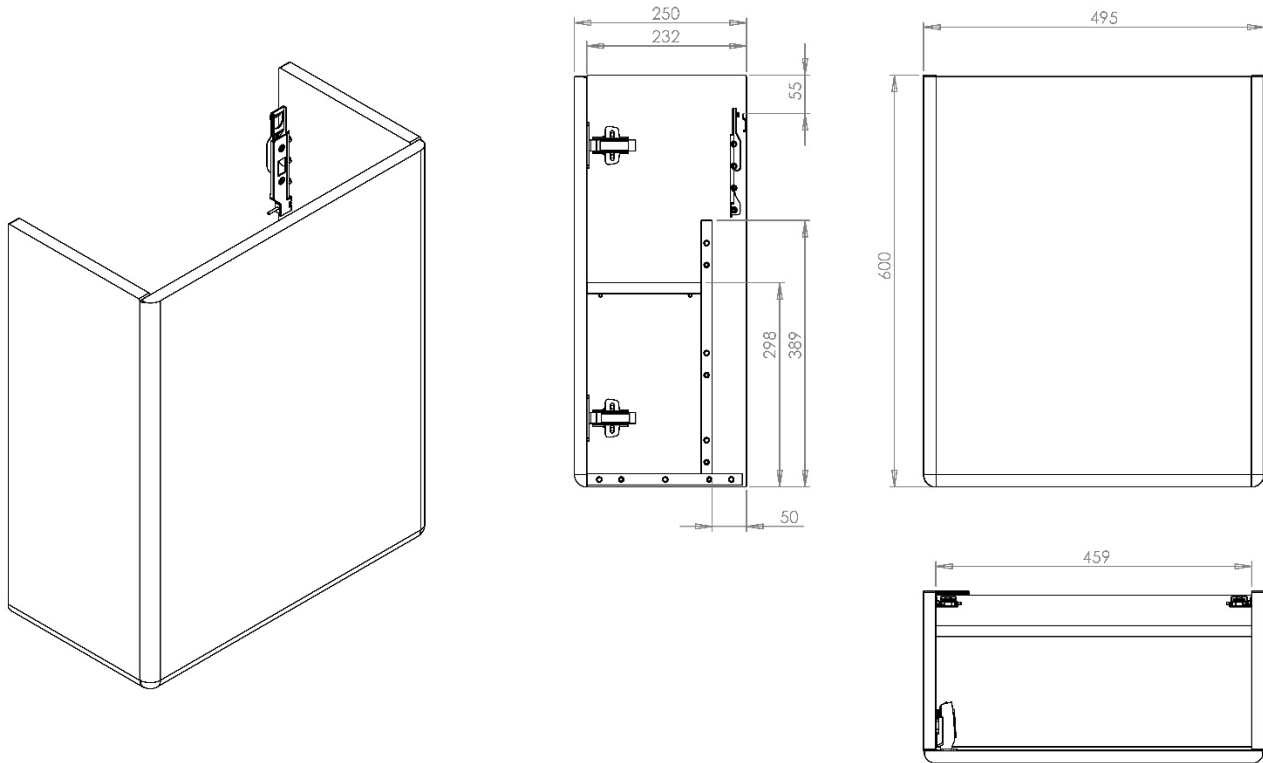


CHIC | 500MM CLOAKROOM UNIT – PULL

CHC001/*, CHC002/*****



For products purchased prior to 9th March 2026, we kindly ask that for any remedial enquiries that you contact Utopia Customer Services on 01902 406 402 or email customersupport@utopiagroup.com for additional support and guidance.

All dimension in mm. Please check dimensions prior to installation as they can vary due to manufacturing tolerances.

Product Details

Type:	Cloakroom Washbasin Unit
Width:	495
Depth:	250
Height:	600
Product Weight*:	14.588kg
Tolerances:	+/- 2mm
Guarantee Period:	5 Years (For Domestic Use) 1 Years (For Commercial Use)
Drawer Box Capacity:	N/A

Product Specification

Fascia Material:	18mm MDF
Carcass Material:	18mm MDF/16mm MFC
Available accessories:	Please refer to the Pricelist for further details
Opening Mechanism:	Pull Handle
Adjustable Legs:	N/A
Quantity of Shelves:	1 Plus Base
Shelving Type:	MFC
Handing:	Available Left or Right Hand

*Product Weight includes packaging.

Features

- FSC Certified
- Soft Close
- Assembled

Additional Documentation

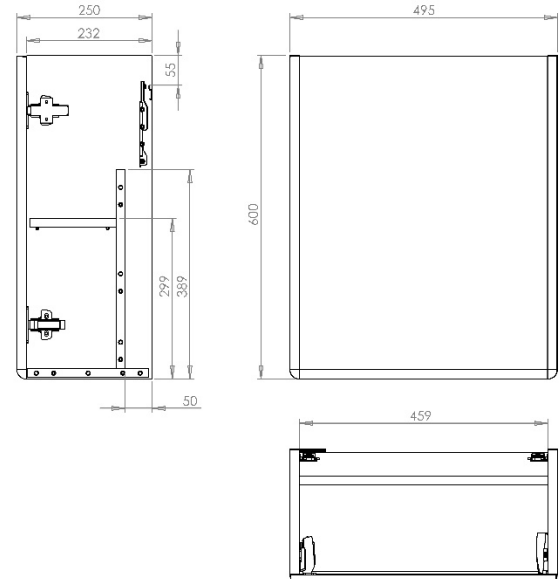
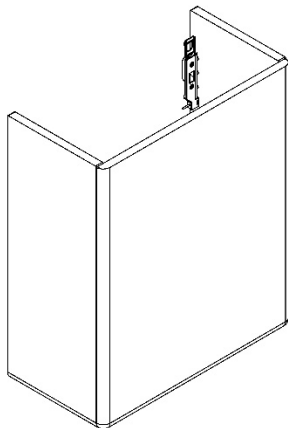
Additional Documentation available on our website www.utopiagroup.com

Every effort has been made to ensure that the information provided on this document is correct at the time of creation. Finally, Utopia Furniture Ltd reserve the right to alter materials and specifications in line with continuing programme of production and service development.

CHIC | 500MM CLOAKROOM UNIT – P2OPEN*

CHC003/***, CHC004/***

***Push to Open**



For products purchased prior to 9th March 2026, we kindly ask that for any remedial enquiries that you contact Utopia Customer Services on 01902 406 402 or email customersupport@utopiagroup.com for additional support and guidance.

All dimension in mm. Please check dimensions prior to installation as they can vary due to manufacturing tolerances.

Product Details

Product Specification

Type:	Cloakroom Washbasin Unit
Width:	495
Depth:	250
Height:	600
Product Weight*:	14.588kg
EAN Code:	Available on request
Tolerances:	+/- 2mm
Guarantee Period:	5 Years (For Domestic Use) 1 Years (For Commercial Use)
Drawer Box Capacity:	N/A

Fascia Material:	18mm MDF
Carcass Material:	18mm MDF/16mm MFC
Available accessories:	Please refer to the Pricelist for further details
Opening Mechanism:	Push to Open
Adjustable Legs:	N/A
Quantity of Shelves:	1 Plus Base
Shelving Type:	MFC
Handing:	Available Left or Right Hand

*Product Weight includes packaging.

Features

- FSC Certified
- Soft Close
- Assembled
- Handleless
- Push to Open

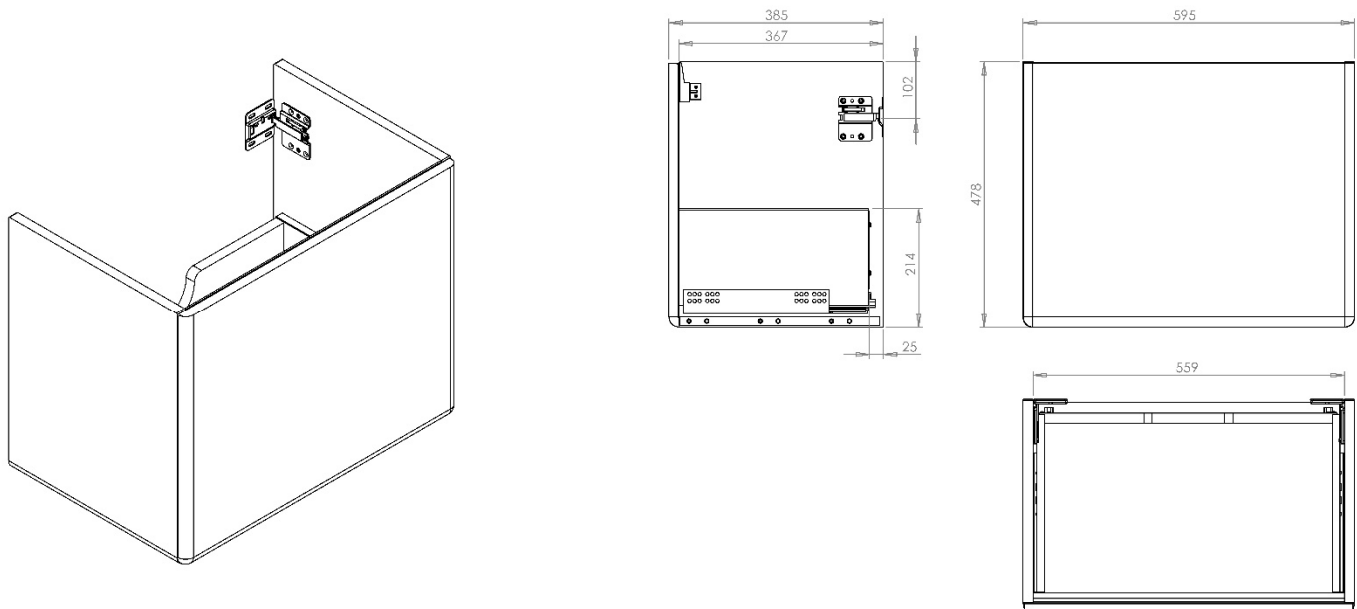
Additional Documentation

Additional Documentation available on our website www.utopiagroup.com

Every effort has been made to ensure that the information provided on this document is correct at the time of creation. Finally, Utopia Furniture Ltd reserve the right to alter materials and specifications in line with continuing programme of production and service development.

CHIC | 600 WM SINGLE DRAWER WBU FOR SLABTOP BASIN - PULL

CHC005/***



For products purchased prior to 9th March 2026, we kindly ask that for any remedial enquiries that you contact Utopia Customer Services on 01902 406 402 or email customersupport@utopiagroup.com for additional support and guidance.

All dimension in mm. Please check dimensions prior to installation as they can vary due to manufacturing tolerances.

Product Details

Type:	Single Drawer Washbasin Unit
Width:	595
Depth:	385
Height:	478
Product Weight*:	20.80kg
Tolerances:	+/- 2mm
Guarantee Period:	5 Years (For Domestic Use) 1 Years (For Commercial Use)
Drawer Box Capacity:	30kg

Product Specification

Fascia Material:	18mm MDF
Carcass Material:	18mm MDF/16mm MFC
Available accessories:	Please refer to the Pricelist for further details
Opening Mechanism:	Pull Handle
Adjustable Legs:	N/A
Quantity of Shelves:	N/A
Shelving Type:	N/A
Handing:	N/A

*Product Weight includes packaging.

Features

- FSC Certified
- Soft Close
- Assembled

Additional Documentation

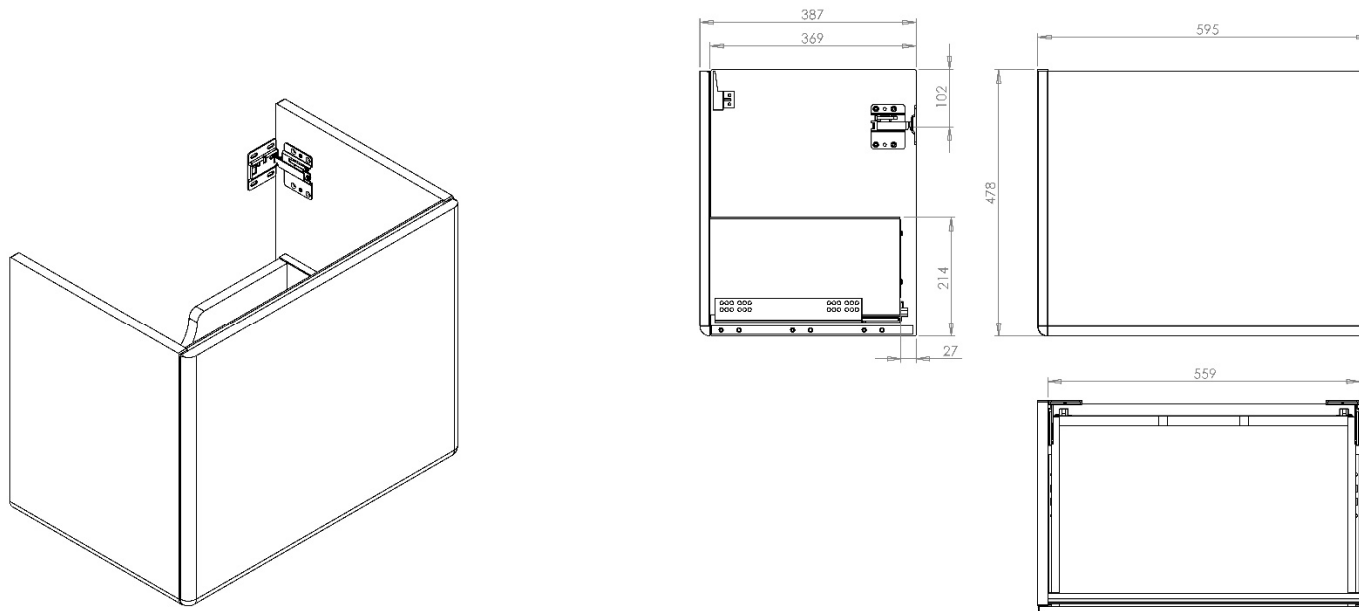
Additional Documentation available on our website www.utopiagroup.com

Every effort has been made to ensure that the information provided on this document is correct at the time of creation. Finally, Utopia Furniture Ltd reserve the right to alter materials and specifications in line with continuing programme of production and service development.

CHIC | 600 WM SINGLE DRAWER WBU FOR SLABTOP BASIN – P2Open*

CHC006/***

*Push to Open



For products purchased prior to 9th March 2026, we kindly ask that for any remedial enquiries that you contact Utopia Customer Services on 01902 406 402 or email customersupport@utopiagroup.com for additional support and guidance.

All dimension in mm. Please check dimensions prior to installation as they can vary due to manufacturing tolerances.

Product Details

Type:	Single Drawer Washbasin Unit
Width:	595
Depth:	387
Height:	478
Product Weight*:	20.80kg
Tolerances:	+/- 2mm
Guarantee Period:	5 Years (For Domestic Use) 1 Years (For Commercial Use)
Drawer Box Capacity:	30kg

Product Specification

Fascia Material:	18mm MDF
Carcass Material:	18mm MDF/16mm MFC
Available accessories:	Please refer to the Pricelist for further details
Opening Mechanism:	Push to Open
Adjustable Legs:	N/A
Quantity of Shelves:	N/A
Shelving Type:	N/A
Handing:	N/A

*Product Weight includes packaging.

Features

- FSC Certified
- Soft Close
- Assembled
- Handleless
- Push to Open

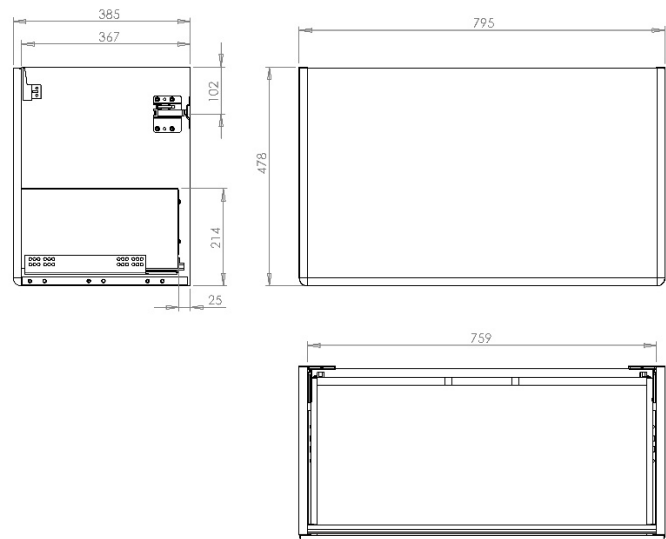
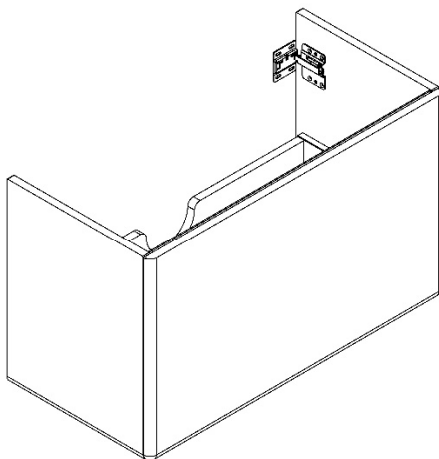
Additional Documentation

Additional Documentation available on our website www.utopiagroup.com

Every effort has been made to ensure that the information provided on this document is correct at the time of creation. Finally, Utopia Furniture Ltd reserve the right to alter materials and specifications in line with continuing programme of production and service development.

CHIC | 800 WM SINGLE DRAWER WBU FOR SLABTOP BASIN - PULL

CHC007/***



For products purchased prior to 9th March 2026, we kindly ask that for any remedial enquiries that you contact Utopia Customer Services on 01902 406 402 or email customersupport@utopiagroup.com for additional support and guidance.

All dimension in mm. Please check dimensions prior to installation as they can vary due to manufacturing tolerances.

Product Details

Type:	Single Drawer Washbasin Unit
Width:	795
Depth:	385
Height:	478
Product Weight*:	24.60 kg
Tolerances:	+/- 2mm
Guarantee Period:	5 Years (For Domestic Use) 1 Years (For Commercial Use)
Drawer Box Capacity:	30kg

Product Specification

Fascia Material:	18mm MDF
Carcass Material:	18mm MDF/16mm MFC
Available accessories:	Please refer to the Pricelist for further details
Opening Mechanism:	Pull Handle
Adjustable Legs:	N/A
Quantity of Shelves:	N/A
Shelving Type:	N/A
Handing:	N/A

*Product Weight includes packaging.

Features

- FSC Certified
- Soft Close
- Assembled

Additional Documentation

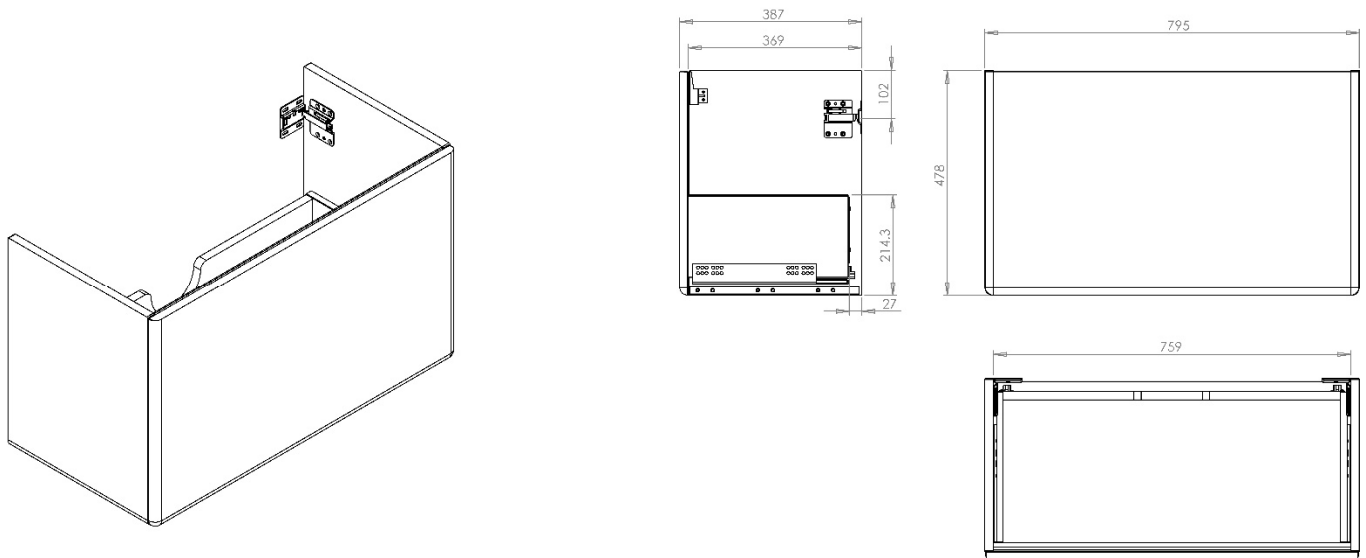
Additional Documentation available on our website www.utopiagroup.com

Every effort has been made to ensure that the information provided on this document is correct at the time of creation. Finally, Utopia Furniture Ltd reserve the right to alter materials and specifications in line with continuing programme of production and service development.

CHIC | 800 WM SINGLE DRAWER WBU FOR SLABTOP BASIN – P2Open*

CHC008/***

*Push to Open



For products purchased prior to 9th March 2026, we kindly ask that for any remedial enquiries that you contact Utopia Customer Services on 01902 406 402 or email customersupport@utopiagroup.com for additional support and guidance.

All dimension in mm. Please check dimensions prior to installation as they can vary due to manufacturing tolerances.

Product Details

Product Specification

Type:	Single Drawer Washbasin Unit
Width:	595
Depth:	387
Height:	478
Product Weight*:	24.60kg
Tolerances:	+/- 2mm
Guarantee Period:	5 Years (For Domestic Use) 1 Years (For Commercial Use)
Drawer Box Capacity:	30kg

Fascia Material:	18mm MDF
Carcass Material:	18mm MDF/16mm MFC
Available accessories:	Please refer to the Pricelist for further details
Opening Mechanism:	Push to Open
Adjustable Legs:	N/A
Quantity of Shelves:	N/A
Shelving Type:	N/A
Handing:	N/A

*Product Weight includes packaging.

Features

- FSC Certified
- Soft Close
- Assembled
- Handleless
- Push to Open

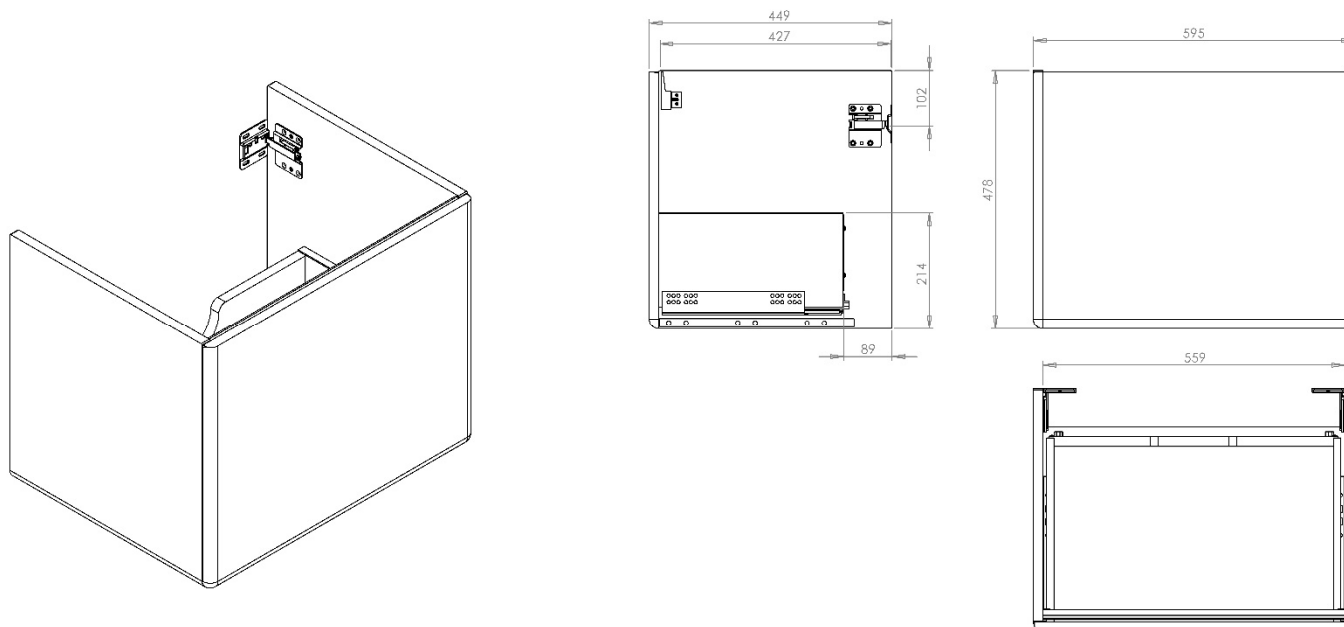
Additional Documentation

Additional Documentation available on our website www.utopiagroup.com

Every effort has been made to ensure that the information provided on this document is correct at the time of creation. Finally, Utopia Furniture Ltd reserve the right to alter materials and specifications in line with continuing programme of production and service development.

CHIC | 600 WM SINGLE DRAWER WBU FOR SIT ON BASIN - PULL

CHC009/***



For products purchased prior to 9th March 2026, we kindly ask that for any remedial enquiries that you contact Utopia Customer Services on 01902 406 402 or email customersupport@utopiagroup.com for additional support and guidance.

All dimension in mm. Please check dimensions prior to installation as they can vary due to manufacturing tolerances.

Product Details

Type:	Single Drawer Washbasin Unit
Width:	595
Depth:	449
Height:	478
Product Weight*:	21.80kg
Tolerances:	+/- 2mm
Guarantee Period:	5 Years (For Domestic Use) 1 Years (For Commercial Use)
Drawer Box Capacity:	30kg

Product Specification

Fascia Material:	18mm MDF
Carcass Material:	18mm MDF/16mm MFC
Available accessories:	Please refer to the Pricelist for further details
Opening Mechanism:	Pull Handle
Adjustable Legs:	N/A
Quantity of Shelves:	N/A
Shelving Type:	N/A
Handing:	N/A

*Product Weight includes packaging.

Features

- FSC Certified
- Soft Close
- Assembled

Additional Documentation

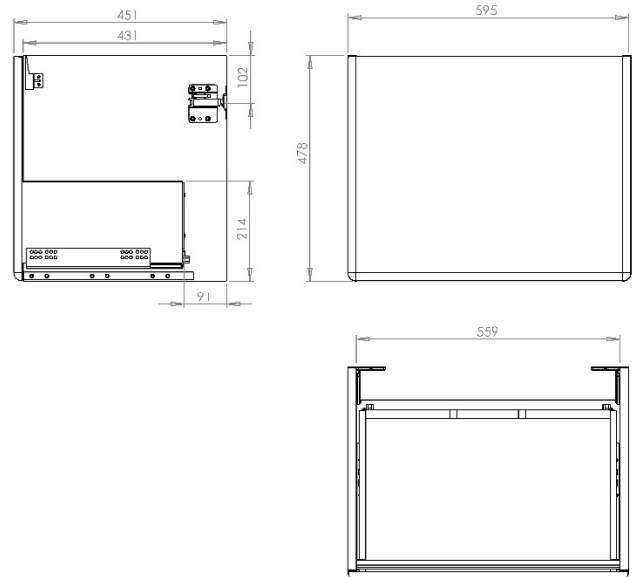
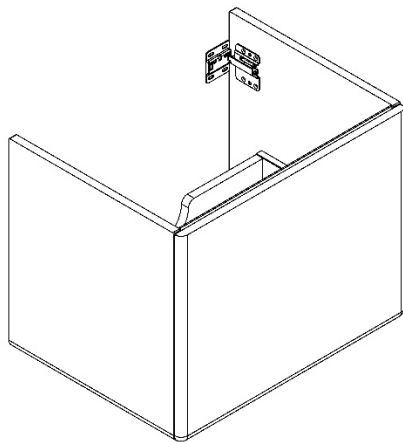
Additional Documentation available on our website www.utopiagroup.com

Every effort has been made to ensure that the information provided on this document is correct at the time of creation. Finally, Utopia Furniture Ltd reserve the right to alter materials and specifications in line with continuing programme of production and service development.

CHIC | 600 WM SINGLE DRAWER WBU FOR SIT ON BASIN – P2Open*

CHC010/***

*Push to Open



For products purchased prior to 9th March 2026, we kindly ask that for any remedial enquiries that you contact Utopia Customer Services on 01902 406 402 or email customersupport@utopiagroup.com for additional support and guidance.

All dimension in mm. Please check dimensions prior to installation as they can vary due to manufacturing tolerances.

Product Details

Product Specification

Type:	Single Drawer Washbasin Unit
Width:	595
Depth:	451
Height:	478
Product Weight*:	20.30kg
Tolerances:	+/- 2mm
Guarantee Period:	5 Years (For Domestic Use) 1 Years (For Commercial Use)
Drawer Box Capacity:	30kg

Fascia Material:	18mm MDF
Carcass Material:	18mm MDF/16mm MFC
Available accessories:	Please refer to the Pricelist for further details
Opening Mechanism:	Push to Open
Adjustable Legs:	N/A
Quantity of Shelves:	N/A
Shelving Type:	N/A
Handing:	N/A

*Product Weight includes packaging.

Features

- FSC Certified
- Soft Close
- Assembled
- Handleless
- Push to Open

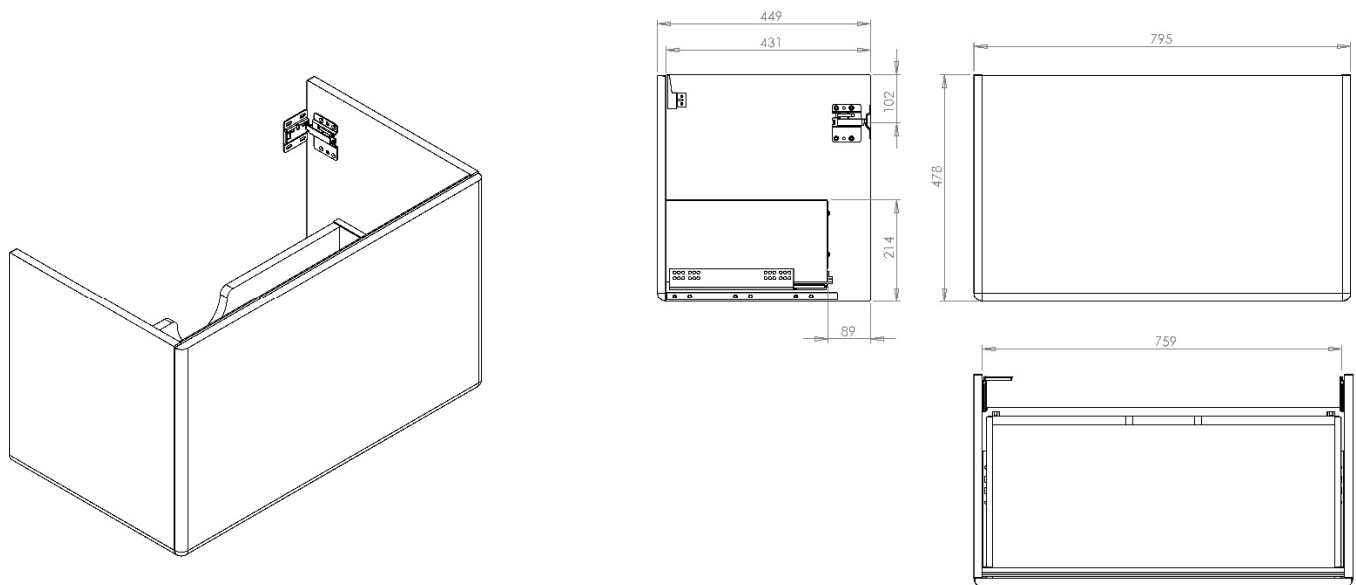
Additional Documentation

Additional Documentation available on our website www.utopiagroup.com

Every effort has been made to ensure that the information provided on this document is correct at the time of creation. Finally, Utopia Furniture Ltd reserve the right to alter materials and specifications in line with continuing programme of production and service development.

CHIC | 800 WM SINGLE DRAWER WBU FOR SIT ON BASIN - PULL

CHC011/***



For products purchased prior to 9th March 2026, we kindly ask that for any remedial enquiries that you contact Utopia Customer Services on 01902 406 402 or email customersupport@utopiagroup.com for additional support and guidance.

All dimension in mm. Please check dimensions prior to installation as they can vary due to manufacturing tolerances.

Product Details

Product Specification

Type:	Single Drawer Washbasin Unit
Width:	795
Depth:	449
Height:	478
Product Weight*:	25.60kg
Tolerances:	+/- 2mm
Guarantee Period:	5 Years (For Domestic Use) 1 Years (For Commercial Use)
Drawer Box Capacity:	30kg

Fascia Material:	18mm MDF
Carcass Material:	18mm MDF/16mm MFC
Available accessories:	Please refer to the Pricelist for further details
Opening Mechanism:	Pull Handle
Adjustable Legs:	N/A
Quantity of Shelves:	N/A
Shelving Type:	N/A
Handing:	N/A

*Product Weight includes packaging.

Features

- FSC Certified
- Soft Close
- Assembled

Additional Documentation

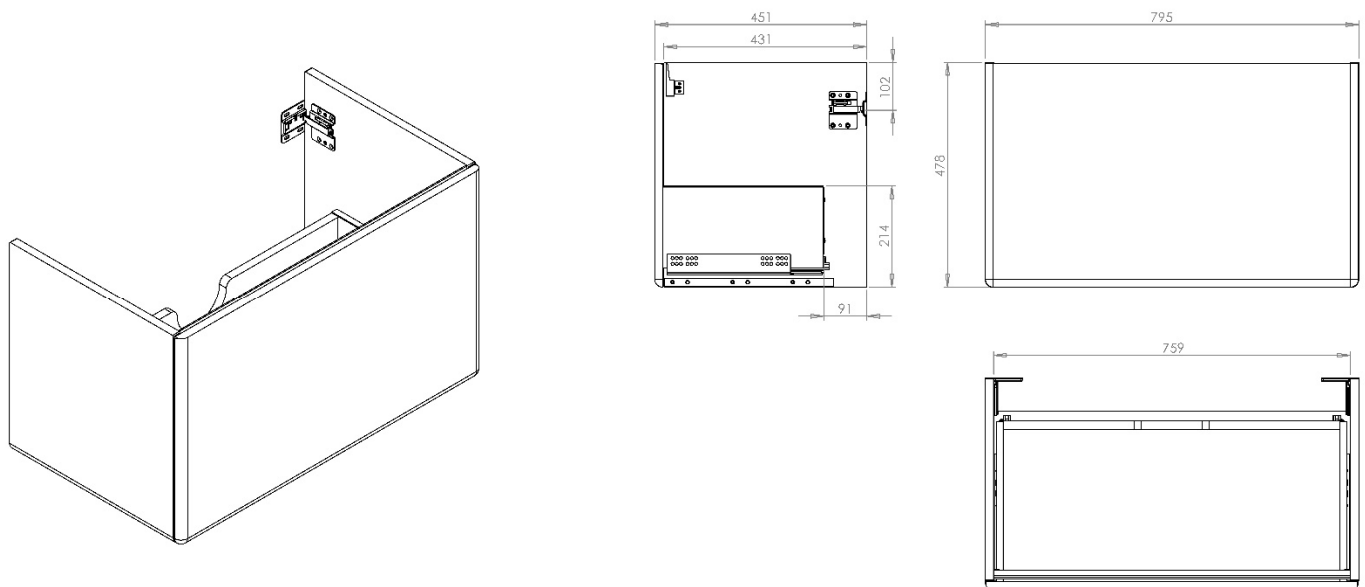
Additional Documentation available on our website www.utopiagroup.com

Every effort has been made to ensure that the information provided on this document is correct at the time of creation. Finally, Utopia Furniture Ltd reserve the right to alter materials and specifications in line with continuing programme of production and service development.

CHIC | 800 WM SINGLE DRAWER WBU FOR SIT ON BASIN – P2Open*

CHC012/***

*Push to Open



For products purchased prior to 9th March 2026, we kindly ask that for any remedial enquiries that you contact Utopia Customer Services on 01902 406 402 or email customersupport@utopiagroup.com for additional support and guidance.

All dimension in mm. Please check dimensions prior to installation as they can vary due to manufacturing tolerances.

Product Details

Product Specification

Type:	Single Drawer Washbasin Unit
Width:	795
Depth:	451
Height:	478
Product Weight*:	20.30kg
Tolerances:	+/- 2mm
Guarantee Period:	5 Years (For Domestic Use) 1 Years (For Commercial Use)
Drawer Box Capacity:	30kg

Fascia Material:	18mm MDF
Carcass Material:	18mm MDF/16mm MFC
Available accessories:	Please refer to the Pricelist for further details
Opening Mechanism:	Push to Open
Adjustable Legs:	N/A
Quantity of Shelves:	N/A
Shelving Type:	N/A
Handing:	N/A

*Product Weight includes packaging.

Features

- FSC Certified
- Soft Close
- Assembled
- Handleless
- Push to Open

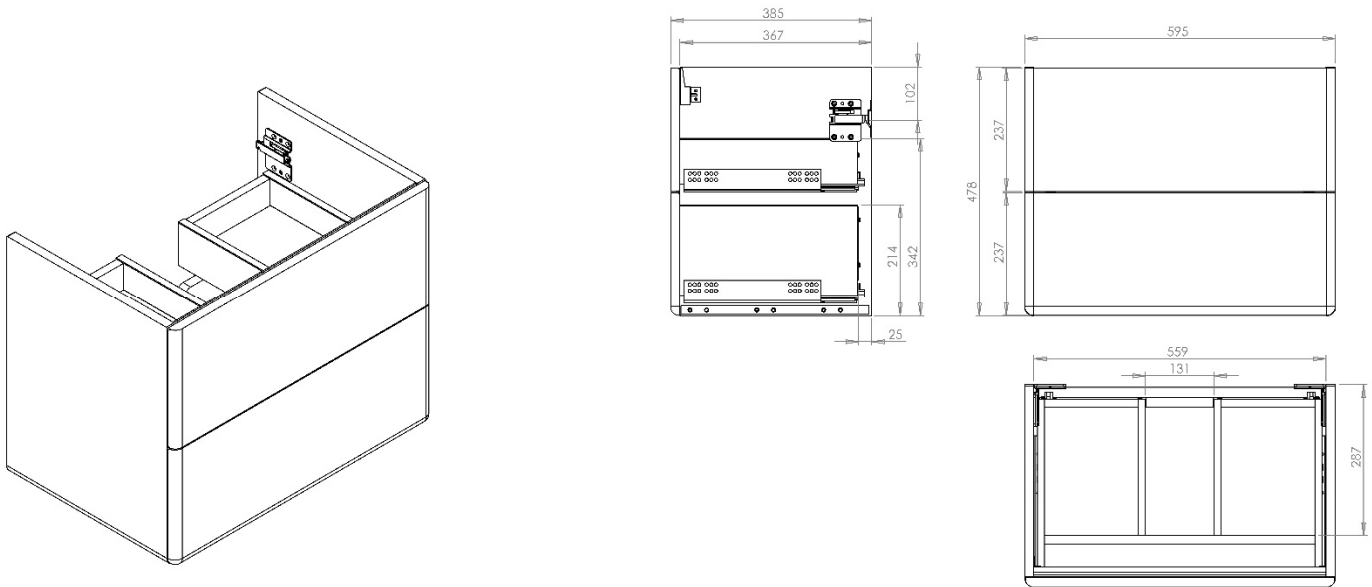
Additional Documentation

Additional Documentation available on our website www.utopiagroup.com

Every effort has been made to ensure that the information provided on this document is correct at the time of creation. Finally, Utopia Furniture Ltd reserve the right to alter materials and specifications in line with continuing programme of production and service development.

CHIC | 600 WM DBL DRAWER WBU FOR SLABTOP BASIN - PULL

CHC013/***



For products purchased prior to 9th March 2026, we kindly ask that for any remedial enquiries that you contact Utopia Customer Services on 01902 406 402 or email customersupport@utopiagroup.com for additional support and guidance.

All dimension in mm. Please check dimensions prior to installation as they can vary due to manufacturing tolerances.

Product Details

Type:	Double Drawer Washbasin Unit
Width:	595
Depth:	385
Height:	478
Product Weight*:	26.30kg
Tolerances:	+/- 2mm
Guarantee Period:	5 Years (For Domestic Use) 1 Years (For Commercial Use)
Drawer Box Capacity:	30kg

Product Specification

Fascia Material:	18mm MDF
Carcass Material:	18mm MDF/16mm MFC
Available accessories:	Please refer to the Pricelist for further details
Opening Mechanism:	Pull Handle
Adjustable Legs:	N/A
Quantity of Shelves:	N/A
Shelving Type:	N/A
Handing:	N/A

*Product Weight includes packaging.

Features

- FSC Certified
- Soft Close
- Assembled

Additional Documentation

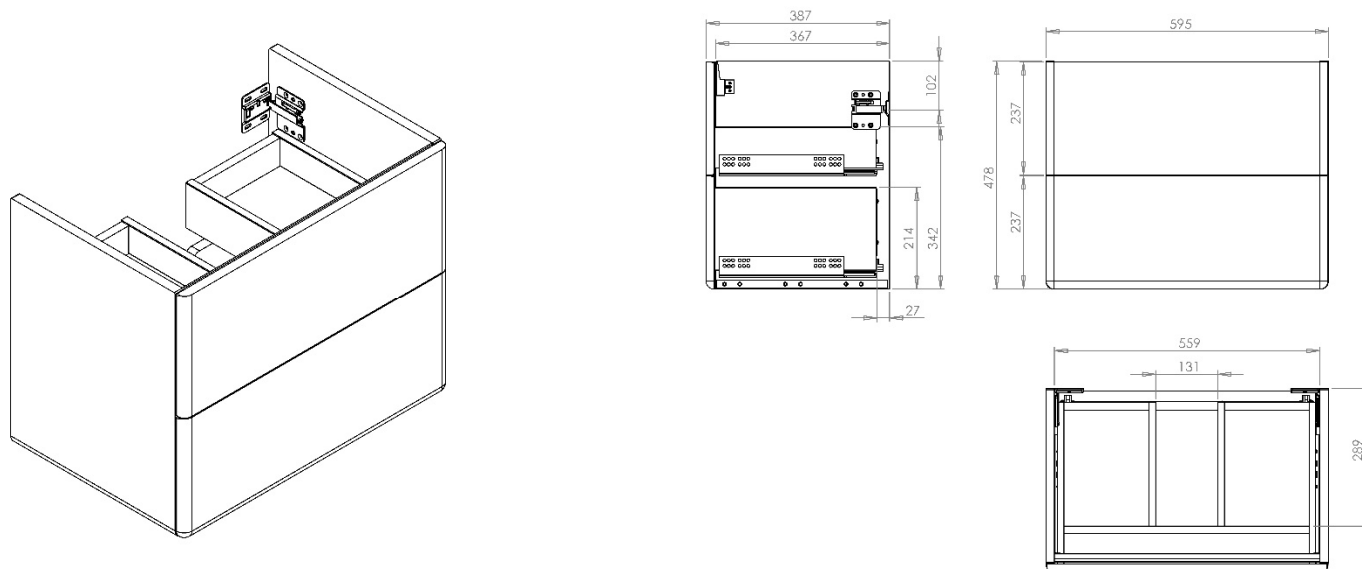
Additional Documentation available on our website www.utopiagroup.com

Every effort has been made to ensure that the information provided on this document is correct at the time of creation. Finally, Utopia Furniture Ltd reserve the right to alter materials and specifications in line with continuing programme of production and service development.

CHIC | 600 WM DOUBLE DRAWER WBU FOR SLABTOP BASIN – P2Open*

CHC014/***

*Push to Open



For products purchased prior to 9th March 2026, we kindly ask that for any remedial enquiries that you contact Utopia Customer Services on 01902 406 402 or email customersupport@utopiagroup.com for additional support and guidance.

All dimension in mm. Please check dimensions prior to installation as they can vary due to manufacturing tolerances.

Product Details

Product Specification

Type:	Double Drawer Washbasin Unit
Width:	595
Depth:	387
Height:	478
Product Weight*:	20.30kg
Tolerances:	+/- 2mm
Guarantee Period:	5 Years (For Domestic Use) 1 Years (For Commercial Use)
Drawer Box Capacity:	30kg

Fascia Material:	18mm MDF
Carcass Material:	18mm MDF/16mm MFC
Available accessories:	Please refer to the Pricelist for further details
Opening Mechanism:	Push to Open
Adjustable Legs:	N/A
Quantity of Shelves:	N/A
Shelving Type:	N/A
Handing:	N/A

*Product Weight includes packaging.

Features

- FSC Certified
- Soft Close
- Assembled
- Handleless
- Push to Open

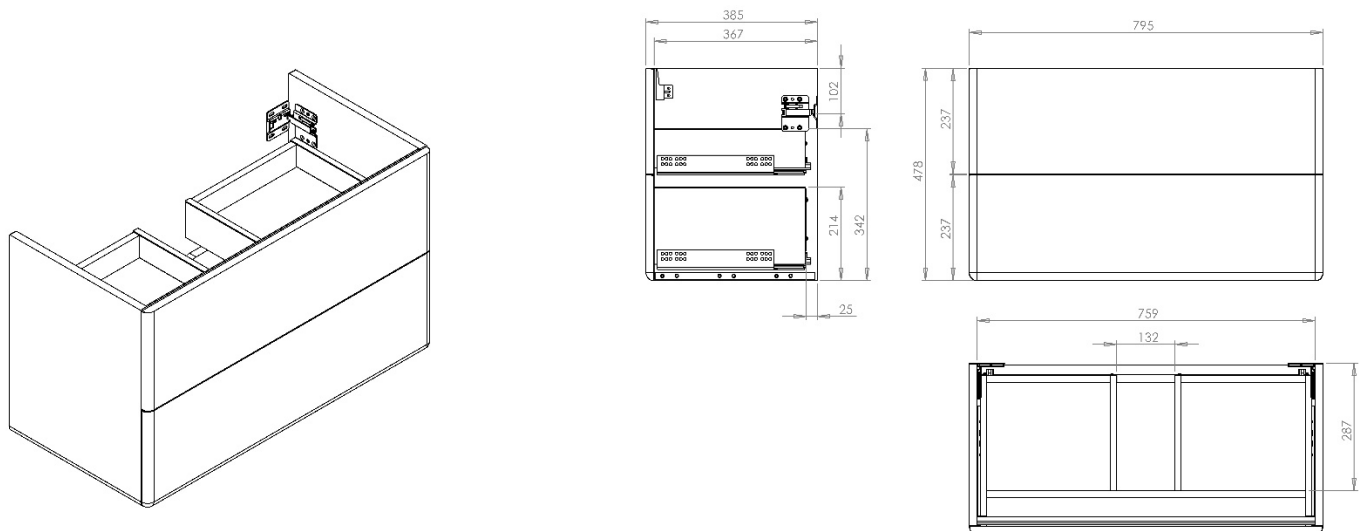
Additional Documentation

Additional Documentation available on our website www.utopiagroup.com

Every effort has been made to ensure that the information provided on this document is correct at the time of creation. Finally, Utopia Furniture Ltd reserve the right to alter materials and specifications in line with continuing programme of production and service development.

CHIC | 800 WM DBL DRAWER WBU FOR SLABTOP BASIN - PULL

CHC015/***



For products purchased prior to 9th March 2026, we kindly ask that for any remedial enquiries that you contact Utopia Customer Services on 01902 406 402 or email customersupport@utopiagroup.com for additional support and guidance.

All dimension in mm. Please check dimensions prior to installation as they can vary due to manufacturing tolerances.

Product Details

Type:	Double Drawer Washbasin Unit
Width:	795
Depth:	385
Height:	478
Product Weight*:	31.10kg
Tolerances:	+/- 2mm
Guarantee Period:	5 Years (For Domestic Use) 1 Years (For Commercial Use)
Drawer Box Capacity:	30kg

Product Specification

Fascia Material:	18mm MDF
Carcass Material:	18mm MDF/16mm MFC
Available accessories:	Please refer to the Pricelist for further details
Opening Mechanism:	Pull Handle
Adjustable Legs:	N/A
Quantity of Shelves:	N/A
Shelving Type:	N/A
Handing:	N/A

*Product Weight includes packaging.

Features

- FSC Certified
- Soft Close
- Assembled

Additional Documentation

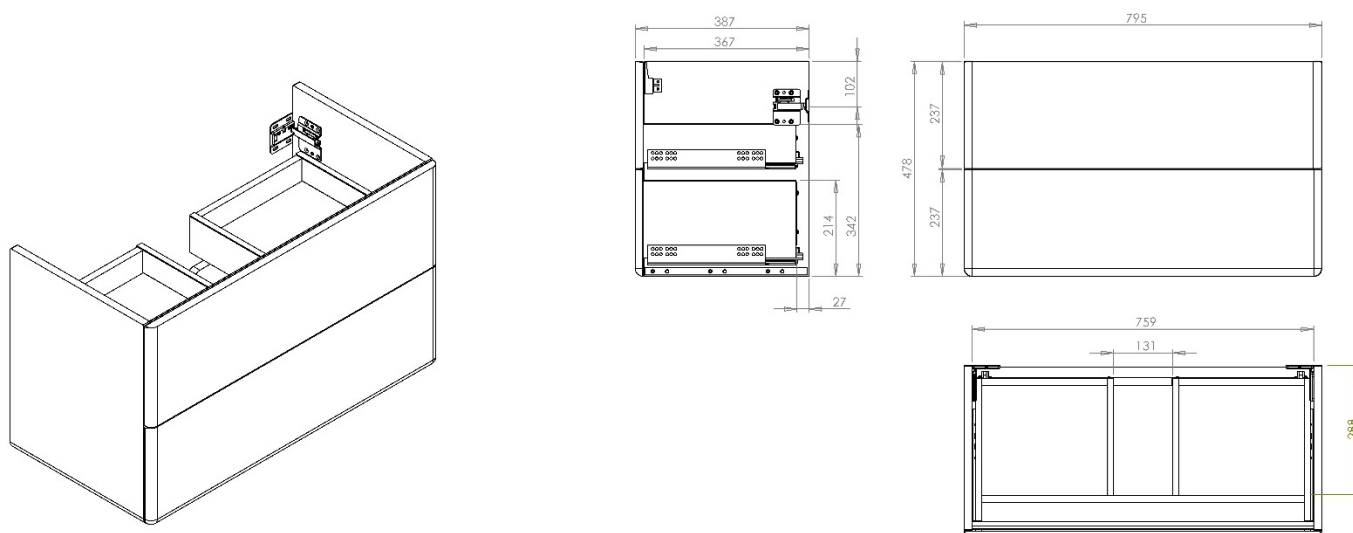
Additional Documentation available on our website www.utopiagroup.com

Every effort has been made to ensure that the information provided on this document is correct at the time of creation. Finally, Utopia Furniture Ltd reserve the right to alter materials and specifications in line with continuing programme of production and service development.

CHIC | 800 WM DBL DRAWER WBU FOR SLABTOP BASIN – P2Open*

CHC016/***

*Push to Open



For products purchased prior to 9th March 2026, we kindly ask that for any remedial enquiries that you contact Utopia Customer Services on 01902 406 402 or email customersupport@utopiagroup.com for additional support and guidance.

All dimension in mm. Please check dimensions prior to installation as they can vary due to manufacturing tolerances.

Product Details

Product Specification

Type:	Double Drawer Washbasin Unit
Width:	795
Depth:	387
Height:	478
Product Weight*:	20.30kg
Tolerances:	+/- 2mm
Guarantee Period:	5 Years (For Domestic Use) 1 Years (For Commercial Use)
Drawer Box Capacity:	30kg

Fascia Material:	18mm MDF
Carcass Material:	18mm MDF/16mm MFC
Available accessories:	Please refer to the Pricelist for further details
Opening Mechanism:	Push to Open
Adjustable Legs:	N/A
Quantity of Shelves:	N/A
Shelving Type:	N/A
Handing:	N/A

*Product Weight includes packaging.

Features

- FSC Certified
- Soft Close
- Assembled
- Handleless
- Push to Open

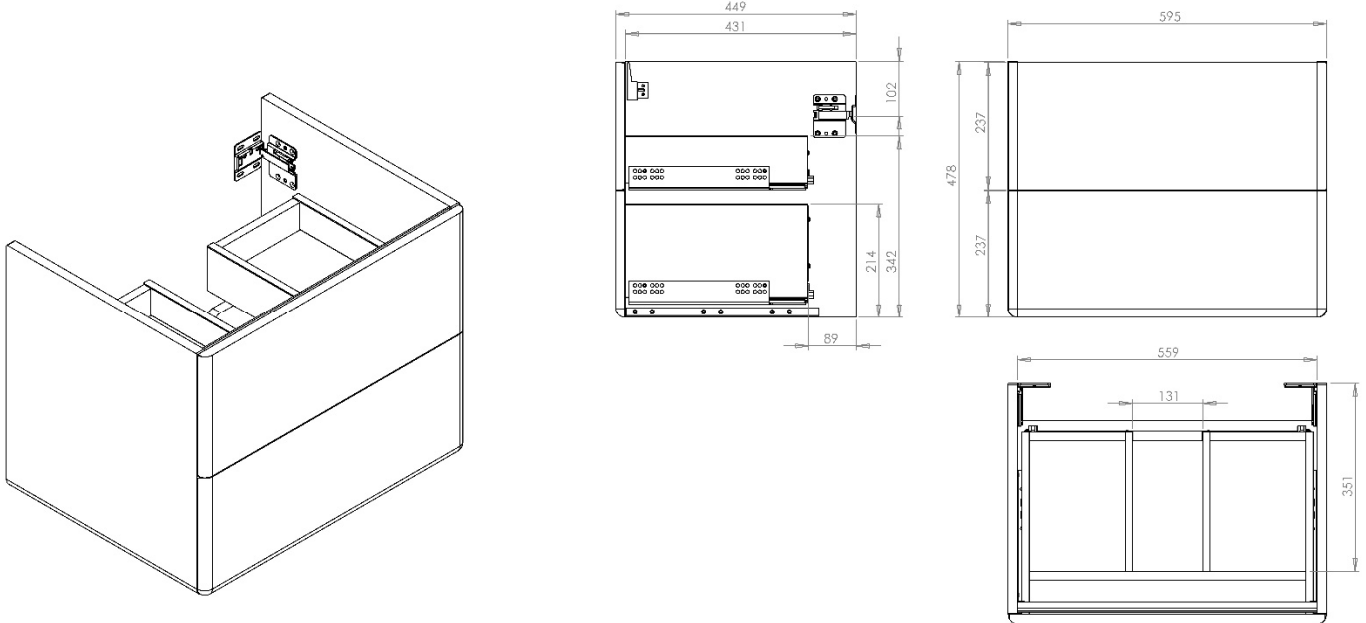
Additional Documentation

Additional Documentation available on our website www.utopiagroup.com

Every effort has been made to ensure that the information provided on this document is correct at the time of creation. Finally, Utopia Furniture Ltd reserve the right to alter materials and specifications in line with continuing programme of production and service development.

CHIC | 600 WM DBL DRAWER WBU FOR SIT ON BASIN - PULL

CHC017/***



For products purchased prior to 9th March 2026, we kindly ask that for any remedial enquiries that you contact Utopia Customer Services on 01902 406 402 or email customersupport@utopiagroup.com for additional support and guidance.

All dimension in mm. Please check dimensions prior to installation as they can vary due to manufacturing tolerances.

Product Details

Type:	Double Drawer Washbasin Unit
Width:	595
Depth:	449
Height:	478
Product Weight*:	27.30kg
Tolerances:	+/- 2mm
Guarantee Period:	5 Years (For Domestic Use) 1 Years (For Commercial Use)
Drawer Box Capacity:	30kg

Product Specification

Fascia Material:	18mm MDF
Carcass Material:	18mm MDF/16mm MFC
Available accessories:	Please refer to the Pricelist for further details
Opening Mechanism:	Pull Handle
Adjustable Legs:	N/A
Quantity of Shelves:	N/A
Shelving Type:	N/A
Handing:	N/A

*Product Weight includes packaging.

Features

- FSC Certified
- Soft Close
- Assembled

Additional Documentation

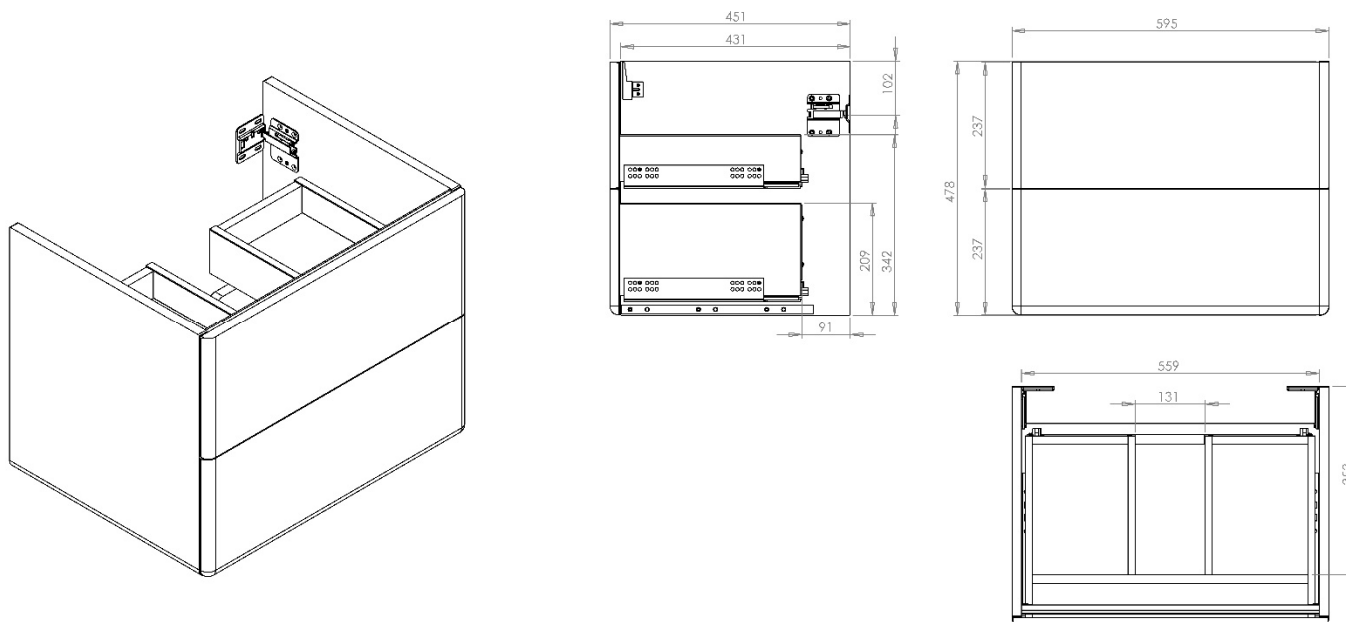
Additional Documentation available on our website www.utopiagroup.com

Every effort has been made to ensure that the information provided on this document is correct at the time of creation. Finally, Utopia Furniture Ltd reserve the right to alter materials and specifications in line with continuing programme of production and service development.

CHIC | 600 WM DBL DRAWER WBU FOR SIT ON BASIN – P2Open*

CHC018/***

*Push to Open



For products purchased prior to 9th March 2026, we kindly ask that for any remedial enquiries that you contact Utopia Customer Services on 01902 406 402 or email customersupport@utopiagroup.com for additional support and guidance.

All dimension in mm. Please check dimensions prior to installation as they can vary due to manufacturing tolerances.

Product Details

Type:	Double Drawer Washbasin Unit
Width:	595
Depth:	451
Height:	478
Product Weight*:	20.30kg
Tolerances:	+/- 2mm
Guarantee Period:	5 Years (For Domestic Use) 1 Years (For Commercial Use)
Drawer Box Capacity:	30kg

Product Specification

Fascia Material:	18mm MDF
Carcass Material:	18mm MDF/16mm MFC
Available accessories:	Please refer to the Pricelist for further details
Opening Mechanism:	Push to Open
Adjustable Legs:	N/A
Quantity of Shelves:	N/A
Shelving Type:	N/A
Handing:	N/A

*Product Weight includes packaging.

Features

- FSC Certified
- Soft Close
- Assembled
- Handleless
- Push to Open

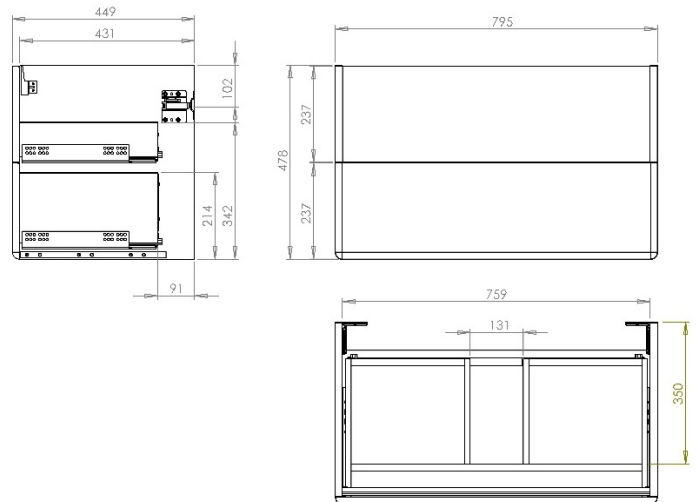
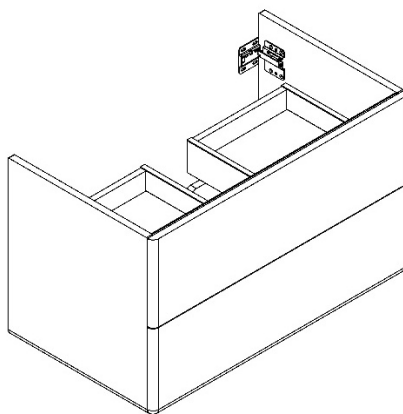
Additional Documentation

Additional Documentation available on our website www.utopiagroup.com

Every effort has been made to ensure that the information provided on this document is correct at the time of creation. Finally, Utopia Furniture Ltd reserve the right to alter materials and specifications in line with continuing programme of production and service development.

CHIC | 800 WM DBL DRAWER WBU FOR SIT ON BASIN - PULL

CHC019/***



For products purchased prior to 9th March 2026, we kindly ask that for any remedial enquiries that you contact Utopia Customer Services on 01902 406 402 or email customersupport@utopiagroup.com for additional support and guidance.
 All dimension in mm. Please check dimensions prior to installation as they can vary due to manufacturing tolerances.

Product Details

Type:	Double Drawer Washbasin Unit
Width:	795
Depth:	449
Height:	478
Product Weight*:	32.00kg
Tolerances:	+/- 2mm
Guarantee Period:	5 Years (For Domestic Use) 1 Years (For Commercial Use)
Drawer Box Capacity:	30kg

Product Specification

Fascia Material:	18mm MDF
Carcass Material:	18mm MDF/16mm MFC
Available accessories:	Please refer to the Pricelist for further details
Opening Mechanism:	Pull Handle
Adjustable Legs:	N/A
Quantity of Shelves:	N/A
Shelving Type:	N/A
Handing:	N/A

*Product Weight includes packaging.

Features

- FSC Certified
- Soft Close
- Assembled

Additional Documentation

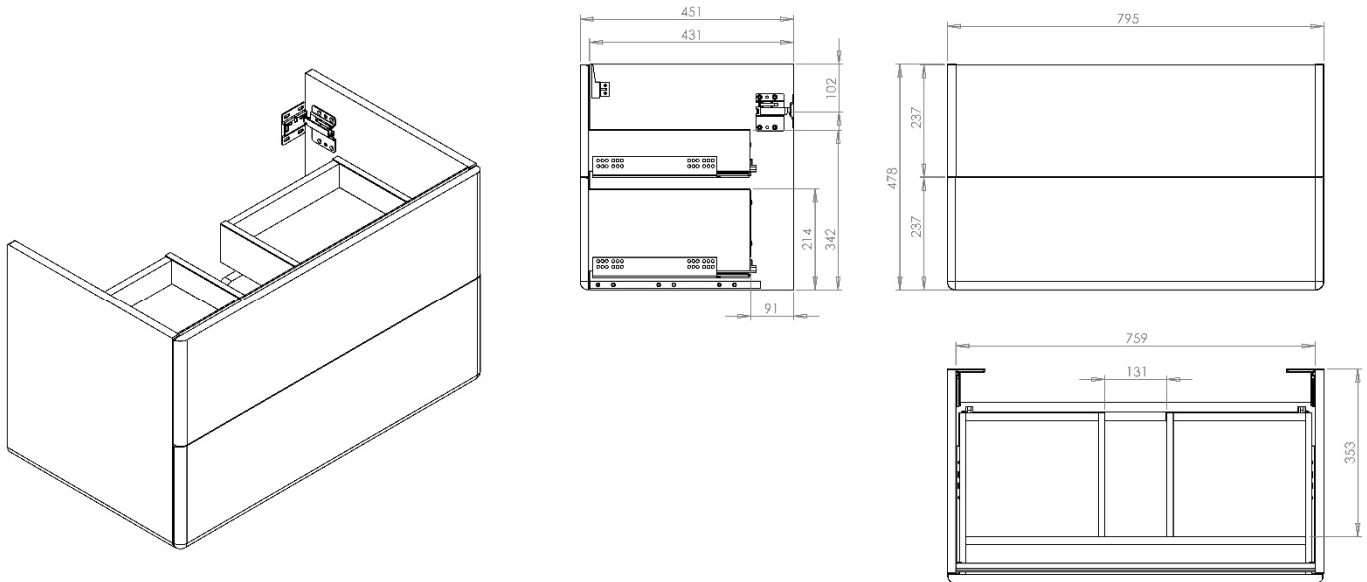
Additional Documentation available on our website www.utopiagroup.com

Every effort has been made to ensure that the information provided on this document is correct at the time of creation. Finally, Utopia Furniture Ltd reserve the right to alter materials and specifications in line with continuing programme of production and service development.

CHIC | 800 WM DBL DRAWER WBU FOR SIT ON BASIN – P2Open*

CHC020/***

*Push to Open



For products purchased prior to 9th March 2026, we kindly ask that for any remedial enquiries that you contact Utopia Customer Services on 01902 406 402 or email customersupport@utopiagroup.com for additional support and guidance.

All dimension in mm. Please check dimensions prior to installation as they can vary due to manufacturing tolerances.

Product Details

Product Specification

Type:	Double Drawer Washbasin Unit
Width:	795
Depth:	451
Height:	478
Product Weight*:	20.30kg
Tolerances:	+/- 2mm
Guarantee Period:	5 Years (For Domestic Use) 1 Years (For Commercial Use)
Drawer Box Capacity:	30kg

Fascia Material:	18mm MDF
Carcass Material:	18mm MDF/16mm MFC
Available accessories:	Please refer to the Pricelist for further details
Opening Mechanism:	Push to Open
Adjustable Legs:	N/A
Quantity of Shelves:	N/A
Shelving Type:	N/A
Handing:	N/A

*Product Weight includes packaging.

Features

- FSC Certified
- Soft Close
- Assembled
- Handleless
- Push to Open

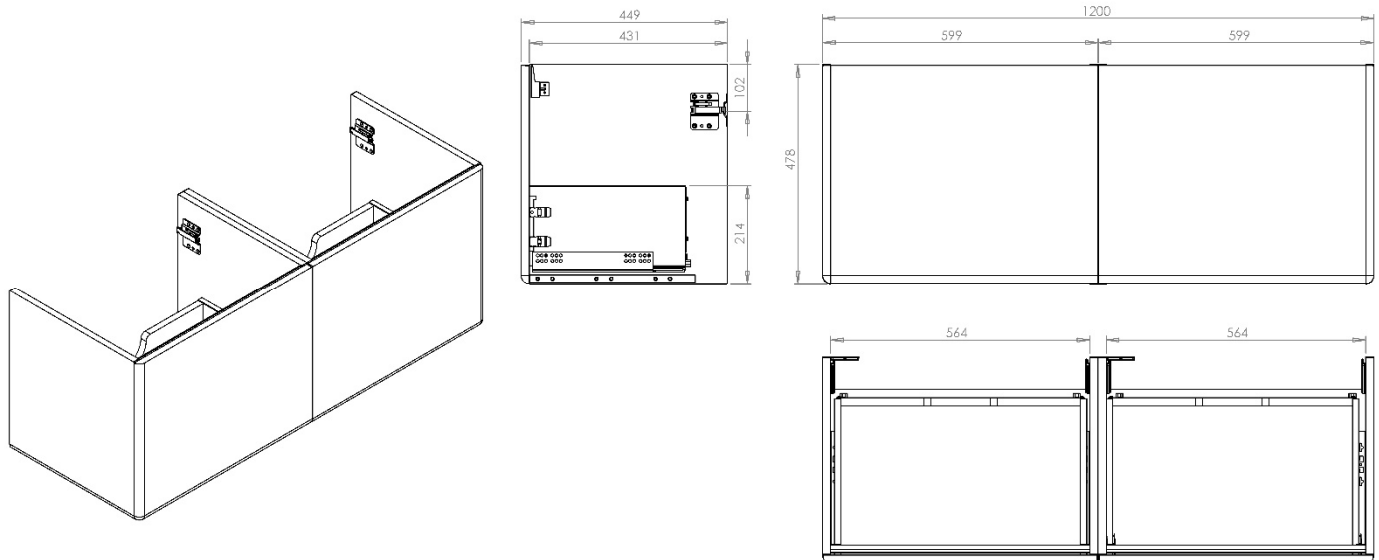
Additional Documentation

Additional Documentation available on our website www.utopiagroup.com

Every effort has been made to ensure that the information provided on this document is correct at the time of creation. Finally, Utopia Furniture Ltd reserve the right to alter materials and specifications in line with continuing programme of production and service development.

CHIC | 1200 WM TWIN SINGLE DRAWER WBU FOR SIT ON BASIN - PULL

CHC021/***



All dimension in mm. Please check dimensions prior to installation as they can vary due to manufacturing tolerances.

Product Details

Type:	Twin Single Drawer Washbasin Unit
Width:	1200
Depth:	449
Height:	478
Product Weight*:	43.3kg
Tolerances:	+/- 2mm
Guarantee Period:	5 Years (For Domestic Use) 1 Years (For Commercial Use)
Drawer Box Capacity:	30kg

Product Specification

Fascia Material:	18mm MDF
Carcass Material:	18mm MDF/16mm MFC
Available accessories:	Please refer to the Pricelist for further details
Opening Mechanism:	Pull Handle
Adjustable Legs:	N/A
Quantity of Shelves:	N/A
Shelving Type:	N/A
Handing:	N/A

*Product Weight includes packaging.

Features

- FSC Certified
- Soft Close
- Assembled

Additional Documentation

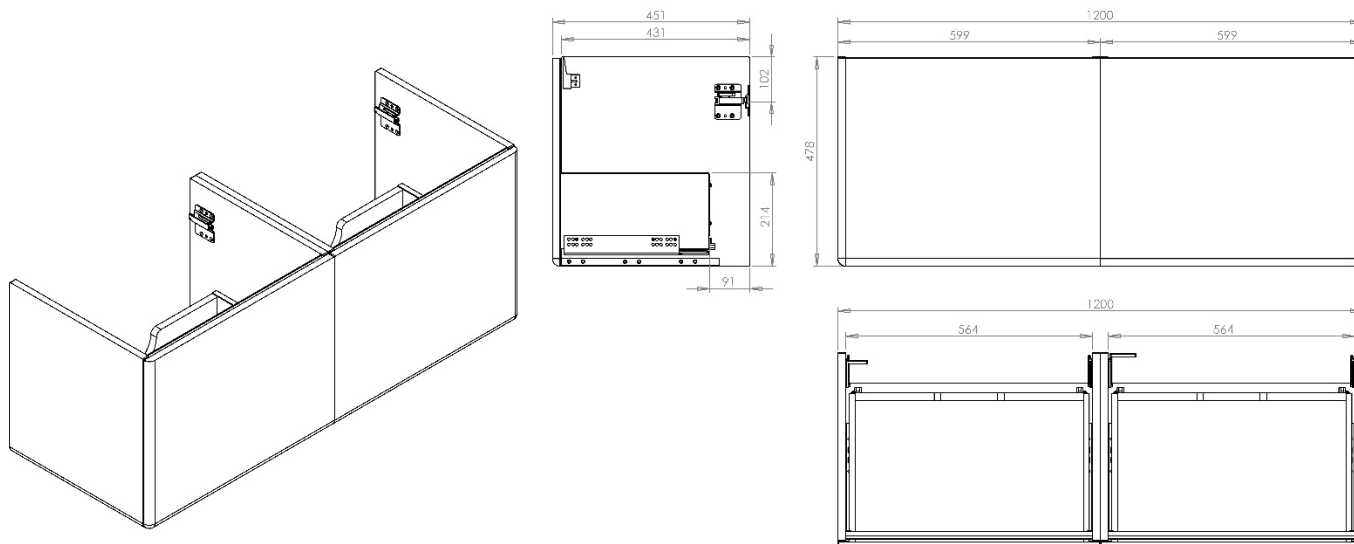
Additional Documentation available on our website www.utopiagroup.com

Every effort has been made to ensure that the information provided on this document is correct at the time of creation. Finally, Utopia Furniture Ltd reserve the right to alter materials and specifications in line with continuing programme of production and service development.

CHIC | 1200 WM TWIN SINGLE DRAWER WBU FOR SIT ON BASIN – P2Open*

CHC022/***

*Push to Open



All dimension in mm. Please check dimensions prior to installation as they can vary due to manufacturing tolerances.

Product Details

Type:	Twin Single Drawer Washbasin Unit
Width:	1200
Depth:	451
Height:	478
Product Weight*:	43.6kg
Tolerances:	+/- 2mm
Guarantee Period:	5 Years (For Domestic Use) 1 Years (For Commercial Use)
Drawer Box Capacity:	30kg

Product Specification

Fascia Material:	18mm MDF
Carcass Material:	18mm MDF/16mm MFC
Available accessories:	Please refer to the Pricelist for further details
Opening Mechanism:	Push to Open
Adjustable Legs:	N/A
Quantity of Shelves:	N/A
Shelving Type:	N/A
Handing:	N/A

*Product Weight includes packaging.

Features

- FSC Certified
- Soft Close
- Assembled
- Handleless
- Push to Open

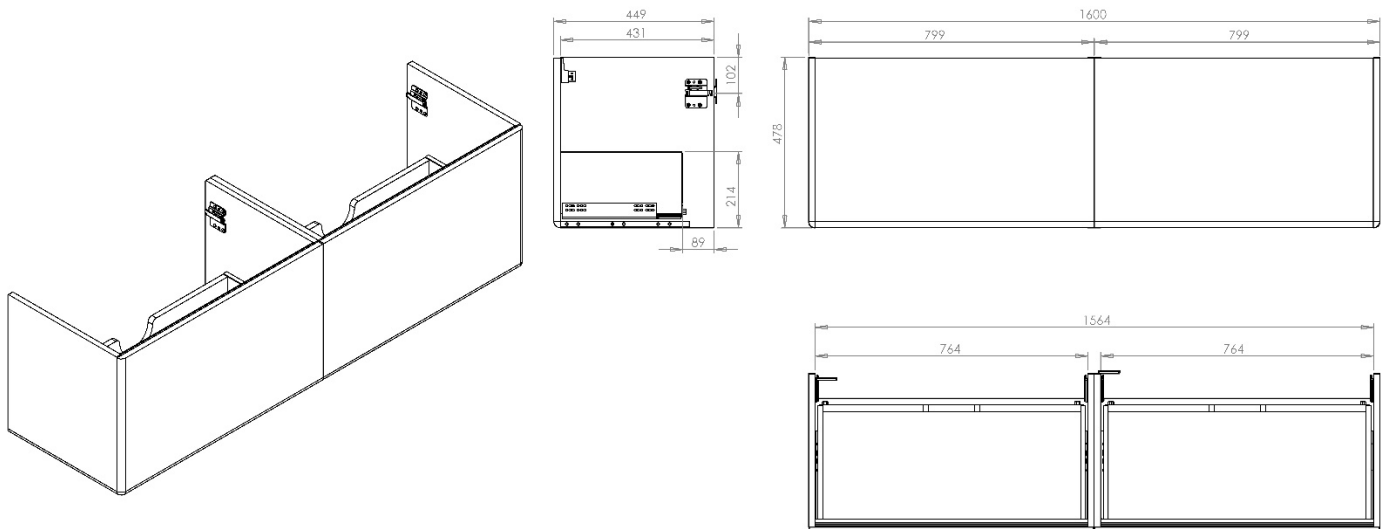
Additional Documentation

Additional Documentation available on our website www.utopiagroup.com

Every effort has been made to ensure that the information provided on this document is correct at the time of creation. Finally, Utopia Furniture Ltd reserve the right to alter materials and specifications in line with continuing programme of production and service development.

CHIC | 1600 WM TWIN SINGLE DRAWER WBU FOR SIT ON BASIN - PULL

CHC023/***



All dimension in mm. Please check dimensions prior to installation as they can vary due to manufacturing tolerances.

Product Details

Type:	Twin Single Drawer Washbasin Unit
Width:	1600
Depth:	449
Height:	478
Product Weight*:	50.80kg
Tolerances:	+/- 2mm
Guarantee Period:	5 Years (For Domestic Use) 1 Years (For Commercial Use)
Drawer Box Capacity:	30kg

Product Specification

Fascia Material:	18mm MDF
Carcass Material:	18mm MDF/16mm MFC
Available accessories:	Please refer to the Pricelist for further details
Opening Mechanism:	Pull Handle
Adjustable Legs:	N/A
Quantity of Shelves:	N/A
Shelving Type:	N/A
Handing:	N/A

*Product Weight includes packaging.

Features

- FSC Certified
- Soft Close
- Assembled

Additional Documentation

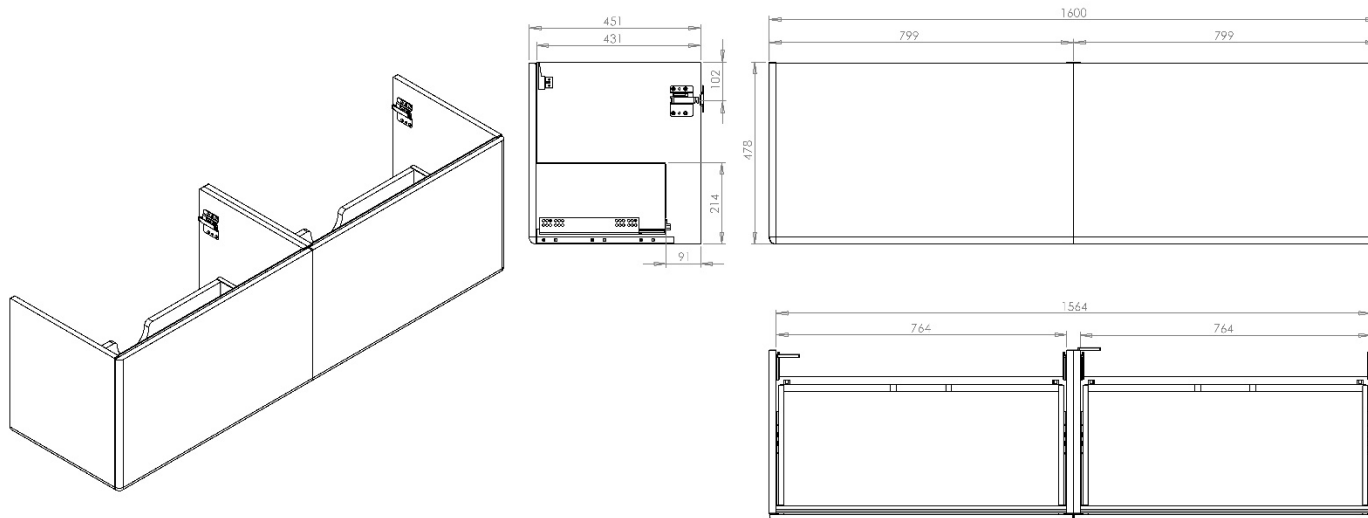
Additional Documentation available on our website www.utopiagroup.com

Every effort has been made to ensure that the information provided on this document is correct at the time of creation. Finally, Utopia Furniture Ltd reserve the right to alter materials and specifications in line with continuing programme of production and service development.

CHIC | 1600 WM TWIN SINGLE DRAWER WBU FOR SIT ON BASIN – P2Open*

CHC024/***

*Push to Open



All dimension in mm. Please check dimensions prior to installation as they can vary due to manufacturing tolerances.

Product Details

Product Specification

Type:	Twin Single Drawer Washbasin Unit
Width:	1600
Depth:	451
Height:	478
Product Weight*:	51.10kg
Tolerances:	+/- 2mm
Guarantee Period:	5 Years (For Domestic Use) 1 Years (For Commercial Use)
Drawer Box Capacity:	30kg

Fascia Material:	18mm MDF
Carcass Material:	18mm MDF/16mm MFC
Available accessories:	Please refer to the Pricelist for further details
Opening Mechanism:	Push to Open
Adjustable Legs:	N/A
Quantity of Shelves:	N/A
Shelving Type:	N/A
Handing:	N/A

*Product Weight includes packaging.

Features

- FSC Certified
- Soft Close
- Assembled
- Handleless
- Push to Open

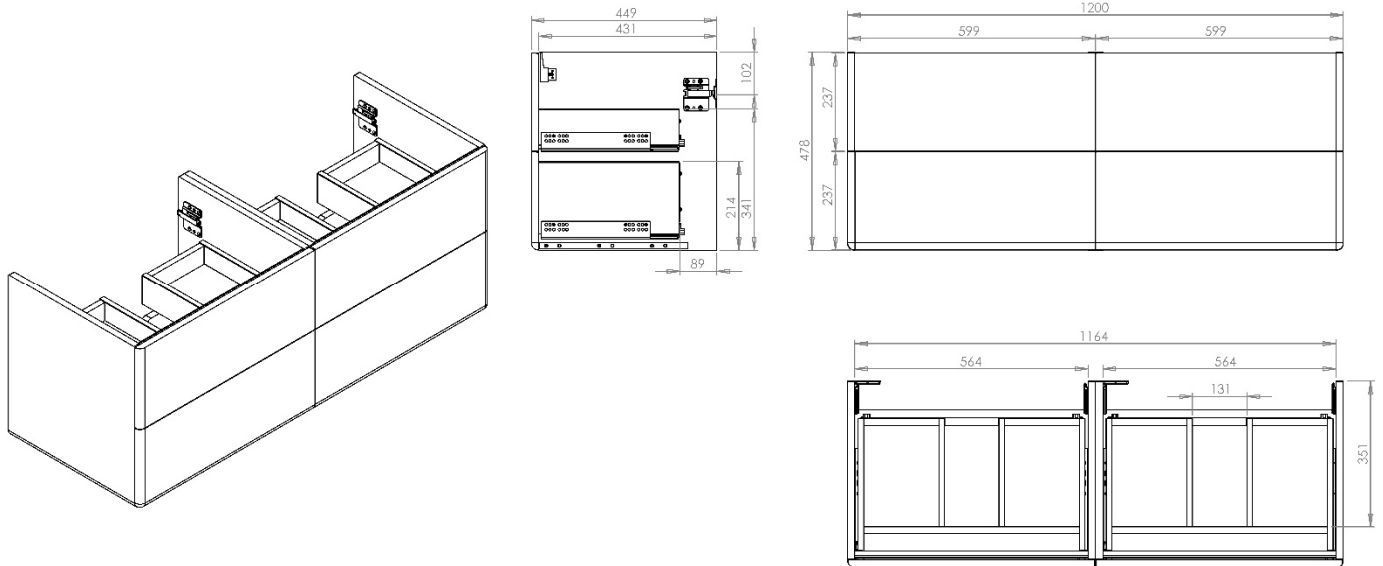
Additional Documentation

Additional Documentation available on our website www.utopiagroup.com

Every effort has been made to ensure that the information provided on this document is correct at the time of creation. Finally, Utopia Furniture Ltd reserve the right to alter materials and specifications in line with continuing programme of production and service development.

CHIC | 1200 WM DBL DRAWER WBU FOR SIT ON BASIN - PULL

CHC025/***



All dimension in mm. Please check dimensions prior to installation as they can vary due to manufacturing tolerances.

Product Details

Type:	Twin Double Drawer Washbasin Unit
Width:	1200
Depth:	449
Height:	478
Product Weight*:	54.2kg
Tolerances:	+/- 2mm
Guarantee Period:	5 Years (For Domestic Use) 1 Years (For Commercial Use)
Drawer Box Capacity:	30kg

Product Specification

Fascia Material:	18mm MDF
Carcass Material:	18mm MDF/16mm MFC
Available accessories:	Please refer to the Pricelist for further details
Opening Mechanism:	Pull Handle
Adjustable Legs:	N/A
Quantity of Shelves:	N/A
Shelving Type:	N/A
Handing:	N/A

*Product Weight includes packaging.

Features

- FSC Certified
- Soft Close
- Assembled

Additional Documentation

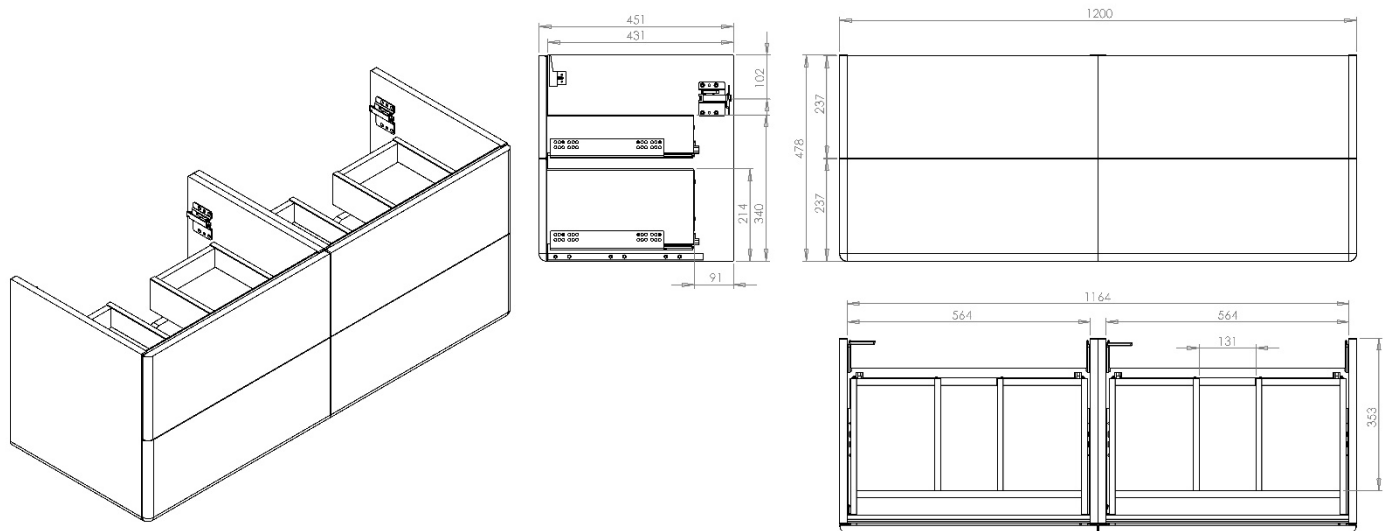
Additional Documentation available on our website www.utopiagroup.com

Every effort has been made to ensure that the information provided on this document is correct at the time of creation. Finally, Utopia Furniture Ltd reserve the right to alter materials and specifications in line with continuing programme of production and service development.

CHIC | 1200 WM TWIN DBL DRAWER WBU FOR SIT ON BASIN – P2Open*

CHC026/***

*Push to Open



All dimension in mm. Please check dimensions prior to installation as they can vary due to manufacturing tolerances.

Product Details

Type:	Twin Double Drawer Washbasin Unit
Width:	1200
Depth:	451
Height:	478
Product Weight*:	54.8kg
Tolerances:	+/- 2mm
Guarantee Period:	5 Years (For Domestic Use) 1 Years (For Commercial Use)
Drawer Box Capacity:	30kg

Product Specification

Fascia Material:	18mm MDF
Carcass Material:	18mm MDF/16mm MFC
Available accessories:	Please refer to the Pricelist for further details
Opening Mechanism:	Push to Open
Adjustable Legs:	N/A
Quantity of Shelves:	N/A
Shelving Type:	N/A
Handing:	N/A

*Product Weight includes packaging.

Features

- FSC Certified
- Soft Close
- Assembled
- Handleless
- Push to Open

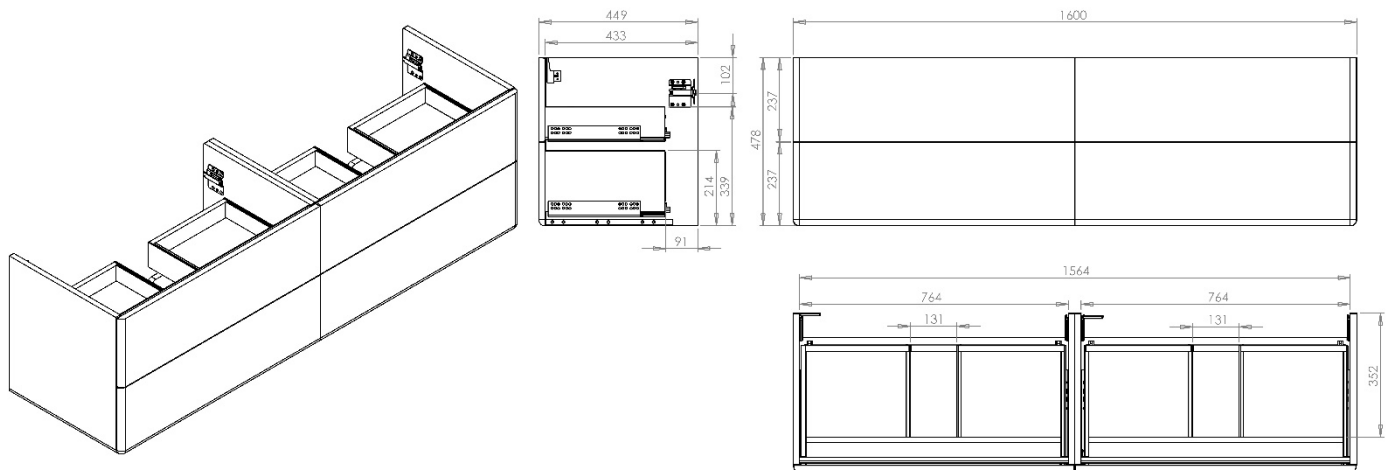
Additional Documentation

Additional Documentation available on our website www.utopiagroup.com

Every effort has been made to ensure that the information provided on this document is correct at the time of creation. Finally, Utopia Furniture Ltd reserve the right to alter materials and specifications in line with continuing programme of production and service development.

CHIC | 1600 WM TWIN DBL DRAWER WBU FOR SIT ON BASIN - PULL

CHC027/***



All dimension in mm. Please check dimensions prior to installation as they can vary due to manufacturing tolerances.

Product Details

Type:	Twin Double Drawer Washbasin Unit
Width:	1600
Depth:	449
Height:	478
Product Weight*:	63.70kg
Tolerances:	+/- 2mm
Guarantee Period:	5 Years (For Domestic Use) 1 Years (For Commercial Use)
Drawer Box Capacity:	30kg

Product Specification

Fascia Material:	18mm MDF
Carcass Material:	18mm MDF/16mm MFC
Available accessories:	Please refer to the Pricelist for further details
Opening Mechanism:	Pull Handle
Adjustable Legs:	N/A
Quantity of Shelves:	N/A
Shelving Type:	N/A
Handing:	N/A

*Product Weight includes packaging.

Features

- FSC Certified
- Soft Close
- Assembled

Additional Documentation

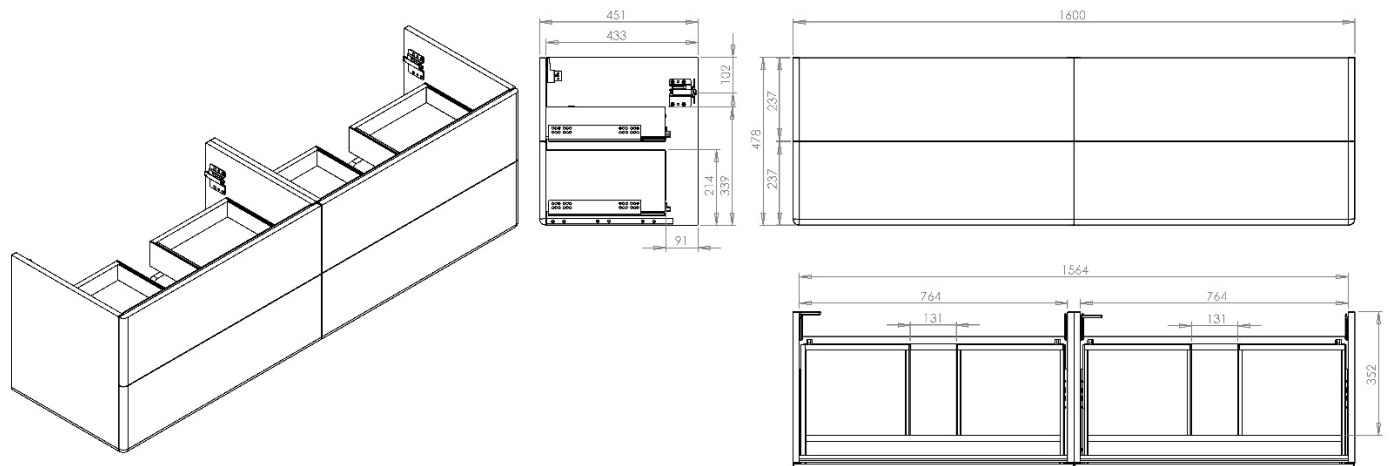
Additional Documentation available on our website www.utopiagroup.com

Every effort has been made to ensure that the information provided on this document is correct at the time of creation. Finally, Utopia Furniture Ltd reserve the right to alter materials and specifications in line with continuing programme of production and service development.

CHIC | 1600 WM TWIN DBL DRAWER WBU FOR SIT ON BASIN – P2Open*

CHC028/***

*Push to Open



All dimension in mm. Please check dimensions prior to installation as they can vary due to manufacturing tolerances.

Product Details

Product Specification

Type:	Twin Double Drawer Washbasin Unit
Width:	1600
Depth:	451
Height:	478
Product Weight*:	64.4kg
Tolerances:	+/- 2mm
Guarantee Period:	5 Years (For Domestic Use) 1 Years (For Commercial Use)
Drawer Box Capacity:	30kg

Fascia Material:	18mm MDF
Carcass Material:	18mm MDF/16mm MFC
Available accessories:	Please refer to the Pricelist for further details
Opening Mechanism:	Push to Open
Adjustable Legs:	N/A
Quantity of Shelves:	N/A
Shelving Type:	N/A
Handing:	N/A

*Product Weight includes packaging.

Features

- FSC Certified
- Soft Close
- Assembled
- Handleless
- Push to Open

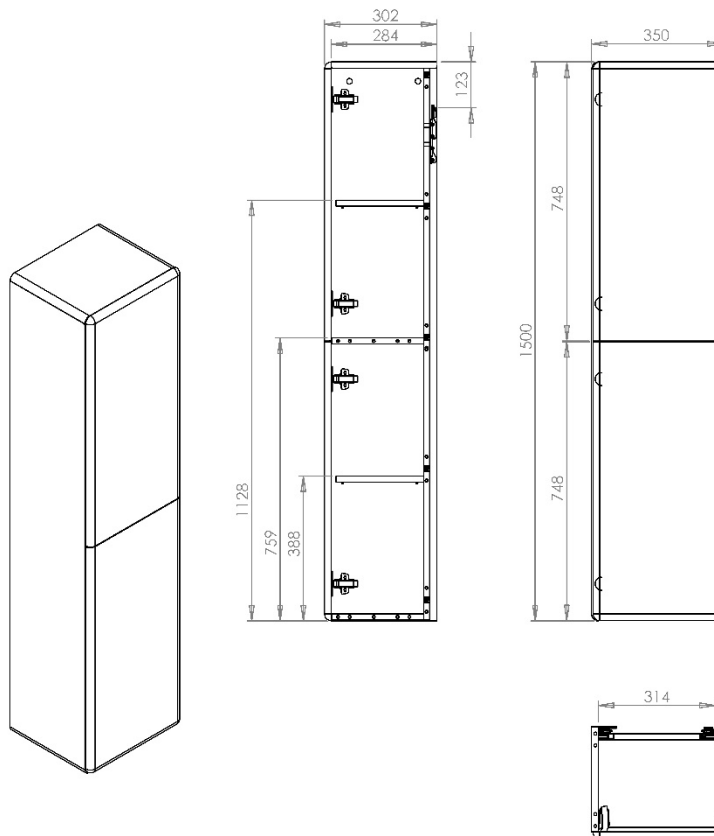
Additional Documentation

Additional Documentation available on our website www.utopiagroup.com

Every effort has been made to ensure that the information provided on this document is correct at the time of creation. Finally, Utopia Furniture Ltd reserve the right to alter materials and specifications in line with continuing programme of production and service development.

CHIC | TALL STORAGE UNIT - PULL

CHC029/*, CHC030/***,**



All dimension in mm. Please check dimensions prior to installation as they can vary due to manufacturing tolerances.

Product Details

Type:	Tall Storage Unit
Width:	350
Depth:	302
Height:	1500
Product Weight*:	35kg
Tolerances:	+/- 2mm
Guarantee Period:	5 Years (For Domestic Use) 1 Years (For Commercial Use)
Drawer Box Capacity:	N/A

Product Specification

Fascia Material:	18mm MDF
Carcass Material:	18mm MDF/16mm MFC
Available accessories:	Please refer to the Pricelist for further details
Opening Mechanism:	Pull Handle
Adjustable Legs:	N/A
Quantity of Shelves:	3 Plus Base
Shelving Type:	MFC
Handing:	Available Left or Right Hand

*Product Weight includes packaging.

Features

- FSC Certified
- Soft Close
- Assembled

Additional Documentation

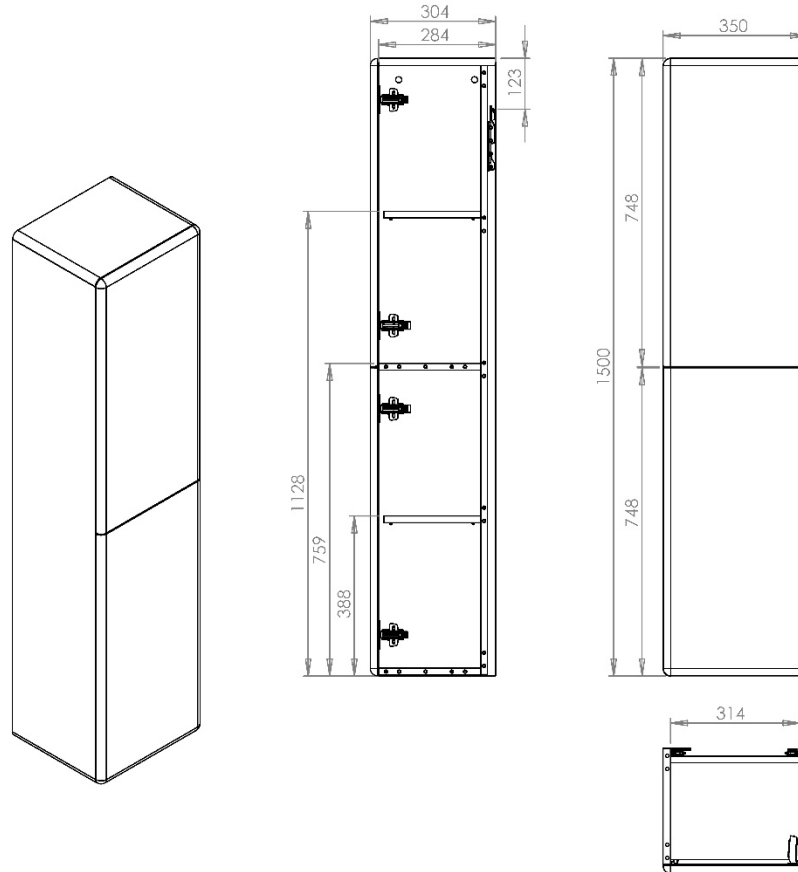
Additional Documentation available on our website www.utopiagroup.com

Every effort has been made to ensure that the information provided on this document is correct at the time of creation. Finally, Utopia Furniture Ltd reserve the right to alter materials and specifications in line with continuing programme of production and service development.

CHIC | TALL STORAGE UNIT - P2Open*

CHC031/***, CHC032/***,

*Push to Open



All dimension in mm. Please check dimensions prior to installation as they can vary due to manufacturing tolerances.

Product Details

Product Specification

Type:	Tall Storage Unit
Width:	350
Depth:	304
Height:	1500
Product Weight*:	35kg
Tolerances:	+/- 2mm
Guarantee Period:	5 Years (For Domestic Use) 1 Years (For Commercial Use)
Drawer Box Capacity:	N/A

Fascia Material:	18mm MDF
Carcass Material:	18mm MDF/16mm MFC
Available accessories:	Please refer to the Pricelist for further details
Opening Mechanism:	Push to Open
Adjustable Legs:	N/A
Quantity of Shelves:	3 Plus Base
Shelving Type:	MFC
Handing:	Available Left or Right Hand

*Product Weight includes packaging.

Features

- FSC Certified
- Soft Close
- Assembled
- Handleless
- Push to Open

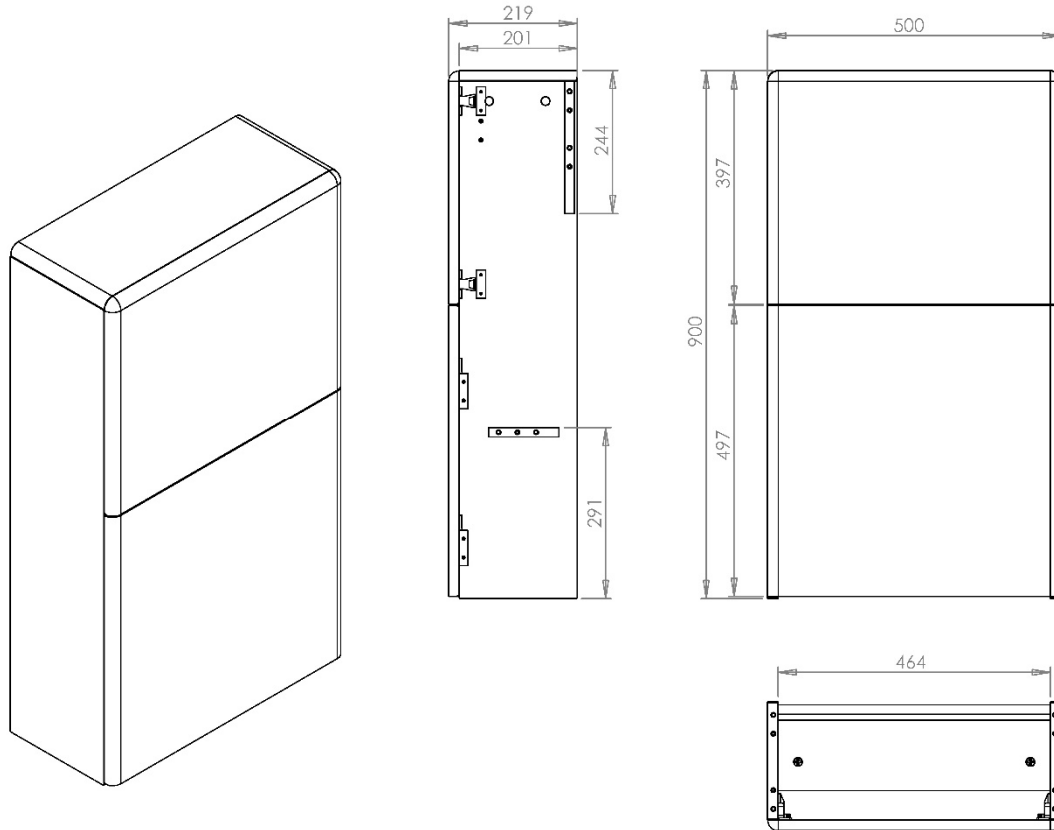
Additional Documentation

Additional Documentation available on our website www.utopiagroup.com

Every effort has been made to ensure that the information provided on this document is correct at the time of creation. Finally, Utopia Furniture Ltd reserve the right to alter materials and specifications in line with continuing programme of production and service development.

CHIC | TOILET UNIT 500

CHC033/***,



All dimension in mm. Please check dimensions prior to installation as they can vary due to manufacturing tolerances.

Product Details

Type:	Toilet Unit
Width:	500
Depth:	219
Height:	900
Product Weight*:	18.3kg
Tolerances:	+/- 2mm
Guarantee Period:	5 Years (For Domestic Use) 1 Years (For Commercial Use)
Drawer Box Capacity:	N/A

Product Specification

Fascia Material:	18mm MDF
Carcass Material:	18mm MDF/16mm MFC
Available accessories:	Please refer to the Pricelist for further details
Opening Mechanism:	N/A
Adjustable Legs:	N/A
Quantity of Shelves:	N/A
Shelving Type:	N/A
Handing:	N/A

*Product Weight includes packaging.

Features

- FSC Certified
- Assembled

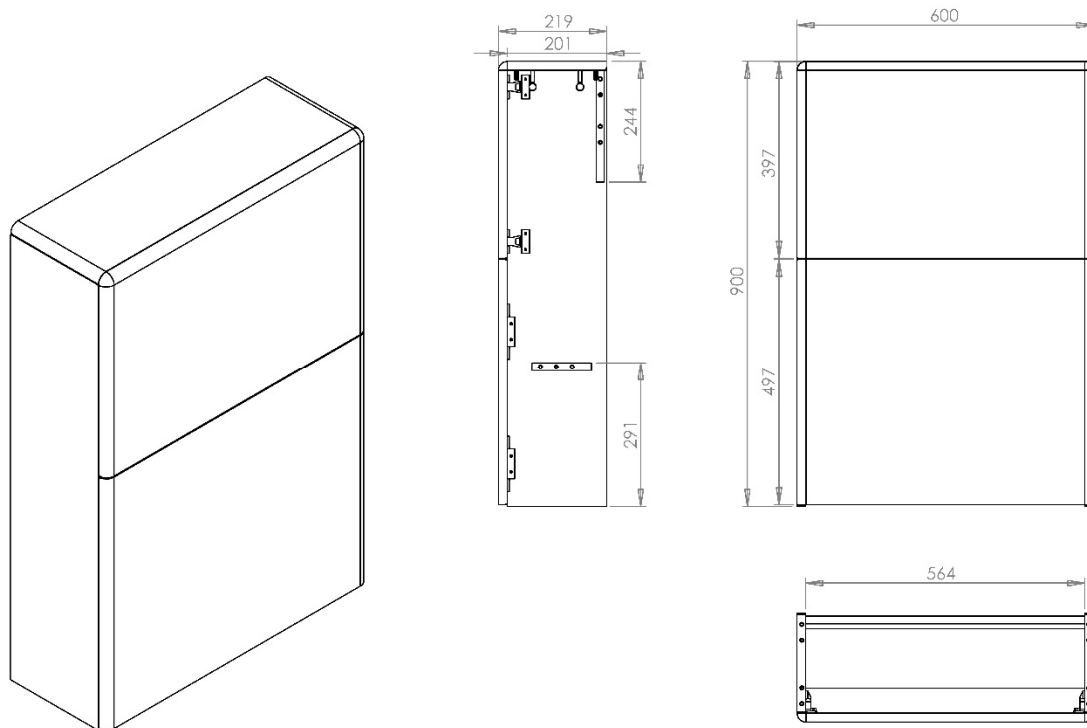
Additional Documentation

Additional Documentation available on our website www.utopiagroup.com

Every effort has been made to ensure that the information provided on this document is correct at the time of creation. Finally, Utopia Furniture Ltd reserve the right to alter materials and specifications in line with continuing programme of production and service development.

CHIC | TOILET UNIT 600

CHC034/***,



All dimension in mm. Please check dimensions prior to installation as they can vary due to manufacturing tolerances.

Product Details

Type:	Toilet Unit
Width:	600
Depth:	220
Height:	900
Product Weight*:	20.00kg
Tolerances:	+/- 2mm
Guarantee Period:	5 Years (For Domestic Use) 1 Years (For Commercial Use)
Drawer Box Capacity:	N/A

Product Specification

Fascia Material:	18mm MDF
Carcass Material:	18mm MDF/16mm MFC
Available accessories:	Please refer to the Pricelist for further details
Opening Mechanism:	N/A
Adjustable Legs:	N/A
Quantity of Shelves:	N/A
Shelving Type:	N/A
Handing:	N/A

*Product Weight includes packaging.

Features

- FSC Certified
- Assembled

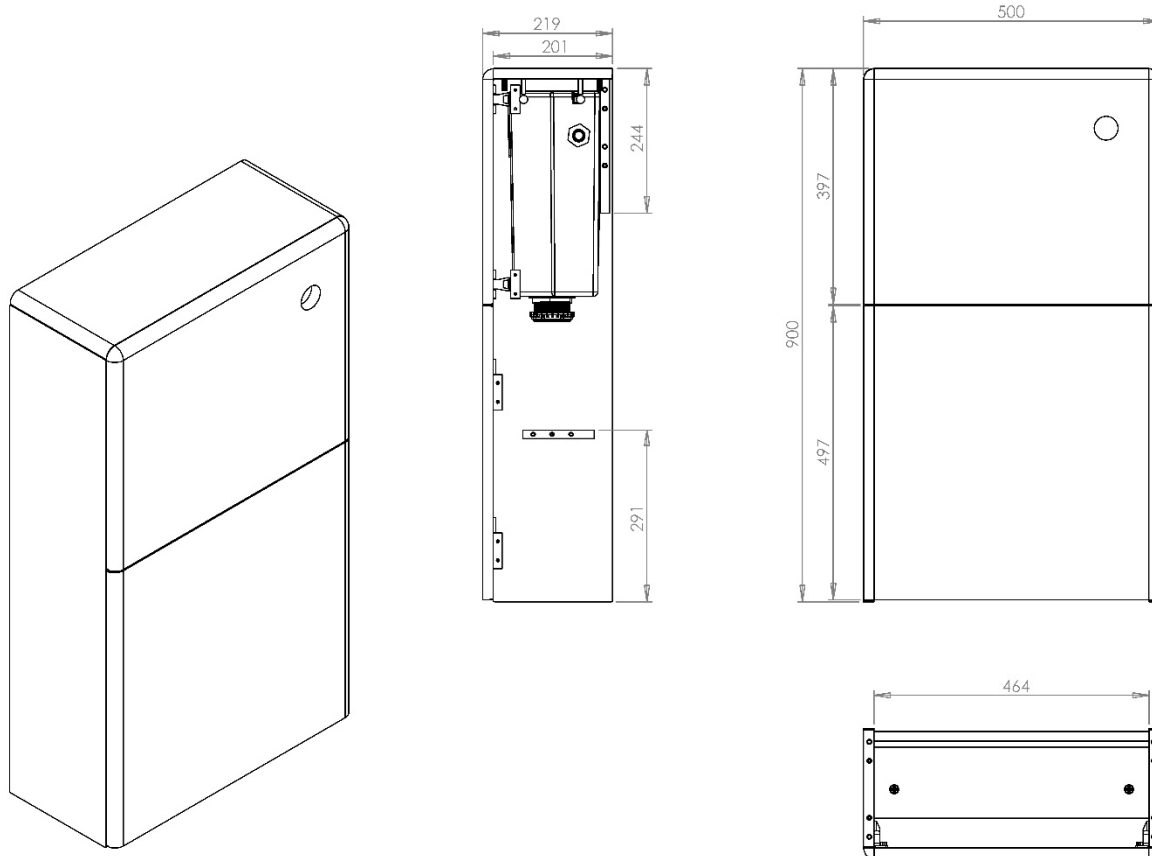
Additional Documentation

Additional Documentation available on our website www.utopiagroup.com

Every effort has been made to ensure that the information provided on this document is correct at the time of creation. Finally, Utopia Furniture Ltd reserve the right to alter materials and specifications in line with continuing programme of production and service development.

CHIC | TOILET UNIT 500 INC CONCEALED CISTERN

CHC035/***,



All dimension in mm. Please check dimensions prior to installation as they can vary due to manufacturing tolerances.

Product Details

Type:	Toilet Unit Inc Concealed Cistern
Width:	500
Depth:	219
Height:	900
Product Weight*:	20.00kg
Tolerances:	+/- 2mm
Guarantee Period:	5 Years (For Domestic Use) 1 Years (For Commercial Use)
Drawer Box Capacity:	N/A

Product Specification

Fascia Material:	18mm MDF
Carcass Material:	18mm MDF/16mm MFC
Available accessories:	Please refer to the Pricelist for further details
Opening Mechanism:	N/A
Adjustable Legs:	N/A
Quantity of Shelves:	N/A
Shelving Type:	N/A
Handing:	N/A

*Product Weight includes packaging.

Features

- FSC Certified
- Assembled
- Concealed Cistern Included

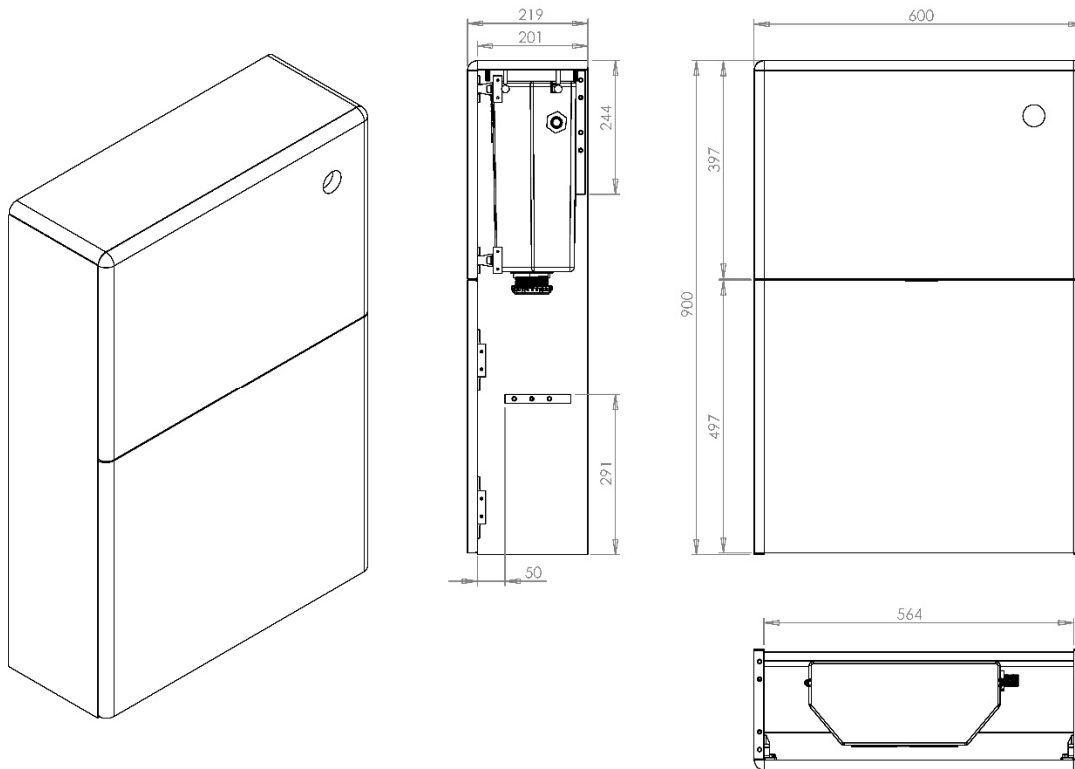
Additional Documentation

Additional Documentation available on our website www.utopiagroup.com

Every effort has been made to ensure that the information provided on this document is correct at the time of creation. Finally, Utopia Furniture Ltd reserve the right to alter materials and specifications in line with continuing programme of production and service development.

CHIC | TOILET UNIT 600 INC CONCEALED CISTERN

CHC036/*,**



All dimension in mm. Please check dimensions prior to installation as they can vary due to manufacturing tolerances.

Product Details

Type:	Toilet Unit Inc Concealed Cistern
Width:	600
Depth:	219
Height:	900
Product Weight*:	20.30kg
Tolerances:	+/- 2mm
Guarantee Period:	5 Years (For Domestic Use) 1 Years (For Commercial Use)
Drawer Box Capacity:	N/A

Product Specification

Fascia Material:	18mm MDF
Carcass Material:	18mm MDF/16mm MFC
Available accessories:	Please refer to the Pricelist for further details
Opening Mechanism:	N/A
Adjustable Legs:	N/A
Quantity of Shelves:	N/A
Shelving Type:	N/A
Handing:	N/A

*Product Weight includes packaging.

Features

- FSC Certified
- Assembled
- Concealed Cistern Included

Additional Documentation

Additional Documentation available on our website www.utopiagroup.com

Every effort has been made to ensure that the information provided on this document is correct at the time of creation. Finally, Utopia Furniture Ltd reserve the right to alter materials and specifications in line with continuing programme of production and service development.