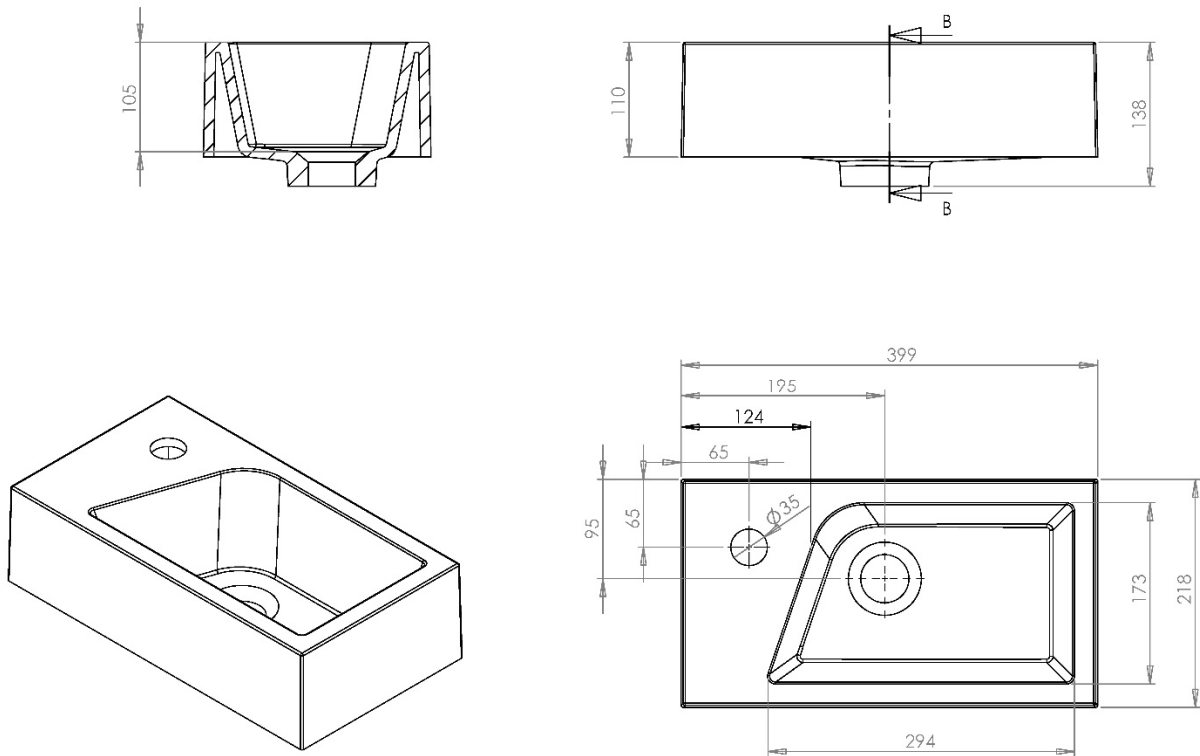


**QUBE | GELCAST BASIN T/S CLOAK
MINCLBAS**



All dimension in mm. Please check dimensions prior to installation as they can vary due to manufacturing tolerances.

Product Details

Type:	Slabtop Space Saving Basin
Width:	399
Depth:	218
Height:	110
Product Weight*:	7.00Kg
Tolerances:	Upto 2%
Guarantee Period:	Lifetime (For Domestic Use) 1 Years (For Commercial Use)

Product Specification

Material:	Gelcast
Integrated Overflow:	Yes
Type of Waste Required:	Slotted
Quantity of Tap Holes:	1
Tap Position:	Left
Standards:	BS EN 31 BS EN 14688

*Product Weight includes packaging.

Features

- Space Saving

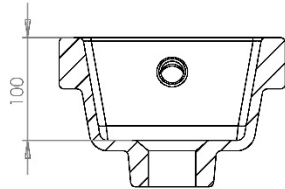
Additional Documentation

Additional Documentation available on our website www.utopiagroup.com

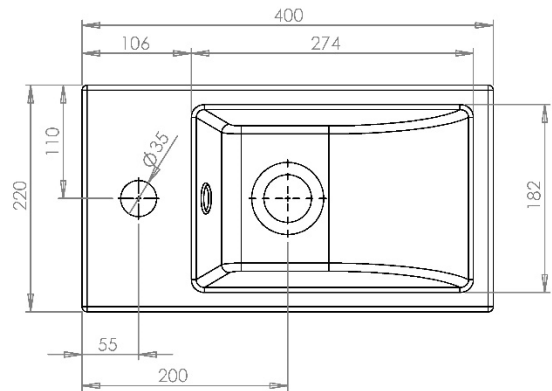
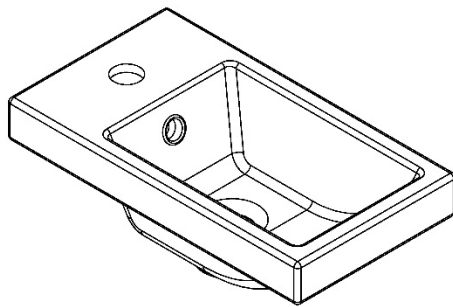
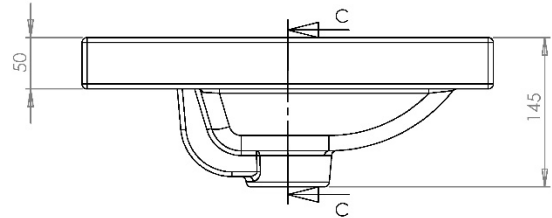
Every effort has been made to ensure that the information provided on this document is correct at the time of creation. Finally, Utopia Furniture Ltd reserve the right to alter materials and specifications in line with continuing programme of production and service development.

QUBE | 400MM CLOAK BASIN

OMD00001



SECTION C-C



All dimension in mm. Please check dimensions prior to installation as they can vary due to manufacturing tolerances.

Product Details

Product Specification

Type:	Slabtop Basin
Width:	400
Depth:	220
Height:	145
Product Weight*:	4.95Kg
Tolerances:	Upto 2%
Guarantee Period:	Lifetime (For Domestic Use) 1 Years (For Commercial Use)

Material:	Ceramic
Integrated Overflow:	Yes
Type of Waste Required:	Slotted
Quantity of Tap Holes:	1
Tap Position:	Left
Standards:	BS EN 31 BS EN 14688

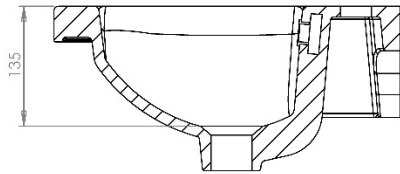
*Product Weight includes packaging.

Additional Documentation

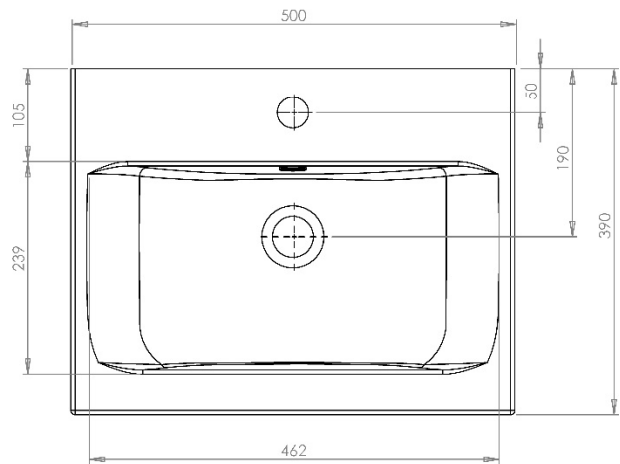
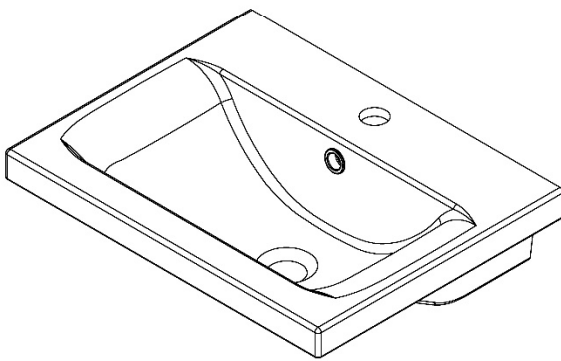
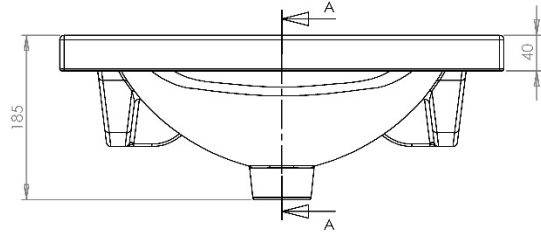
Additional Documentation available on our website www.utopiagroup.com

Every effort has been made to ensure that the information provided on this document is correct at the time of creation. Finally, Utopia Furniture Ltd reserve the right to alter materials and specifications in line with continuing programme of production and service development.

QUBE | MODULAR SLIMLINE CERAMIC BASIN 500 REDUCED
CERMODSL50R



SECTION A-A



All dimension in mm. Please check dimensions prior to installation as they can vary due to manufacturing tolerances.

Product Details

Product Specification

Type:	Slabtop Basin
Width:	500
Depth:	390
Height:	185
Product Weight*:	11.00Kg
Tolerances:	Upto 2%
Guarantee Period:	Lifetime (For Domestic Use) 1 Years (For Commercial Use)

Material:	Ceramic
Integrated Overflow:	Yes
Type of Waste Required:	Slotted
Quantity of Tap Holes:	1
Tap Position:	Centre
Standards:	BS EN 31 BS EN 14688

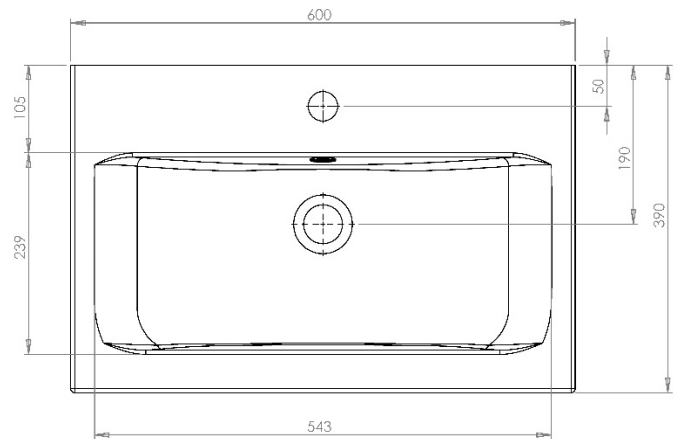
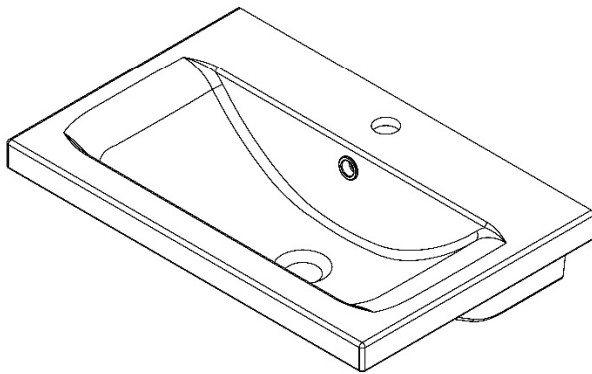
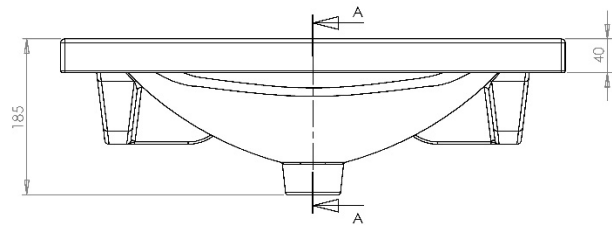
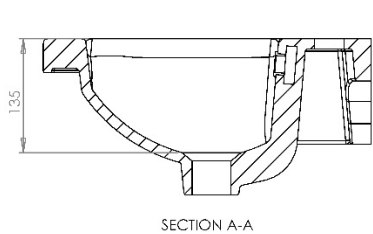
*Product Weight includes packaging.

Additional Documentation

Additional Documentation available on our website www.utopiagroup.com

Every effort has been made to ensure that the information provided on this document is correct at the time of creation. Finally, Utopia Furniture Ltd reserve the right to alter materials and specifications in line with continuing programme of production and service development.

QUBE | MODULAR SLIMLINE CERAMIC BASIN 600 REDUCED
CERMODSL60R



All dimension in mm. Please check dimensions prior to installation as they can vary due to manufacturing tolerances.

Product Details

Product Specification

Type:	Slabtop Basin
Width:	600
Depth:	390
Height:	185
Product Weight*:	13.55Kg
Tolerances:	Upto 2%
Guarantee Period:	Lifetime (For Domestic Use) 1 Years (For Commercial Use)

Material:	Ceramic
Integrated Overflow:	Yes
Type of Waste Required:	Slotted
Quantity of Tap Holes:	1
Tap Position:	Centre
Standards:	BS EN 31 BS EN 14688

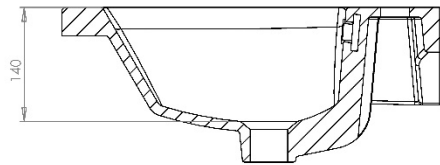
*Product Weight includes packaging.

Additional Documentation

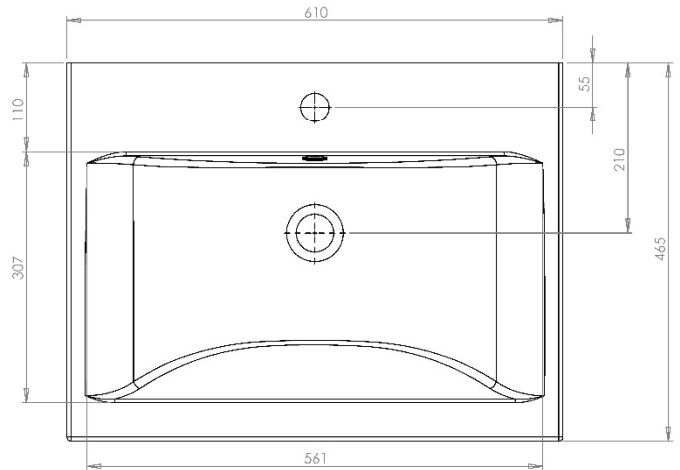
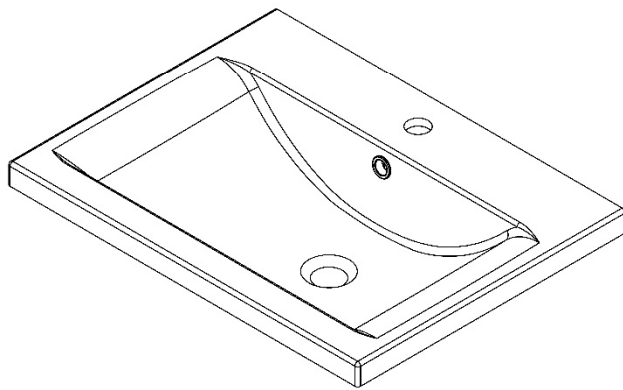
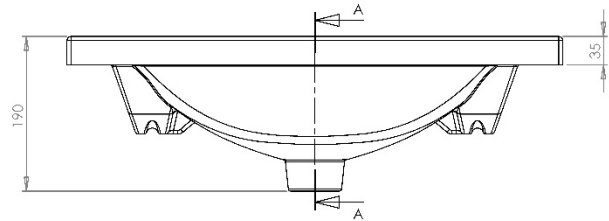
Additional Documentation available on our website www.utopiagroup.com

Every effort has been made to ensure that the information provided on this document is correct at the time of creation. Finally, Utopia Furniture Ltd reserve the right to alter materials and specifications in line with continuing programme of production and service development.

QUBE | MODULAR SLIMLINE CERAMIC BASIN 600 STANDARD
CERMODSL60



SECTION A-A



All dimension in mm. Please check dimensions prior to installation as they can vary due to manufacturing tolerances.

Product Details

Type:	Slabtop Basin
Width:	610
Depth:	465
Height:	190
Product Weight*:	15.00Kg
Tolerances:	Upto 2%
Guarantee Period:	Lifetime (For Domestic Use) 1 Years (For Commercial Use)

Product Specification

Material:	Ceramic
Integrated Overflow:	Yes
Type of Waste Required:	Slotted
Quantity of Tap Holes:	1
Tap Position:	Centre
Standards:	BS EN 31 BS EN 14688

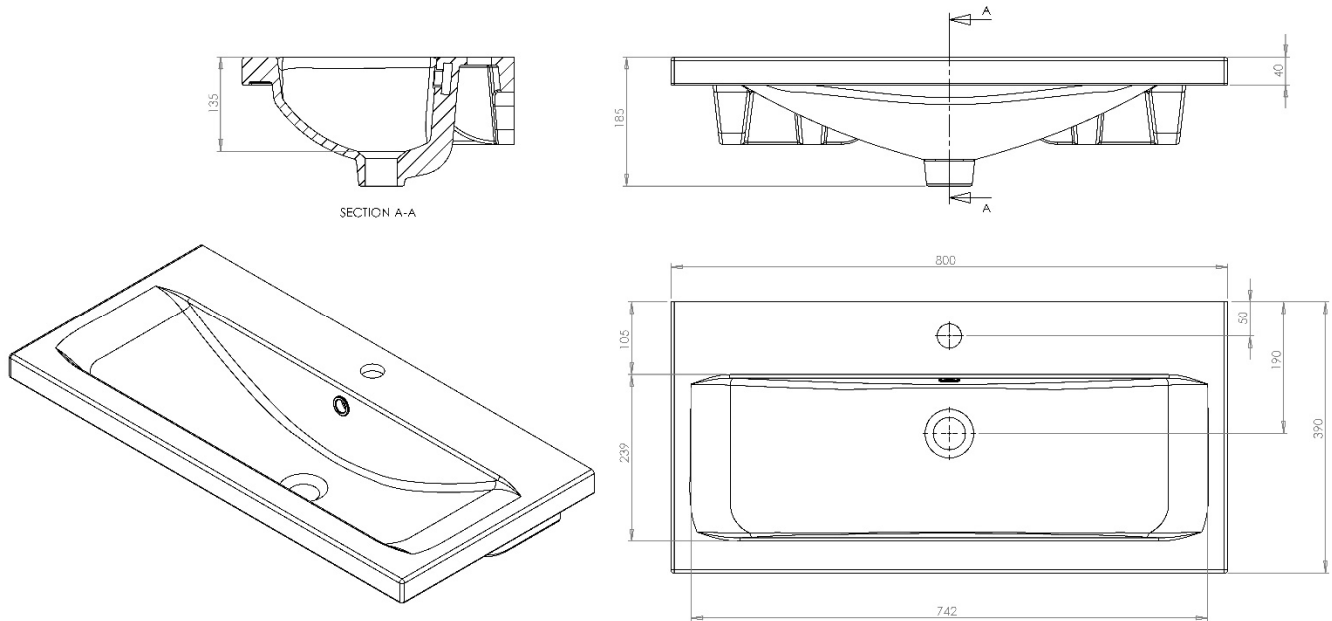
*Product Weight includes packaging.

Additional Documentation

Additional Documentation available on our website www.utopiagroup.com

Every effort has been made to ensure that the information provided on this document is correct at the time of creation. Finally, Utopia Furniture Ltd reserve the right to alter materials and specifications in line with continuing programme of production and service development.

QUBE | MODULAR SLIMLINE CERAMIC BASIN 800 REDUCED
CERMODSL80R



All dimension in mm. Please check dimensions prior to installation as they can vary due to manufacturing tolerances.

Product Details

Type:	Slabtop Basin
Width:	800
Depth:	390
Height:	40
Product Weight*:	19.33Kg
Tolerances:	Upto 2%
Guarantee Period:	Lifetime (For Domestic Use) 1 Years (For Commercial Use)

Product Specification

Material:	Ceramic
Integrated Overflow:	Yes
Type of Waste Required:	Slotted
Quantity of Tap Holes:	1
Tap Position:	Centre
Standards:	BS EN 31 BS EN 14688

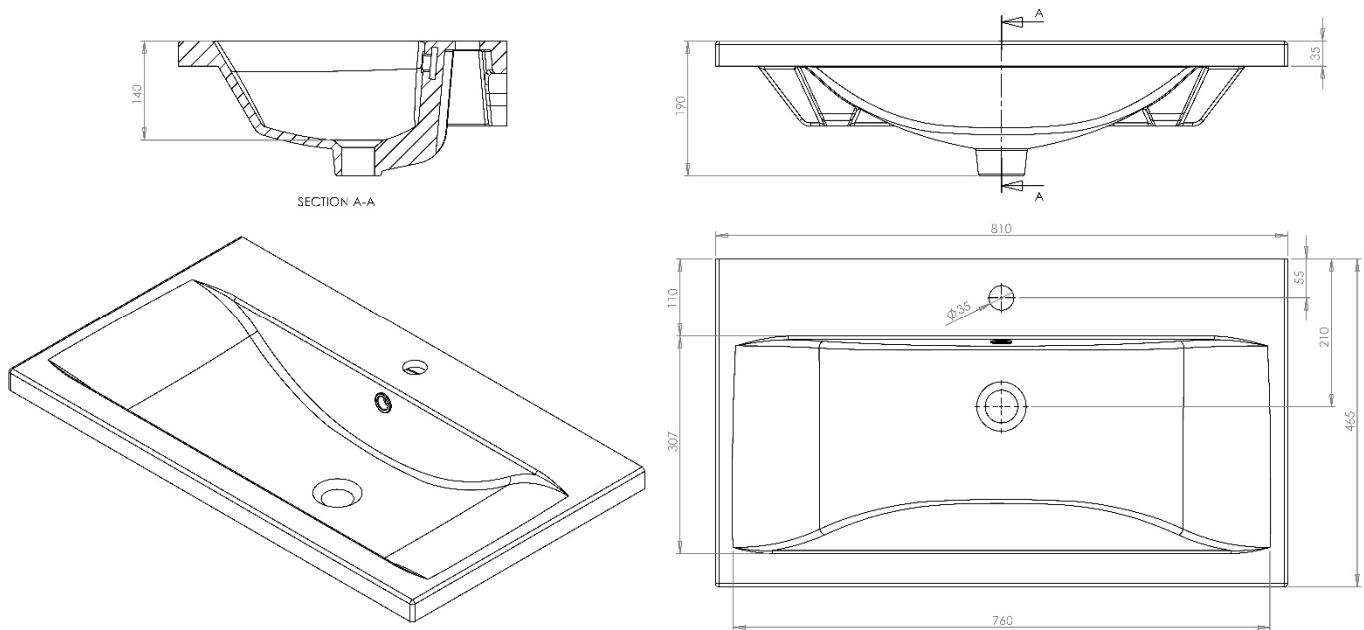
*Product Weight includes packaging.

Additional Documentation

Additional Documentation available on our website www.utopiagroup.com

Every effort has been made to ensure that the information provided on this document is correct at the time of creation. Finally, Utopia Furniture Ltd reserve the right to alter materials and specifications in line with continuing programme of production and service development.

QUBE | MODULAR SLIMLINE CERAMIC BASIN 800 STANDARD
CERMODSL80



All dimension in mm. Please check dimensions prior to installation as they can vary due to manufacturing tolerances.

Product Details

Type:	Slabtop Basin
Width:	810
Depth:	465
Height:	190
Product Weight*:	21.00Kg
Tolerances:	Upto 2%
Guarantee Period:	Lifetime (For Domestic Use) 1 Years (For Commercial Use)

Product Specification

Material:	Ceramic
Integrated Overflow:	Yes
Type of Waste Required:	Slotted
Quantity of Tap Holes:	1
Tap Position:	Centre
Standards:	BS EN 31 BS EN 14688

*Product Weight includes packaging.

Additional Documentation

Additional Documentation available on our website www.utopiagroup.com

Every effort has been made to ensure that the information provided on this document is correct at the time of creation. Finally, Utopia Furniture Ltd reserve the right to alter materials and specifications in line with continuing programme of production and service development.