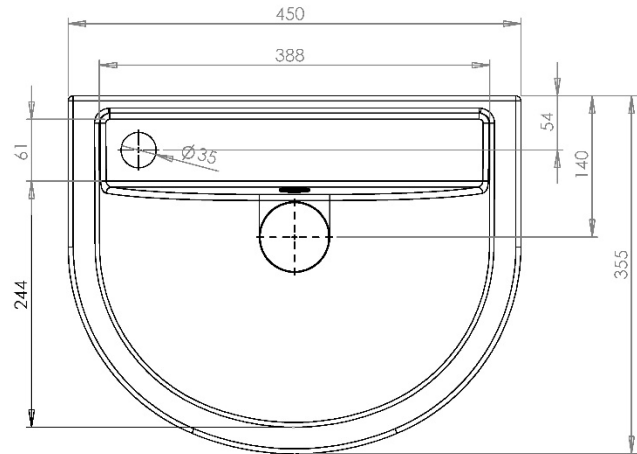
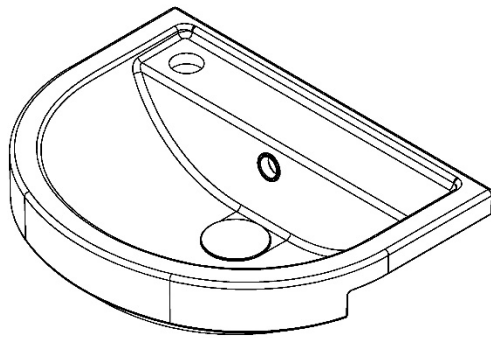
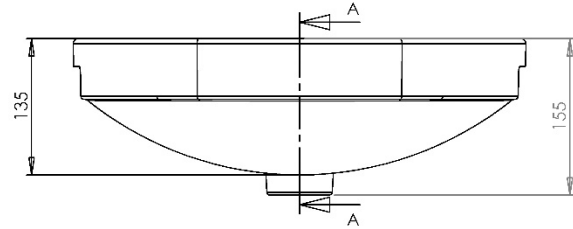
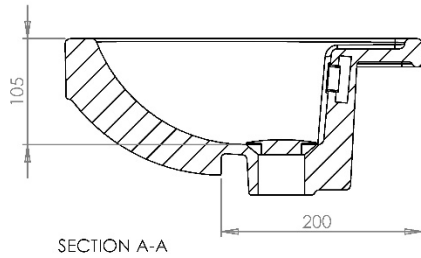


**QUANTUM ROUND | QUANTUM ROUND CLOAKROOM SEMI-RECESSED WASHBASIN 1TH
QRBASRCL45WITH**



All dimension in mm. Please check dimensions prior to installation as they can vary due to manufacturing tolerances.

Product Details

Type:	Semi-Recessed Space Saving Basin
Width:	450
Depth:	355
Height:	135
Product Weight*:	7.25Kg
Tolerances:	Upto 2%
Guarantee Period:	Lifetime (For Domestic Use) 1 Years (For Commercial Use)

Product Specification

Material:	Ceramic
Integrated Overflow:	Yes
Type of Waste Required:	Slotted
Quantity of Tap Holes:	1
Tap Position:	Left
Standards:	BS EN 31 BS EN 14688

*Product Weight includes packaging.

Features

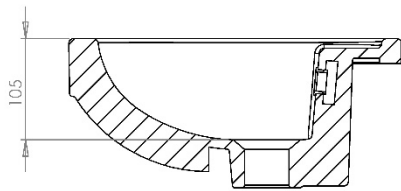
- Space Saving

Additional Documentation

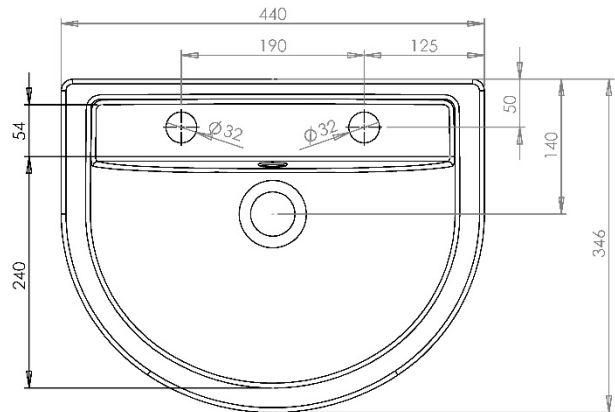
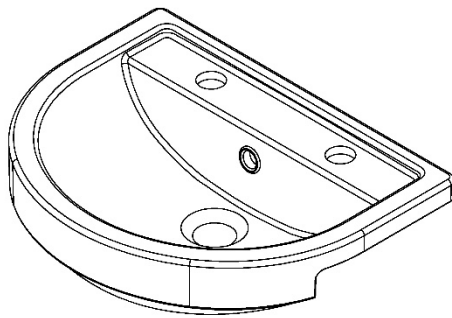
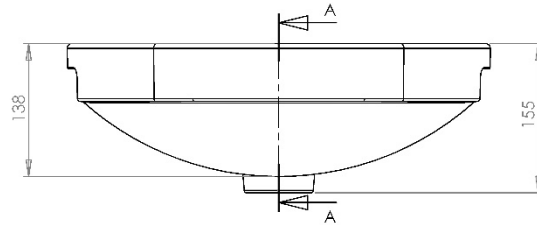
Additional Documentation available on our website www.utopiagroup.com

Every effort has been made to ensure that the information provided on this document is correct at the time of creation. Finally, Utopia Furniture Ltd reserve the right to alter materials and specifications in line with continuing programme of production and service development.

QUANTUM ROUND | QUANTUM ROUND CLOAKROOM SEMI-RECESSED WASHBASIN 2TH
QRBASRCL45W2TH



SECTION A-A



All dimension in mm. Please check dimensions prior to installation as they can vary due to manufacturing tolerances.

Product Details

Type:	Semi-Recessed Space Saving Basin
Width:	440
Depth:	346
Height:	138
Product Weight*:	7.25Kg
Tolerances:	Upto 2%
Guarantee Period:	Lifetime (For Domestic Use) 1 Years (For Commercial Use)

Product Specification

Material:	Ceramic
Integrated Overflow:	Yes
Type of Waste Required:	Slotted
Quantity of Tap Holes:	2
Tap Position:	See Drawing
Standards:	BS EN 31 BS EN 14688

*Product Weight includes packaging.

Features

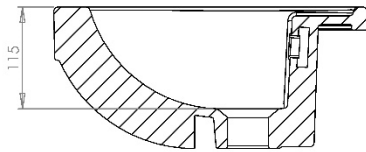
- Space Saving

Additional Documentation

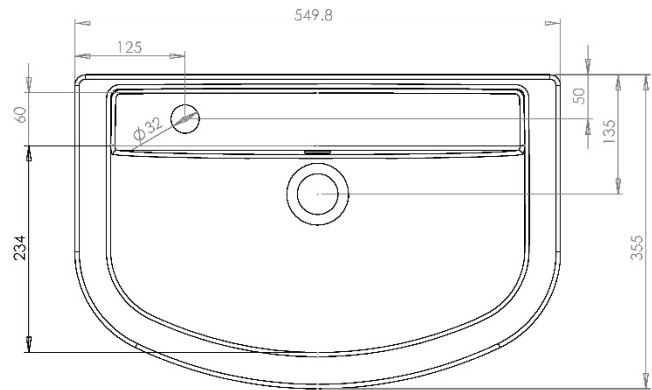
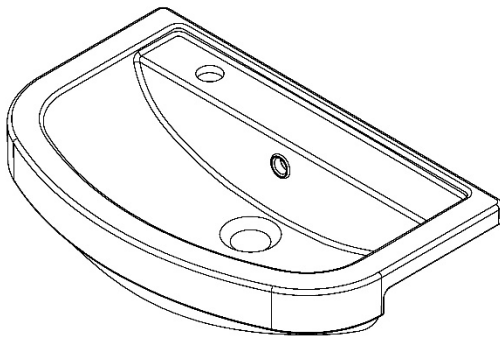
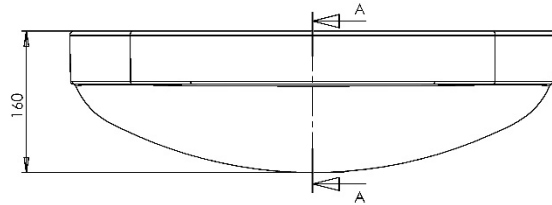
Additional Documentation available on our website www.utopiagroup.com

Every effort has been made to ensure that the information provided on this document is correct at the time of creation. Finally, Utopia Furniture Ltd reserve the right to alter materials and specifications in line with continuing programme of production and service development.

**QUANTUM ROUND | QUANTUM ROUND SHORT PROJECTION SEMI-RECESSED WASHBASIN 1TH
QRBASRSP55W1TH**



SECTION A-A



All dimension in mm. Please check dimensions prior to installation as they can vary due to manufacturing tolerances.

Product Details

Type:	Semi-Recessed Space Saving Basin
Width:	550
Depth:	355
Height:	160
Product Weight*:	9.65Kg
Tolerances:	Upto 2%
Guarantee Period:	Lifetime (For Domestic Use) 1 Years (For Commercial Use)

Product Specification

Material:	Ceramic
Integrated Overflow:	Yes
Type of Waste Required:	Slotted
Quantity of Tap Holes:	1
Tap Position:	Left
Standards:	BS EN 31 BS EN 14688

*Product Weight includes packaging.

Features

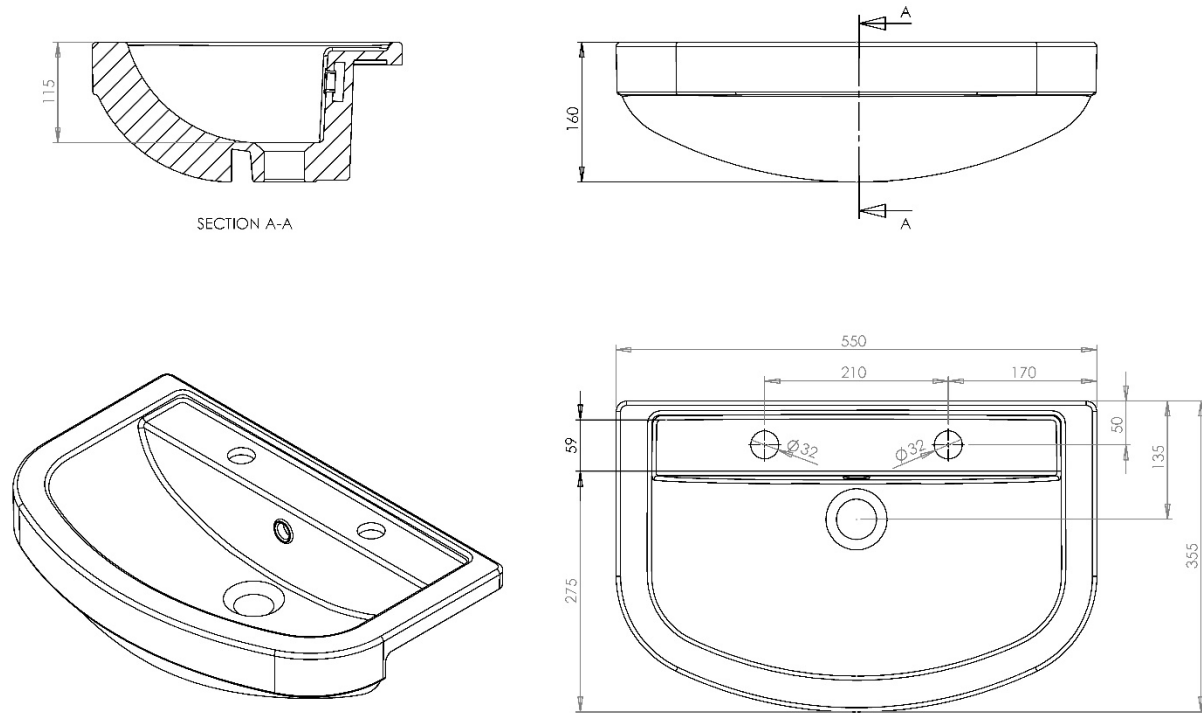
- Space Saving

Additional Documentation

Additional Documentation available on our website www.utopiagroup.com

Every effort has been made to ensure that the information provided on this document is correct at the time of creation. Finally, Utopia Furniture Ltd reserve the right to alter materials and specifications in line with continuing programme of production and service development.

**QUANTUM ROUND | QUANTUM ROUND SHORT PROJECTION SEMI-RECESSED WASHBASIN 2TH
QRBASRSP55W2TH**



All dimension in mm. Please check dimensions prior to installation as they can vary due to manufacturing tolerances.

Product Details

Type:	Semi-Recessed Space Saving Basin
Width:	550
Depth:	355
Height:	160
Product Weight*:	9.65Kg
Tolerances:	Upto 2%
Guarantee Period:	Lifetime (For Domestic Use) 1 Years (For Commercial Use)

Product Specification

Material:	Ceramic
Integrated Overflow:	Yes
Type of Waste Required:	Slotted
Quantity of Tap Holes:	2
Tap Position:	See Drawing
Standards:	BS EN 31 BS EN 14688

*Product Weight includes packaging.

Features

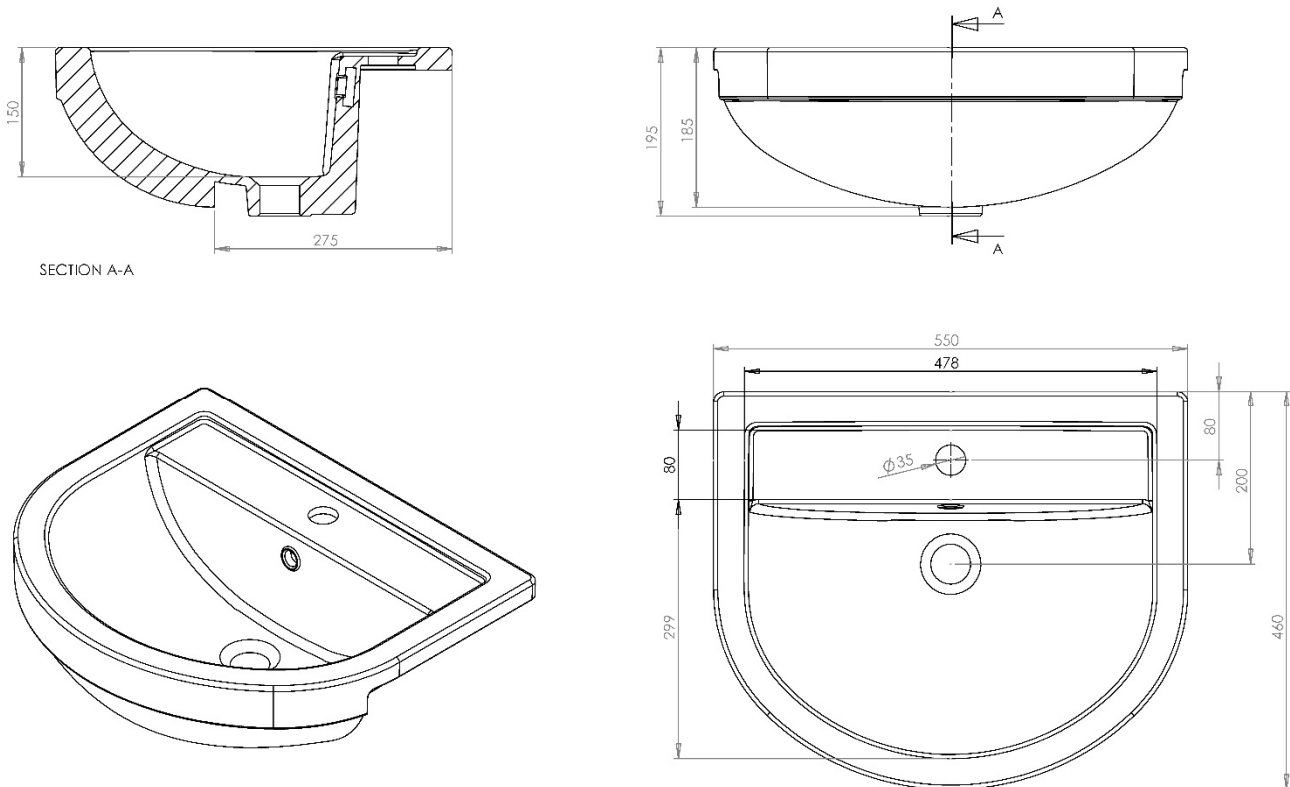
- Space Saving

Additional Documentation

Additional Documentation available on our website www.utopiagroup.com

Every effort has been made to ensure that the information provided on this document is correct at the time of creation. Finally, Utopia Furniture Ltd reserve the right to alter materials and specifications in line with continuing programme of production and service development.

QUANTUM ROUND | QUANTUM ROUND SEMI-RECESSED STANDARD WASHBASIN 1TH
QRBASR55W1TH



All dimension in mm. Please check dimensions prior to installation as they can vary due to manufacturing tolerances.

Product Details

Type:	Semi-Recessed Basin
Width:	560
Depth:	460
Height:	195
Product Weight*:	13.65Kg
Tolerances:	Upto 2%
Guarantee Period:	Lifetime (For Domestic Use) 1 Years (For Commercial Use)

Product Specification

Material:	Ceramic
Integrated Overflow:	Yes
Type of Waste Required:	Slotted
Quantity of Tap Holes:	1
Tap Position:	Centre
Standards:	BS EN 31 BS EN 14688

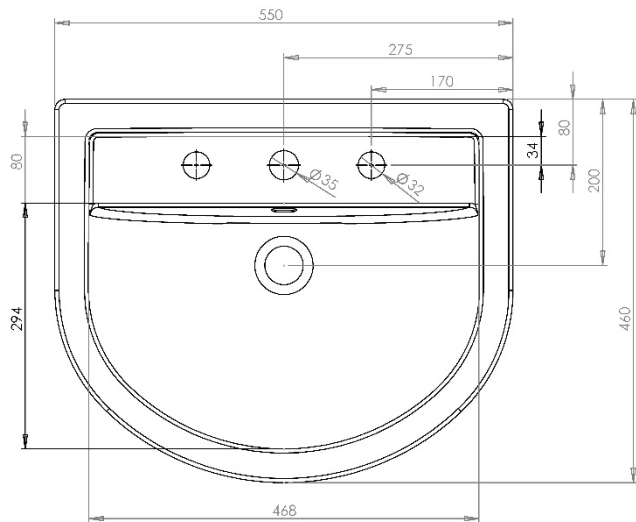
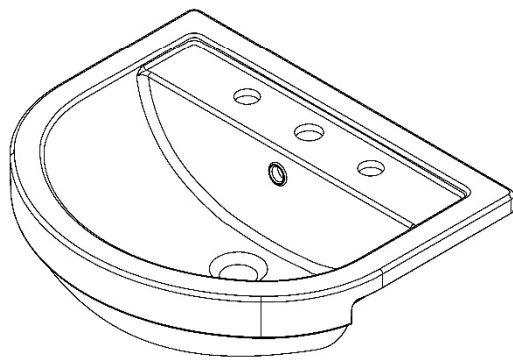
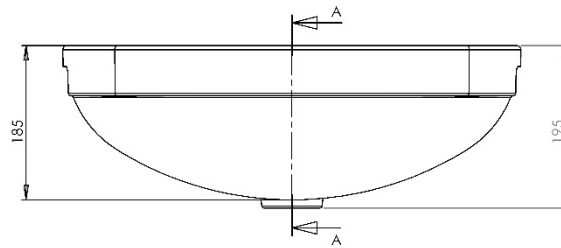
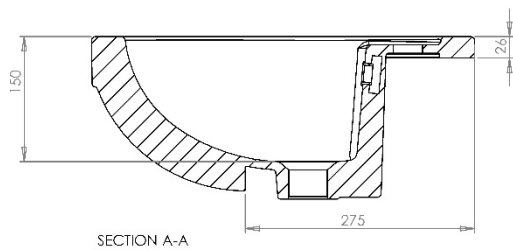
*Product Weight includes packaging.

Additional Documentation

Additional Documentation available on our website www.utopiagroup.com

Every effort has been made to ensure that the information provided on this document is correct at the time of creation. Finally, Utopia Furniture Ltd reserve the right to alter materials and specifications in line with continuing programme of production and service development.

**QUANTUM ROUND | QUANTUM ROUND SEMI-RECESSED STANDARD WASHBASIN 1TH
QRBASR55W1TH**



All dimension in mm. Please check dimensions prior to installation as they can vary due to manufacturing tolerances.

Product Details

Type:	Semi-Recessed Basin
Width:	550
Depth:	460
Height:	160
Product Weight*:	13.65Kg
Tolerances:	Upto 2%
Guarantee Period:	Lifetime (For Domestic Use) 1 Years (For Commercial Use)

Product Specification

Material:	Ceramic
Integrated Overflow:	Yes
Type of Waste Required:	Slotted
Quantity of Tap Holes:	3
Tap Position:	See Drawing
Standards:	BS EN 31 BS EN 14688

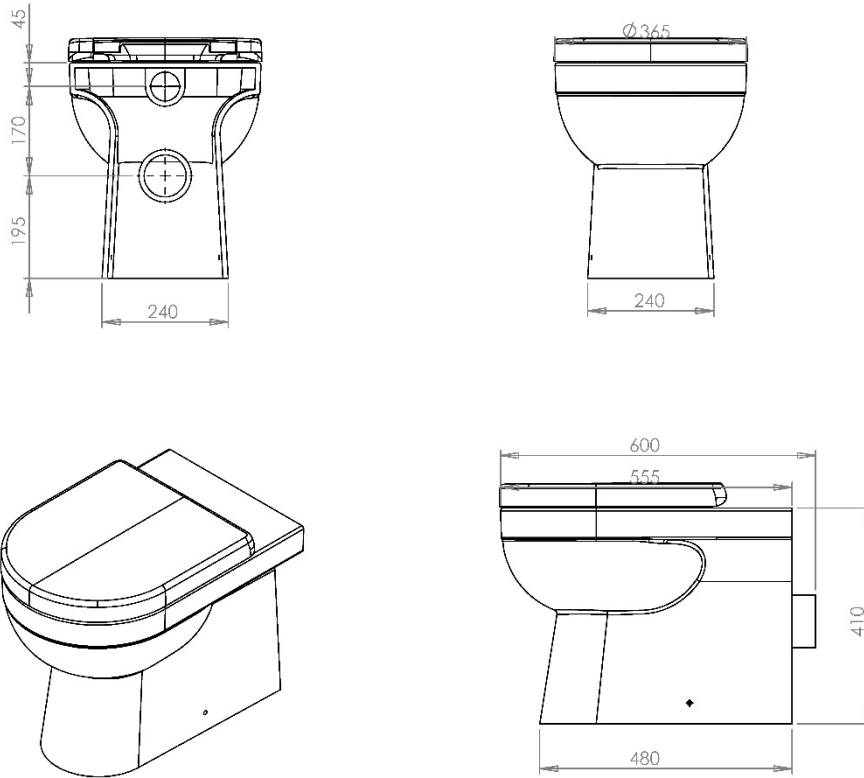
*Product Weight includes packaging.

Additional Documentation

Additional Documentation available on our website www.utopiagroup.com

Every effort has been made to ensure that the information provided on this document is correct at the time of creation. Finally, Utopia Furniture Ltd reserve the right to alter materials and specifications in line with continuing programme of production and service development.

**QUANTUM ROUND | QUANTUM RND BACK TO WALL WC & SOFT CLOSE SEAT
QRBTWPANDXW**



All dimension in mm. Please check dimensions prior to installation as they can vary due to manufacturing tolerances.

Product Details

Type:	Back-to-Wall Pan Including Seat
Width:	365
Depth:	555
Height:	410 excluding Seat
Product Weight*:	27.45Kg
Tolerances:	Upto 2%
Guarantee Period:	Lifetime (For Domestic Use) 1 Years (For Commercial Use)

Product Specification

Material:	Ceramic
Seat Type:	Soft Close
Outlet Visibility:	Concealed
Mounting Method:	Floor Mounted
Included Products:	Pan Fixings Soft Close Seat
Standards:	BS EN 33 BS EN 997

*Product Weight includes packaging.

Features

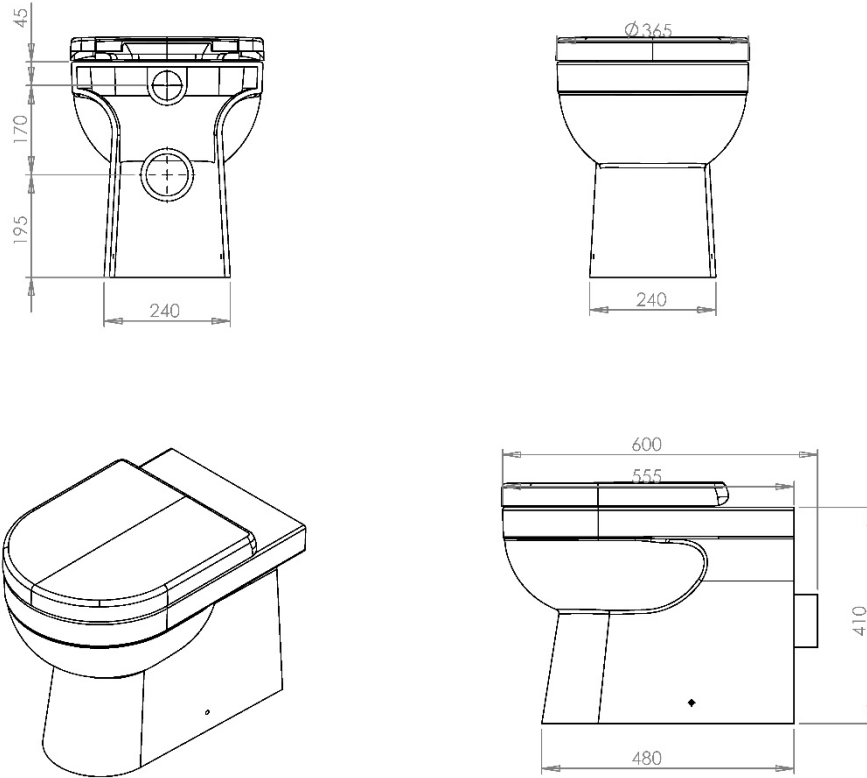
- Soft Close
- Space Saving

Additional Documentation

Additional Documentation available on our website www.utopiagroup.com

Every effort has been made to ensure that the information provided on this document is correct at the time of creation. Finally, Utopia Furniture Ltd reserve the right to alter materials and specifications in line with continuing programme of production and service development.

**QUANTUM ROUND | QUANTUM RND BTW WC INC PAINTED SEAT
QRBTWPANPSC**



All dimension in mm. Please check dimensions prior to installation as they can vary due to manufacturing tolerances.

Product Details

Type:	Back-to-Wall Pan Including Seat
Width:	365
Depth:	555
Height:	410 excluding Seat
Product Weight*:	28.15Kg
Tolerances:	Upto 2%
Guarantee Period:	Lifetime (For Domestic Use) 1 Years (For Commercial Use)

Product Specification

Material:	Ceramic
Seat Type:	Soft Close
Outlet Visibility:	Concealed
Mounting Method:	Floor Mounted
Included Products:	Pan Fixings Soft Close Seat
Standards:	BS EN 33 BS EN 997

*Product Weight includes packaging.

Features

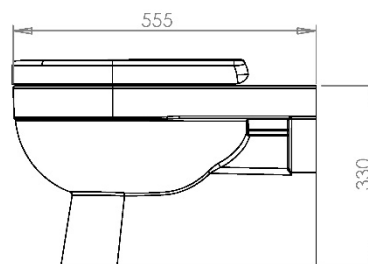
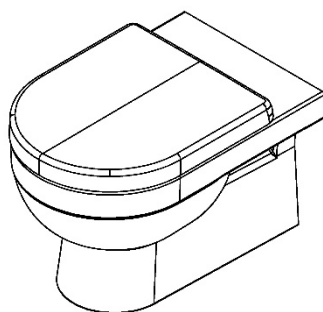
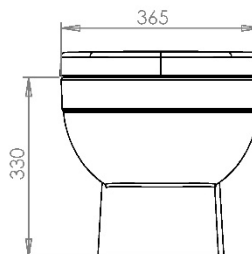
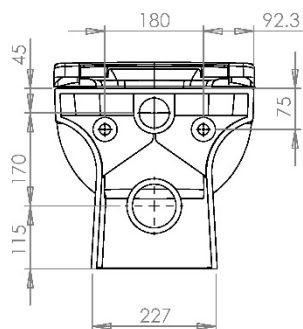
- Soft Close
- Space Saving

Additional Documentation

Additional Documentation available on our website www.utopiagroup.com

Every effort has been made to ensure that the information provided on this document is correct at the time of creation. Finally, Utopia Furniture Ltd reserve the right to alter materials and specifications in line with continuing programme of production and service development.

**QUANTUM ROUND | QUANTUM RND WALL HUNG WC & SOFT CLOSE SEAT
QRWHPANDXW**



All dimension in mm. Please check dimensions prior to installation as they can vary due to manufacturing tolerances.

Product Details

Type:	Wall Hung Pan Including Seat
Width:	365
Depth:	555
Height:	330 excluding Seat
Product Weight*:	23.40Kg
Tolerances:	Upto 2%
Guarantee Period:	Lifetime (For Domestic Use) 1 Years (For Commercial Use)

Product Specification

Material:	Ceramic
Seat Type:	Soft Close
Outlet Visibility:	Concealed
Mounting Method:	Wall Mounted
Included Products:	Pan Fixings Soft Close Seat
Standards:	BS EN 33 BS EN 997

*Product Weight includes packaging.

Features

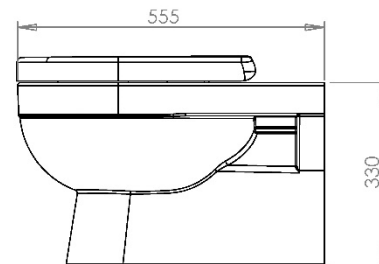
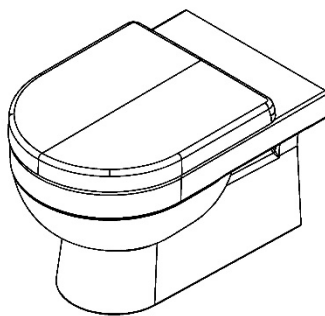
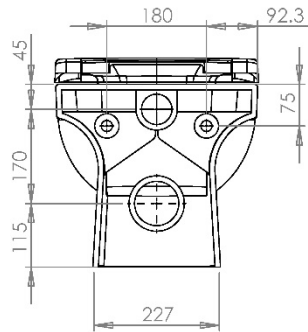
- Soft Close
- Space Saving

Additional Documentation

Additional Documentation available on our website www.utopiagroup.com

Every effort has been made to ensure that the information provided on this document is correct at the time of creation. Finally, Utopia Furniture Ltd reserve the right to alter materials and specifications in line with continuing programme of production and service development.

**QUANTUM ROUND | QUANTUM RND W/HUNG WC INC PAINTED SEAT
QRWHPANPSC**



All dimension in mm. Please check dimensions prior to installation as they can vary due to manufacturing tolerances.

Product Details

Type:	Wall Hung Pan Including Seat
Width:	365
Depth:	555
Height:	330 excluding Seat
Product Weight*:	24.10Kg
Tolerances:	Upto 2%
Guarantee Period:	Lifetime (For Domestic Use) 1 Years (For Commercial Use)

Product Specification

Material:	Ceramic
Seat Type:	Soft Close
Outlet Visibility:	Concealed
Mounting Method:	Wall Mounted
Included Products:	Pan Fixings Soft Close Seat
Standards:	BS EN 33 BS EN 997

*Product Weight includes packaging.

Features

- Soft Close
- Space Saving

Additional Documentation

Additional Documentation available on our website www.utopiagroup.com

Every effort has been made to ensure that the information provided on this document is correct at the time of creation. Finally, Utopia Furniture Ltd reserve the right to alter materials and specifications in line with continuing programme of production and service development.