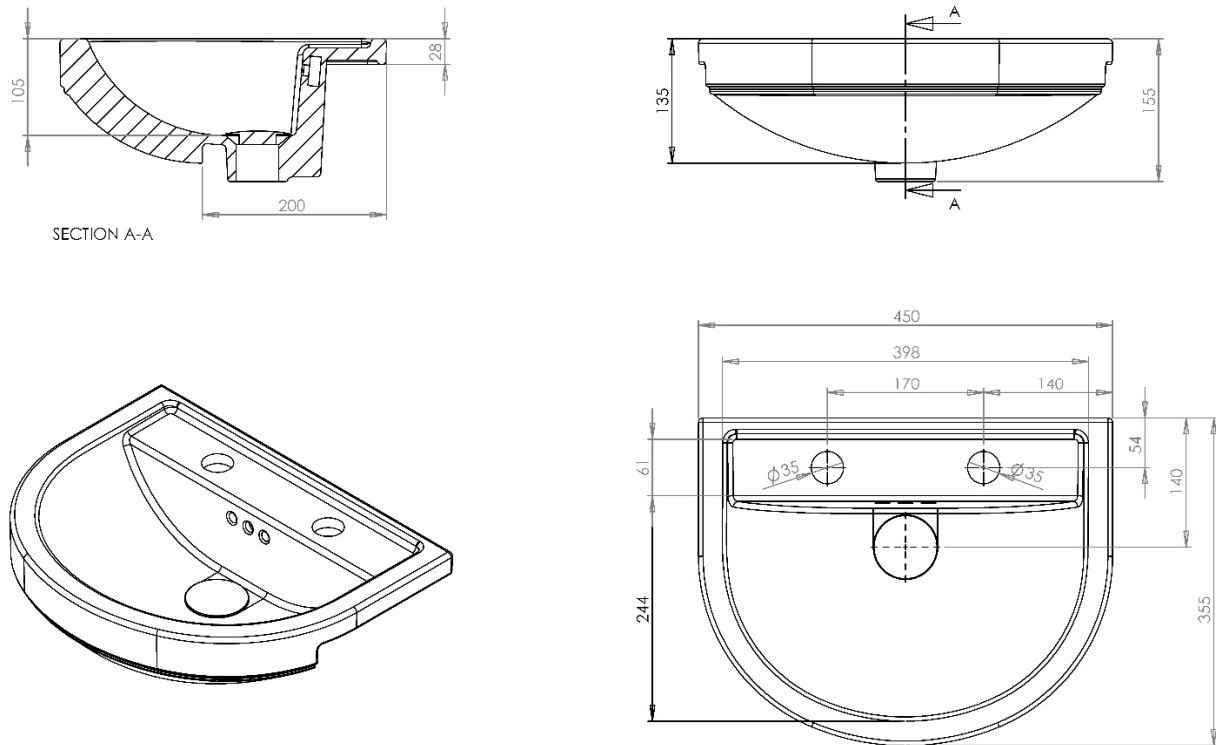


**MONET ROUND | MONET ROUND CLOAKROOM SEMI-RECESSED WASHBASIN 2TH  
MRBASRCL45W2TH**



All dimension in mm. Please check dimensions prior to installation as they can vary due to manufacturing tolerances.

**Product Details**

Type:	Semi-Recessed Space Saving Basin
Width:	450
Depth:	355
Height:	135
Product Weight*:	6.3Kg
Tolerances:	Upto 2%
Guarantee Period:	Lifetime (For Domestic Use) 1 Years (For Commercial Use)

**Product Specification**

Material:	Ceramic
Integrated Overflow:	Yes
Type of Waste Required:	Slotted
Quantity of Tap Holes:	2
Tap Position:	See Drawing
Standards:	BS EN 31 BS EN 14688

\*Product Weight includes packaging.

**Features**

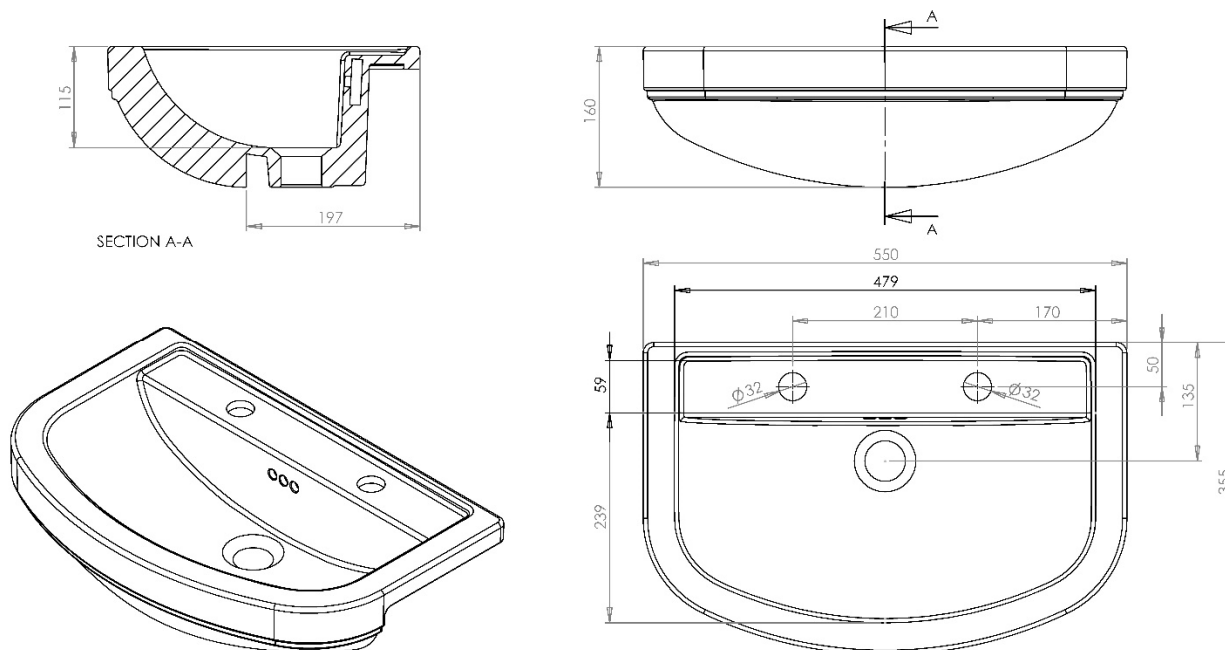
- Space Saving

**Additional Documentation**

Additional Documentation available on our website [www.utopiagroup.com](http://www.utopiagroup.com)

Every effort has been made to ensure that the information provided on this document is correct at the time of creation. Finally, Utopia Furniture Ltd reserve the right to alter materials and specifications in line with continuing programme of production and service development.

**MONET ROUND | MONET ROUND SHORT PROJECTION SEMI-RECESSED WASHBASIN 2TH**  
**MRBASRSP55W2TH**



All dimension in mm. Please check dimensions prior to installation as they can vary due to manufacturing tolerances.

**Product Details**

Type:	Semi-Recessed Space Saving Basin
Width:	550
Depth:	355
Height:	160
Product Weight*:	10.15Kg
Tolerances:	Upto 2%
Guarantee Period:	Lifetime (For Domestic Use) 1 Years (For Commercial Use)

**Product Specification**

Material:	Ceramic
Integrated Overflow:	Yes
Type of Waste Required:	Slotted
Quantity of Tap Holes:	2
Tap Position:	See Drawing
Standards:	BS EN 31 BS EN 14688

\*Product Weight includes packaging.

**Features**

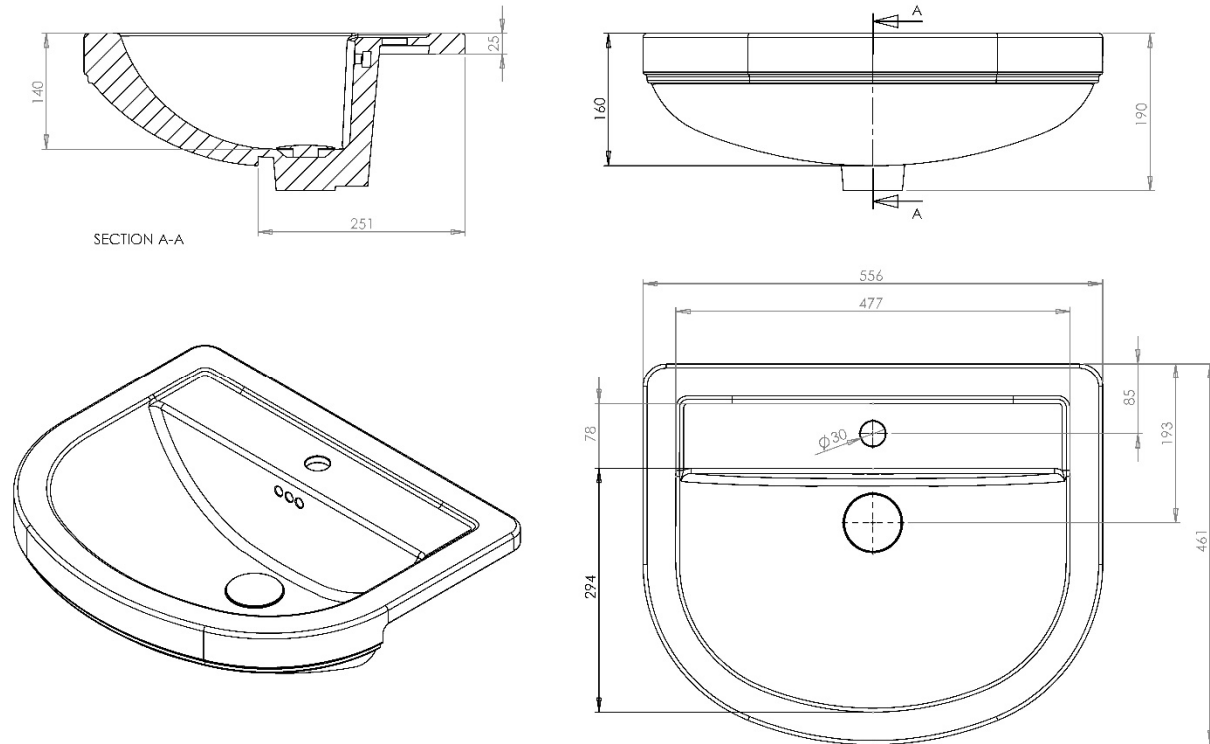
- Space Saving

**Additional Documentation**

Additional Documentation available on our website [www.utopiagroup.com](http://www.utopiagroup.com)

Every effort has been made to ensure that the information provided on this document is correct at the time of creation. Finally, Utopia Furniture Ltd reserve the right to alter materials and specifications in line with continuing programme of production and service development.

**MONET ROUND | MONET ROUND SEMI-RECESSED STANDARD WASHBASIN 1TH  
MRBASR55WITH**



All dimension in mm. Please check dimensions prior to installation as they can vary due to manufacturing tolerances.

**Product Details**

Type:	Semi-Recessed Basin
Width:	556
Depth:	461
Height:	160
Product Weight*:	13.55Kg
Tolerances:	Upto 2%
Guarantee Period:	Lifetime (For Domestic Use) 1 Years (For Commercial Use)

**Product Specification**

Material:	Ceramic
Integrated Overflow:	Yes
Type of Waste Required:	Slotted
Quantity of Tap Holes:	1
Tap Position:	Centre
Standards:	BS EN 31 BS EN 14688

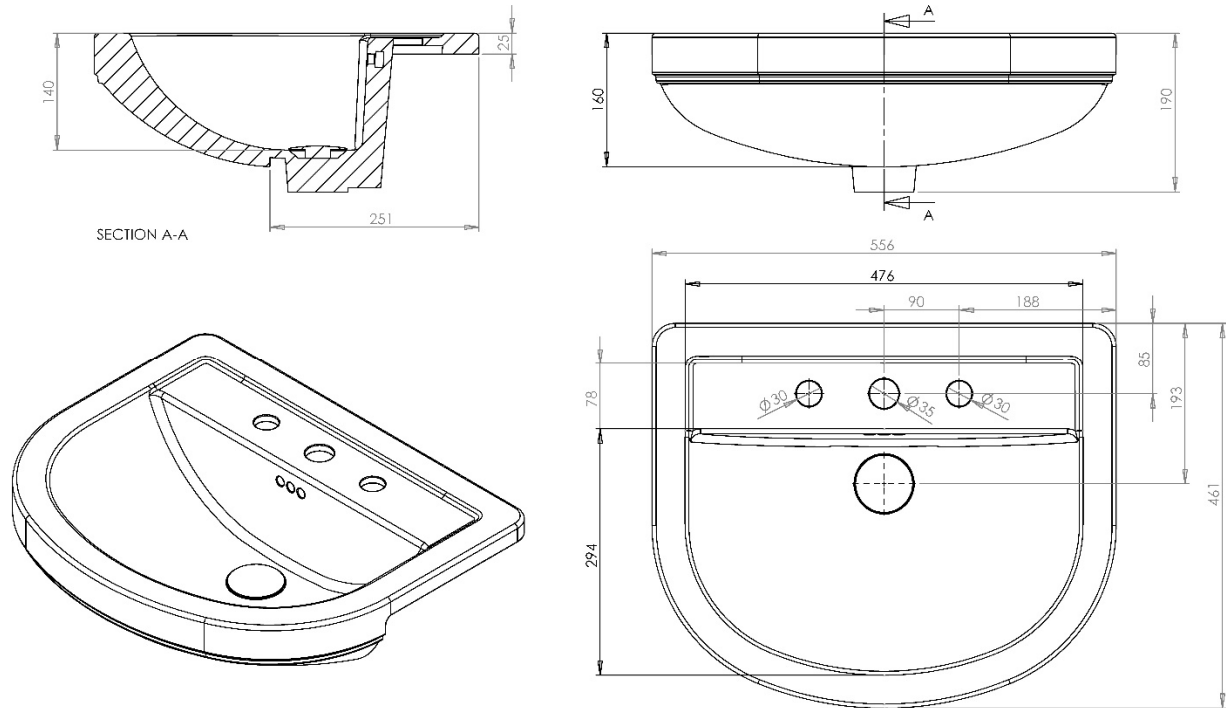
\*Product Weight includes packaging.

**Additional Documentation**

Additional Documentation available on our website [www.utopiagroup.com](http://www.utopiagroup.com)

Every effort has been made to ensure that the information provided on this document is correct at the time of creation. Finally, Utopia Furniture Ltd reserve the right to alter materials and specifications in line with continuing programme of production and service development.

**MONET ROUND | MONET ROUND SEMI-RECESSED STANDARD WASHBASIN 1TH  
MRBASR55WITH**



All dimension in mm. Please check dimensions prior to installation as they can vary due to manufacturing tolerances.

**Product Details**

Type:	Semi-Recessed Basin
Width:	556
Depth:	461
Height:	160
Product Weight*:	13.55Kg
Tolerances:	Upto 2%
Guarantee Period:	Lifetime (For Domestic Use) 1 Years (For Commercial Use)

**Product Specification**

Material:	Ceramic
Integrated Overflow:	Yes
Type of Waste Required:	Slotted
Quantity of Tap Holes:	3
Tap Position:	See Drawing
Standards:	BS EN 31 BS EN 14688

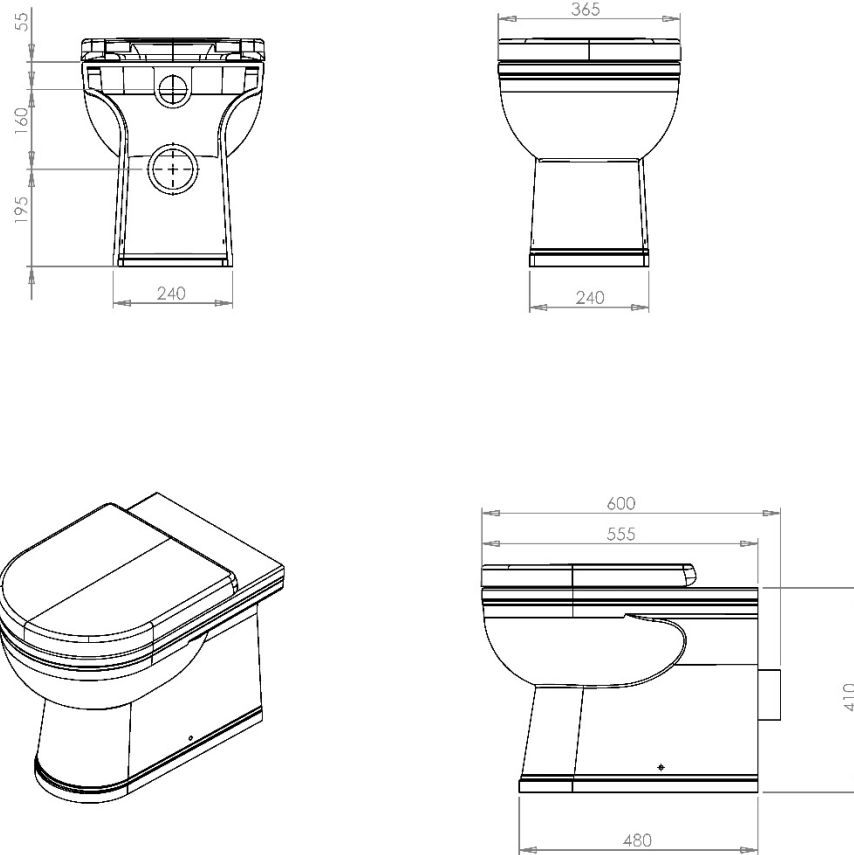
\*Product Weight includes packaging.

**Additional Documentation**

Additional Documentation available on our website [www.utopiagroup.com](http://www.utopiagroup.com)

Every effort has been made to ensure that the information provided on this document is correct at the time of creation. Finally, Utopia Furniture Ltd reserve the right to alter materials and specifications in line with continuing programme of production and service development.

**MONET ROUND | MONET RND BACK TO WALL WC & SOFT CLOSE SEAT  
MRBTWPANDXW**



All dimension in mm. Please check dimensions prior to installation as they can vary due to manufacturing tolerances.

**Product Details**

Type:	Back-to-Wall Pan Including Seat
Width:	365
Depth:	555
Height:	410 excluding Seat
Product Weight*:	23.20Kg
Tolerances:	Upto 2%
Guarantee Period:	Lifetime (For Domestic Use) 1 Years (For Commercial Use)

**Product Specification**

Material:	Ceramic
Seat Type:	Soft Close
Outlet Visibility:	Concealed
Mounting Method:	Floor Mounted
Included Products:	Pan Fixings Soft Close Seat
Standards:	BS EN 33 BS EN 997

\*Product Weight includes packaging.

**Features**

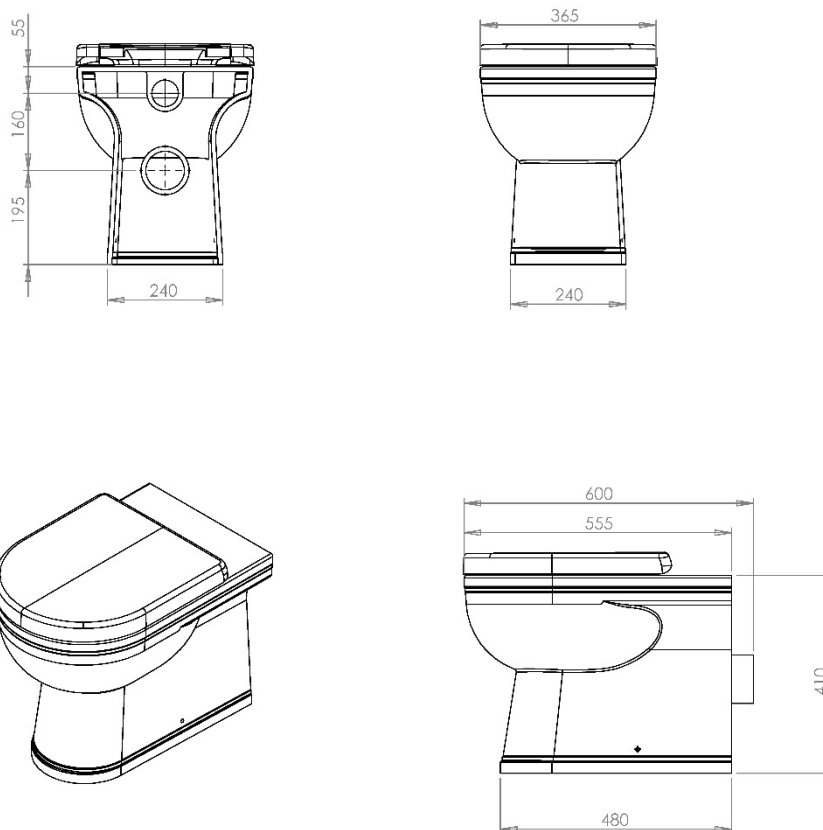
- Soft Close
- Space Saving

**Additional Documentation**

Additional Documentation available on our website [www.utopiagroup.com](http://www.utopiagroup.com)

Every effort has been made to ensure that the information provided on this document is correct at the time of creation. Finally, Utopia Furniture Ltd reserve the right to alter materials and specifications in line with continuing programme of production and service development.

**MONET ROUND | MONET RND BTW WC INC PAINTED SEAT  
MRBTWPANPSC**



All dimension in mm. Please check dimensions prior to installation as they can vary due to manufacturing tolerances.

**Product Details**

Type:	Back-to-Wall Pan Including Seat
Width:	365
Depth:	555
Height:	410 excluding Seat
Product Weight*:	26.75Kg
Tolerances:	Upto 2%
Guarantee Period:	Lifetime (For Domestic Use) 1 Years (For Commercial Use)

**Product Specification**

Material:	Ceramic
Seat Type:	Soft Close
Outlet Visibility:	Concealed
Mounting Method:	Floor Mounted
Included Products:	Pan Fixings Soft Close Seat
Standards:	BS EN 33 BS EN 997

\*Product Weight includes packaging.

**Features**

- Soft Close
- Space Saving

**Additional Documentation**

Additional Documentation available on our website [www.utopiagroup.com](http://www.utopiagroup.com)

Every effort has been made to ensure that the information provided on this document is correct at the time of creation. Finally, Utopia Furniture Ltd reserve the right to alter materials and specifications in line with continuing programme of production and service development.