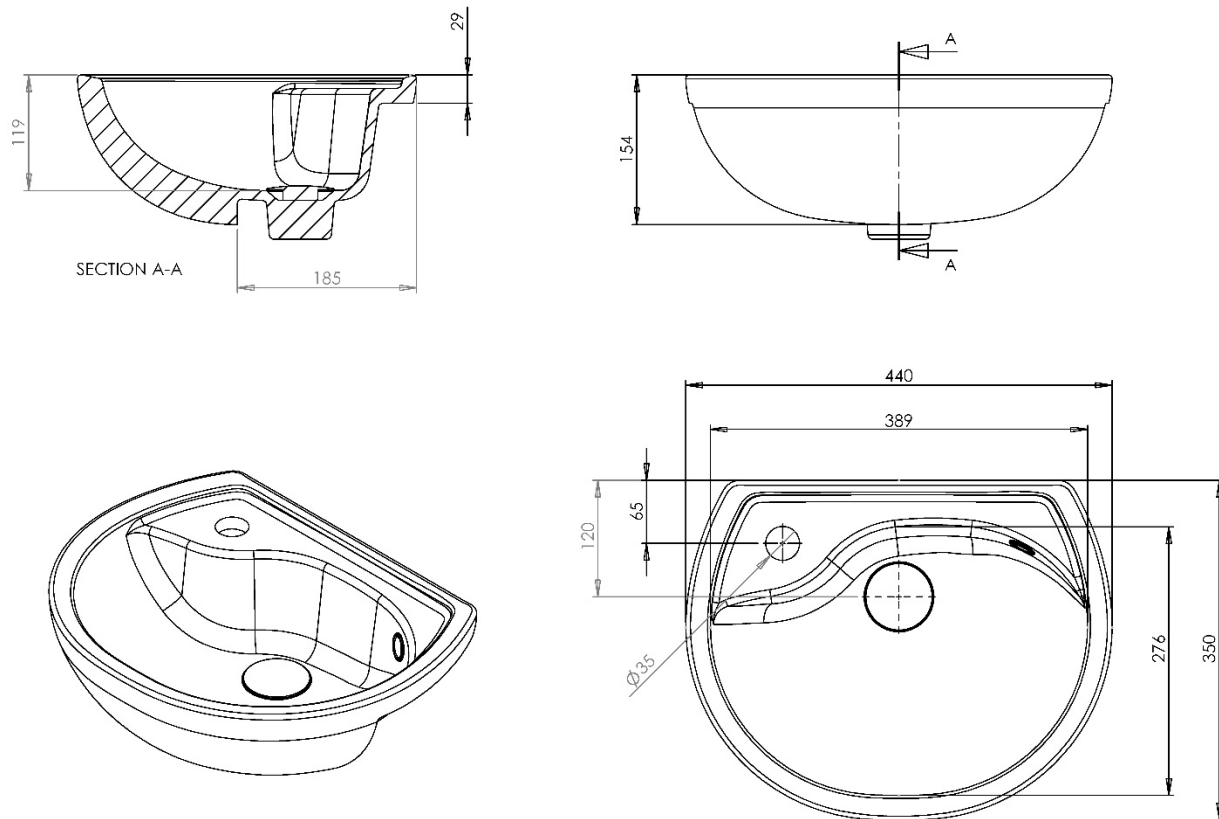


MATESE | MATESE CLOAKROOM SEMI-RECESSED WASHBASIN

MABASRCL44W



All dimension in mm. Please check dimensions prior to installation as they can vary due to manufacturing tolerances.

Product Details

Type:	Semi-Recessed Space Saving Basin
Width:	440
Depth:	350
Height:	154
Product Weight*:	8.7Kg
Tolerances:	Upto 2%
Guarantee Period:	Lifetime (For Domestic Use) 1 Years (For Commercial Use)

Product Specification

Material:	Ceramic
Integrated Overflow:	Yes
Type of Waste Required:	Slotted
Quantity of Tap Holes:	1
Tap Position:	Left
Standards:	BS EN 31 BS EN 14688

*Product Weight includes packaging.

Features

- Space Saving

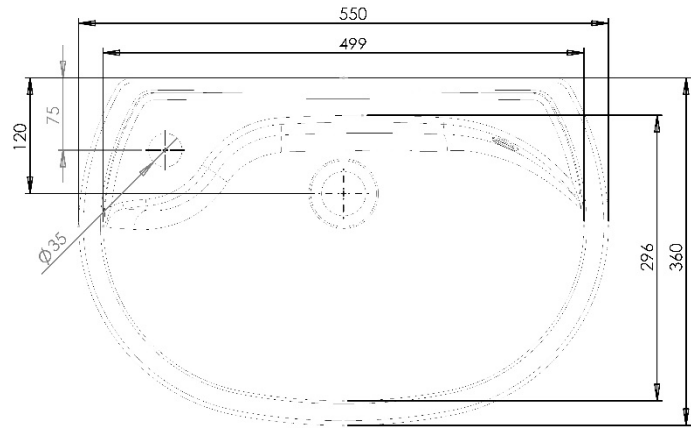
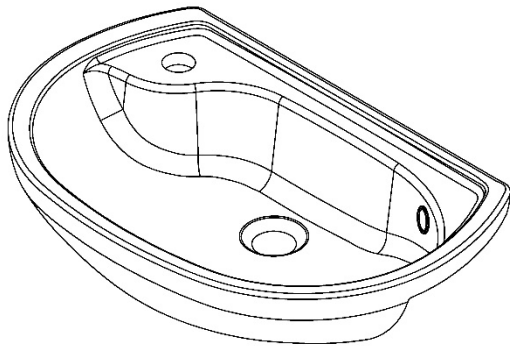
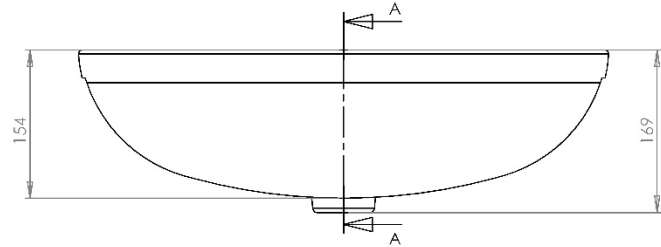
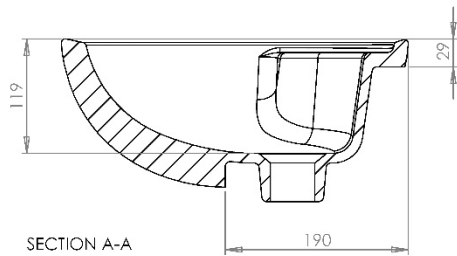
Additional Documentation

Additional Documentation available on our website www.utopiagroup.com

Every effort has been made to ensure that the information provided on this document is correct at the time of creation. Finally, Utopia Furniture Ltd reserve the right to alter materials and specifications in line with continuing programme of production and service development.

MATESE | MATESE SHORT PROJECTION SEMI-RECESSED WASH BASIN

MABASRSP55W



All dimension in mm. Please check dimensions prior to installation as they can vary due to manufacturing tolerances.

Product Details

Type:	Semi-Recessed Space Saving Basin
Width:	550
Depth:	348
Height:	169
Product Weight*:	10.10Kg
Tolerances:	Upto 2%
Guarantee Period:	Lifetime (For Domestic Use) 1 Years (For Commercial Use)

Product Specification

Material:	Ceramic
Integrated Overflow:	Yes
Type of Waste Required:	Slotted
Quantity of Tap Holes:	1
Tap Position:	Left
Standards:	BS EN 31 BS EN 14688

*Product Weight includes packaging.

Features

- Space Saving

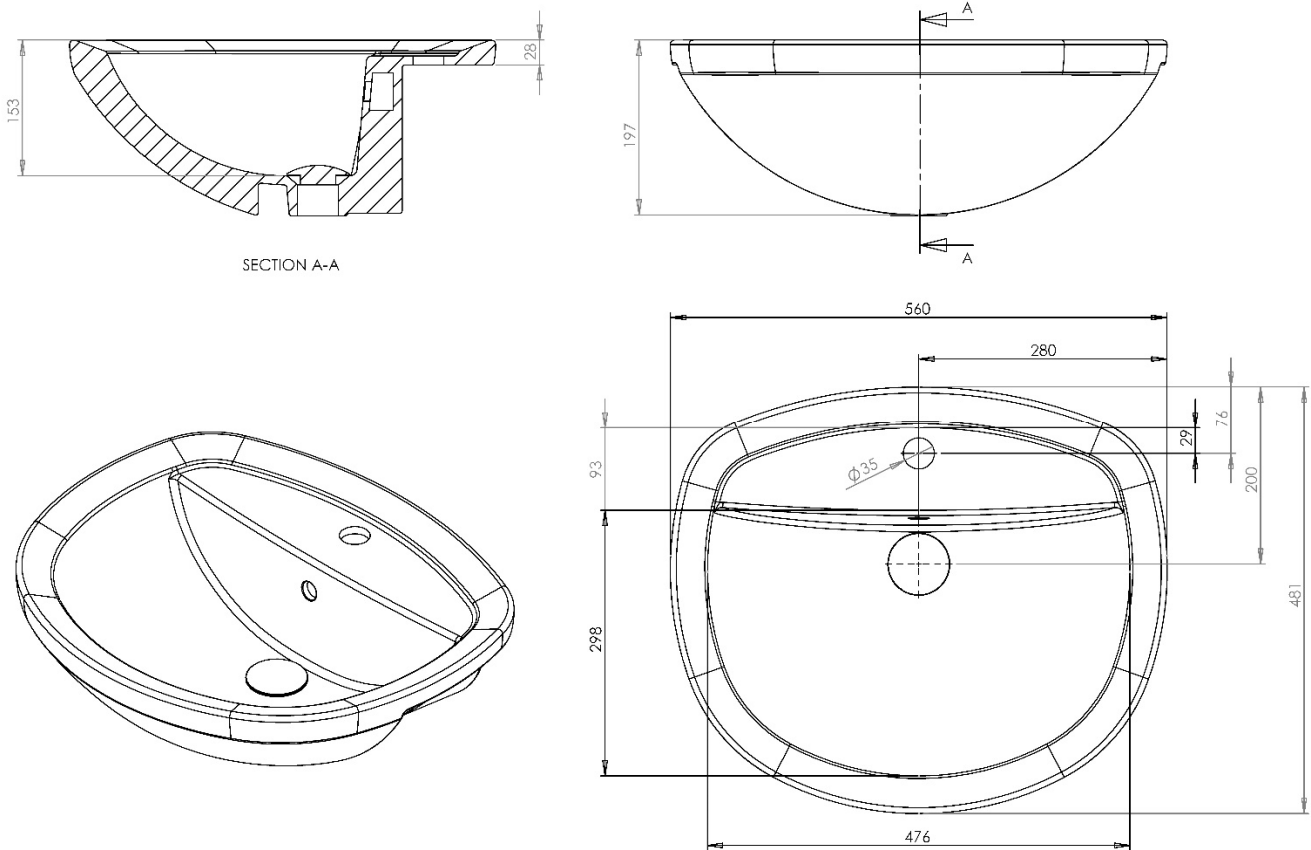
Additional Documentation

Additional Documentation available on our website www.utopiagroup.com

Every effort has been made to ensure that the information provided on this document is correct at the time of creation. Finally, Utopia Furniture Ltd reserve the right to alter materials and specifications in line with continuing programme of production and service development.

MATESE | MATESE SEMI-RECESSED STANDARD WASH BASIN

MABASR55W



All dimension in mm. Please check dimensions prior to installation as they can vary due to manufacturing tolerances.

Product Details

Type:	Semi-Recessed Basin
Width:	560
Depth:	481
Height:	197
Product Weight*:	12.55Kg
Tolerances:	Upto 2%
Guarantee Period:	Lifetime (For Domestic Use) 1 Years (For Commercial Use)

Product Specification

Material:	Ceramic
Integrated Overflow:	Yes
Type of Waste Required:	Slotted
Quantity of Tap Holes:	1
Tap Position:	Centre
Standards:	BS EN 31 BS EN 14688

*Product Weight includes packaging.

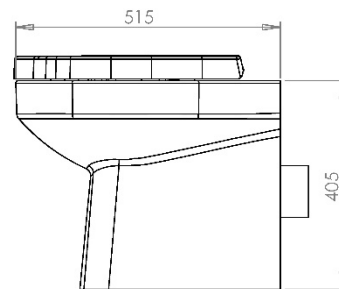
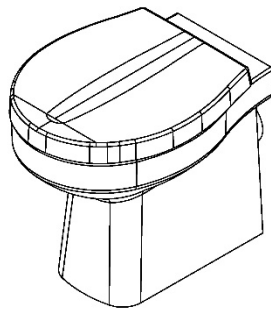
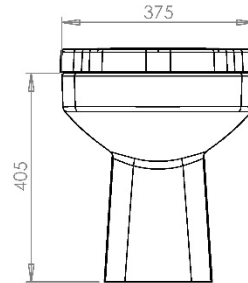
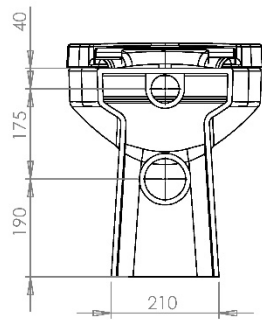
Additional Documentation

Additional Documentation available on our website www.utopiagroup.com

Every effort has been made to ensure that the information provided on this document is correct at the time of creation. Finally, Utopia Furniture Ltd reserve the right to alter materials and specifications in line with continuing programme of production and service development.

MATESE | MATESE RND BACK TO WALL WC & SOFT CLOSE SEAT

MABTWPANDXW



All dimension in mm. Please check dimensions prior to installation as they can vary due to manufacturing tolerances.

Product Details

Type:	Back-to-Wall Pan Including Seat
Width:	375
Depth:	515
Height:	405 excluding Seat
Product Weight*:	27.20Kg
Tolerances:	Upto 2%
Guarantee Period:	Lifetime (For Domestic Use) 1 Years (For Commercial Use)

Product Specification

Material:	Ceramic
Seat Type:	Soft Close
Outlet Visibility:	Concealed
Mounting Method:	Floor Mounted
Included Products:	Pan Fixings Soft Close Seat
Standards:	BS EN 33 BS EN 997

*Product Weight includes packaging.

Features

- Soft Close
- Space Saving

Additional Documentation

Additional Documentation available on our website www.utopiagroup.com

Every effort has been made to ensure that the information provided on this document is correct at the time of creation. Finally, Utopia Furniture Ltd reserve the right to alter materials and specifications in line with continuing programme of production and service development.