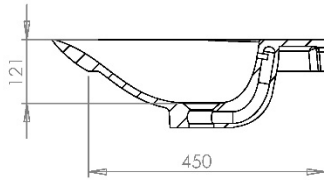
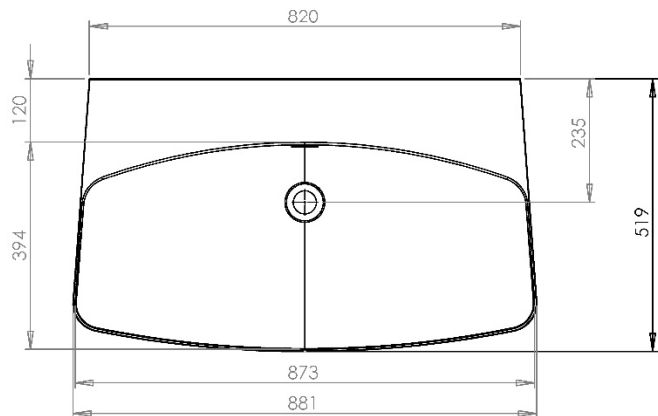
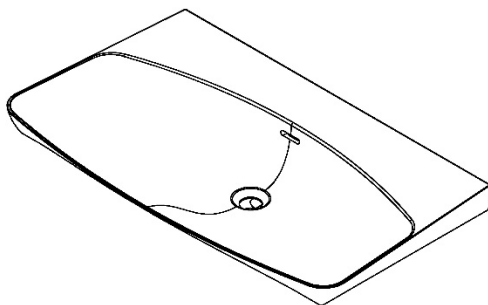
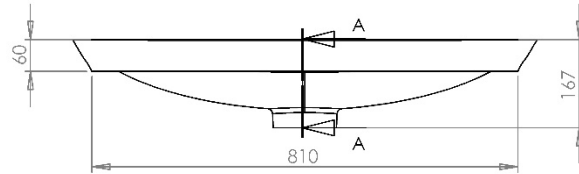


**LUSTRE | LUSTRE MATT BASIN 800**

**PT170011**



SECTION A-A



All dimension in mm. Please check dimensions prior to installation as they can vary due to manufacturing tolerances.

**Product Details**

Type:	Slabtop Basin
Width:	881
Depth:	519
Height:	167
Product Weight*:	18.5Kg
Tolerances:	Upto 2%
Guarantee Period:	Lifetime (For Domestic Use) 1 Years (For Commercial Use)

**Product Specification**

Material:	Coralux
Integrated Overflow:	Yes
Type of Waste Required:	Slotted
Quantity of Tap Holes:	N/A
Tap Position:	N/A
Standards:	BS EN 31 BS EN 14688

\*Product Weight includes packaging.

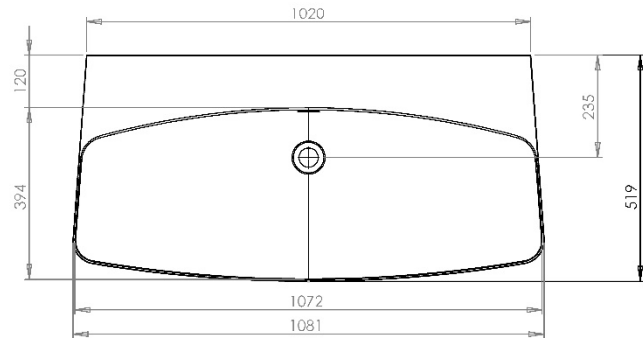
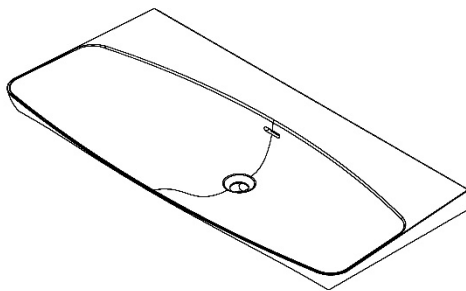
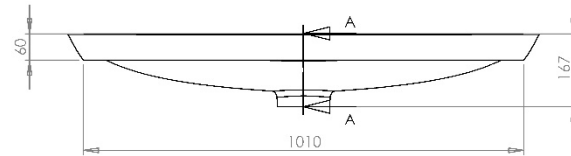
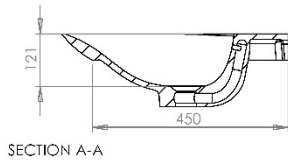
**Additional Documentation**

Additional Documentation available on our website [www.utopiagroup.com](http://www.utopiagroup.com)

Every effort has been made to ensure that the information provided on this document is correct at the time of creation. Finally, Utopia Furniture Ltd reserve the right to alter materials and specifications in line with continuing programme of production and service development.

**LUSTRE | LUSTRE MATT BASIN 1000**

**PT170012**



All dimension in mm. Please check dimensions prior to installation as they can vary due to manufacturing tolerances.

**Product Details**

Type:	Slabtop Basin
Width:	1081
Depth:	519
Height:	167
Product Weight*:	21.8Kg
Tolerances:	Upto 2%
Guarantee Period:	Lifetime (For Domestic Use) 1 Years (For Commercial Use)

**Product Specification**

Material:	Coralux
Integrated Overflow:	Yes
Type of Waste Required:	Slotted
Quantity of Tap Holes:	N/A
Tap Position:	N/A
Standards:	BS EN 31 BS EN 14688

\*Product Weight includes packaging.

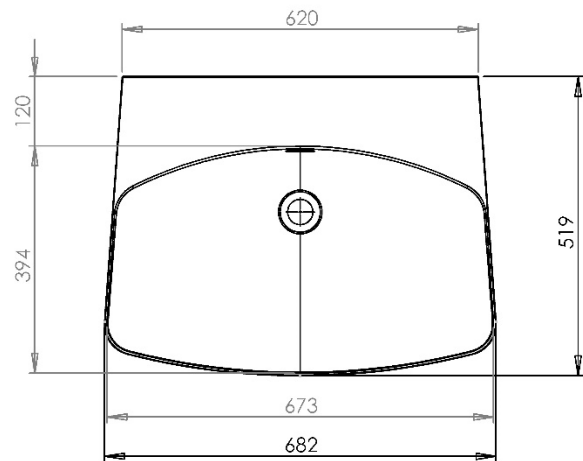
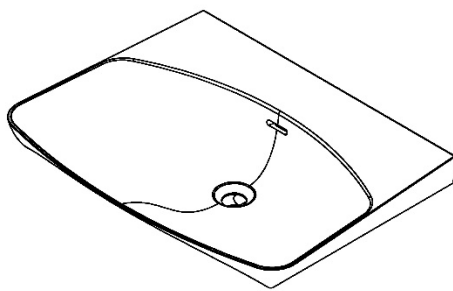
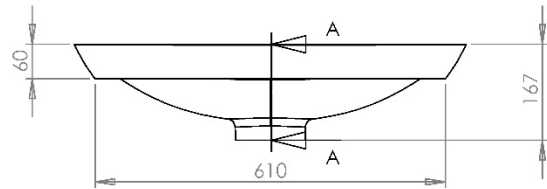
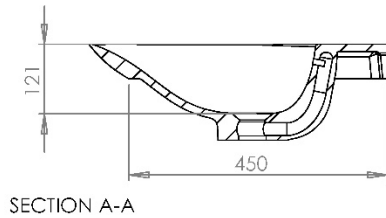
**Additional Documentation**

Additional Documentation available on our website [www.utopiagroup.com](http://www.utopiagroup.com)

Every effort has been made to ensure that the information provided on this document is correct at the time of creation. Finally, Utopia Furniture Ltd reserve the right to alter materials and specifications in line with continuing programme of production and service development.

**LUSTRE | LUSTRE MATT BASIN 600**

**PT170013**



All dimension in mm. Please check dimensions prior to installation as they can vary due to manufacturing tolerances.

**Product Details**

**Product Specification**

Type:	Slabtop Basin
Width:	682
Depth:	519
Height:	167
Product Weight*:	14.9Kg
Tolerances:	Upto 2%
Guarantee Period:	Lifetime (For Domestic Use) 1 Years (For Commercial Use)

Material:	Coralux
Integrated Overflow:	Yes
Type of Waste Required:	Slotted
Quantity of Tap Holes:	N/A
Tap Position:	N/A
Standards:	BS EN 31 BS EN 14688

\*Product Weight includes packaging.

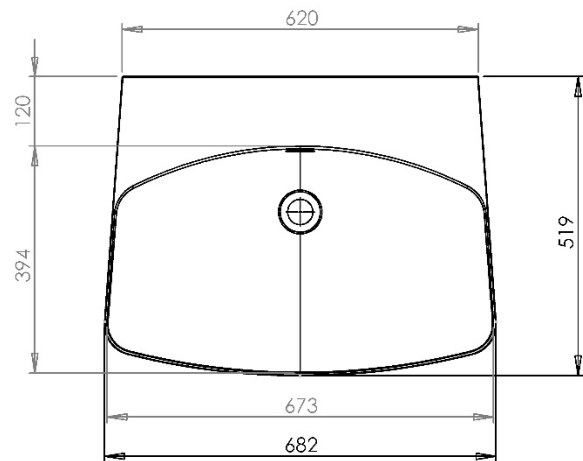
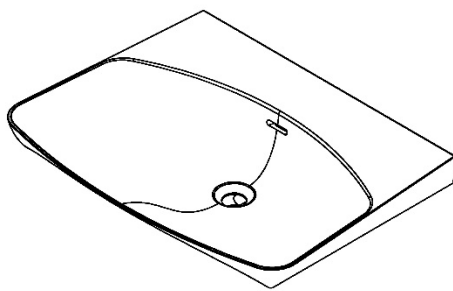
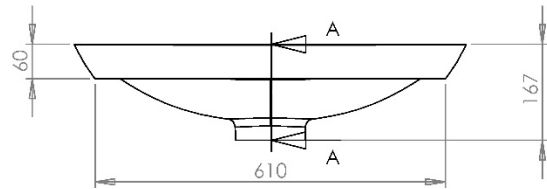
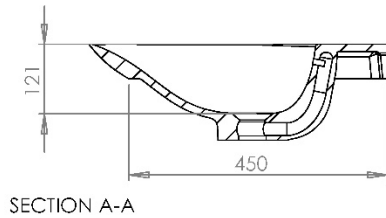
**Additional Documentation**

Additional Documentation available on our website [www.utopiagroup.com](http://www.utopiagroup.com)

Every effort has been made to ensure that the information provided on this document is correct at the time of creation. Finally, Utopia Furniture Ltd reserve the right to alter materials and specifications in line with continuing programme of production and service development.

**LUSTRE | LUSTRE GLOSS BASIN 600**

**PT190004**



All dimension in mm. Please check dimensions prior to installation as they can vary due to manufacturing tolerances.

**Product Details**

**Product Specification**

Type:	Slabtop Basin
Width:	682
Depth:	519
Height:	167
Product Weight*:	14.9Kg
Tolerances:	Upto 2%
Guarantee Period:	Lifetime (For Domestic Use) 1 Years (For Commercial Use)

Material:	Coralux Gloss
Integrated Overflow:	Yes
Type of Waste Required:	Slotted
Quantity of Tap Holes:	N/A
Tap Position:	N/A
Standards:	BS EN 31 BS EN 14688

\*Product Weight includes packaging.

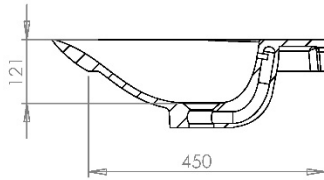
**Additional Documentation**

Additional Documentation available on our website [www.utopiagroup.com](http://www.utopiagroup.com)

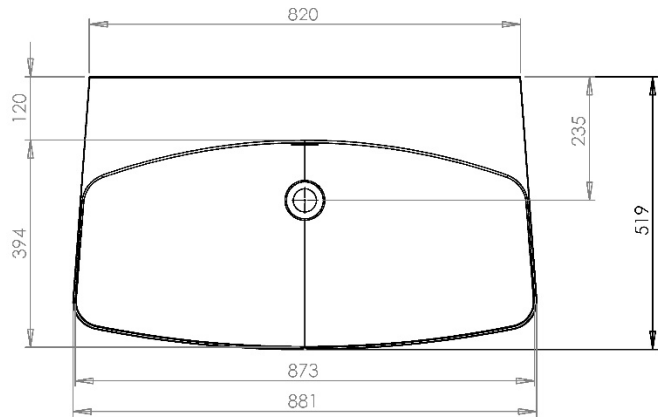
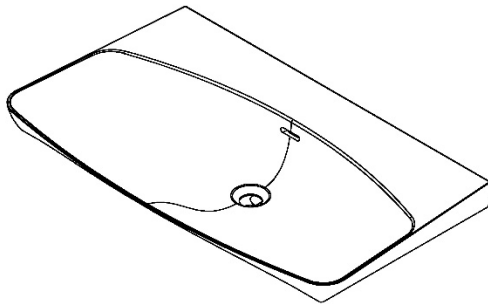
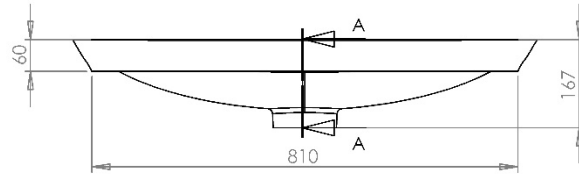
Every effort has been made to ensure that the information provided on this document is correct at the time of creation. Finally, Utopia Furniture Ltd reserve the right to alter materials and specifications in line with continuing programme of production and service development.

**LUSTRE | LUSTRE GLOSS BASIN 800**

**PT190005**



SECTION A-A



All dimension in mm. Please check dimensions prior to installation as they can vary due to manufacturing tolerances.

**Product Details**

Type:	Slabtop Basin
Width:	881
Depth:	519
Height:	167
Product Weight*:	18.5Kg
Tolerances:	Upto 2%
Guarantee Period:	Lifetime (For Domestic Use) 1 Years (For Commercial Use)

**Product Specification**

Material:	Coralux Gloss
Integrated Overflow:	Yes
Type of Waste Required:	Slotted
Quantity of Tap Holes:	N/A
Tap Position:	N/A
Standards:	BS EN 31 BS EN 14688

\*Product Weight includes packaging.

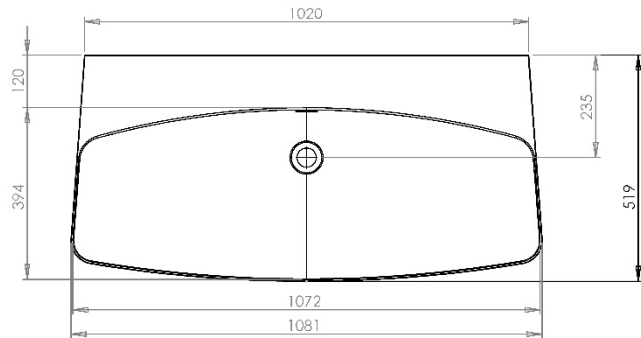
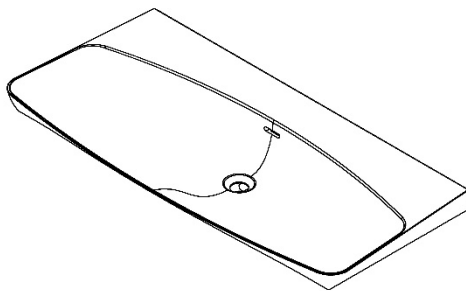
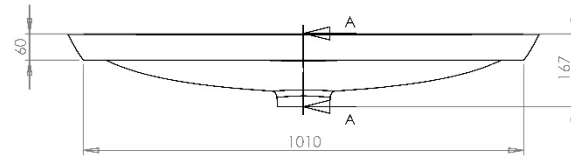
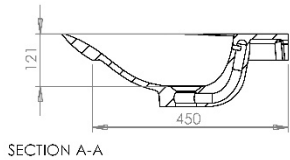
**Additional Documentation**

Additional Documentation available on our website [www.utopiagroup.com](http://www.utopiagroup.com)

Every effort has been made to ensure that the information provided on this document is correct at the time of creation. Finally, Utopia Furniture Ltd reserve the right to alter materials and specifications in line with continuing programme of production and service development.

**LUSTRE | LUSTRE GLOSS BASIN 1000**

**PT190006**



All dimension in mm. Please check dimensions prior to installation as they can vary due to manufacturing tolerances.

**Product Details**

Type:	Slabtop Basin
Width:	1081
Depth:	519
Height:	167
Product Weight*:	21.8Kg
Tolerances:	Upto 2%
Guarantee Period:	Lifetime (For Domestic Use) 1 Years (For Commercial Use)

**Product Specification**

Material:	Coralux Gloss
Integrated Overflow:	Yes
Type of Waste Required:	Slotted
Quantity of Tap Holes:	N/A
Tap Position:	N/A
Standards:	BS EN 31 BS EN 14688

\*Product Weight includes packaging.

**Additional Documentation**

Additional Documentation available on our website [www.utopiagroup.com](http://www.utopiagroup.com)

Every effort has been made to ensure that the information provided on this document is correct at the time of creation. Finally, Utopia Furniture Ltd reserve the right to alter materials and specifications in line with continuing programme of production and service development.