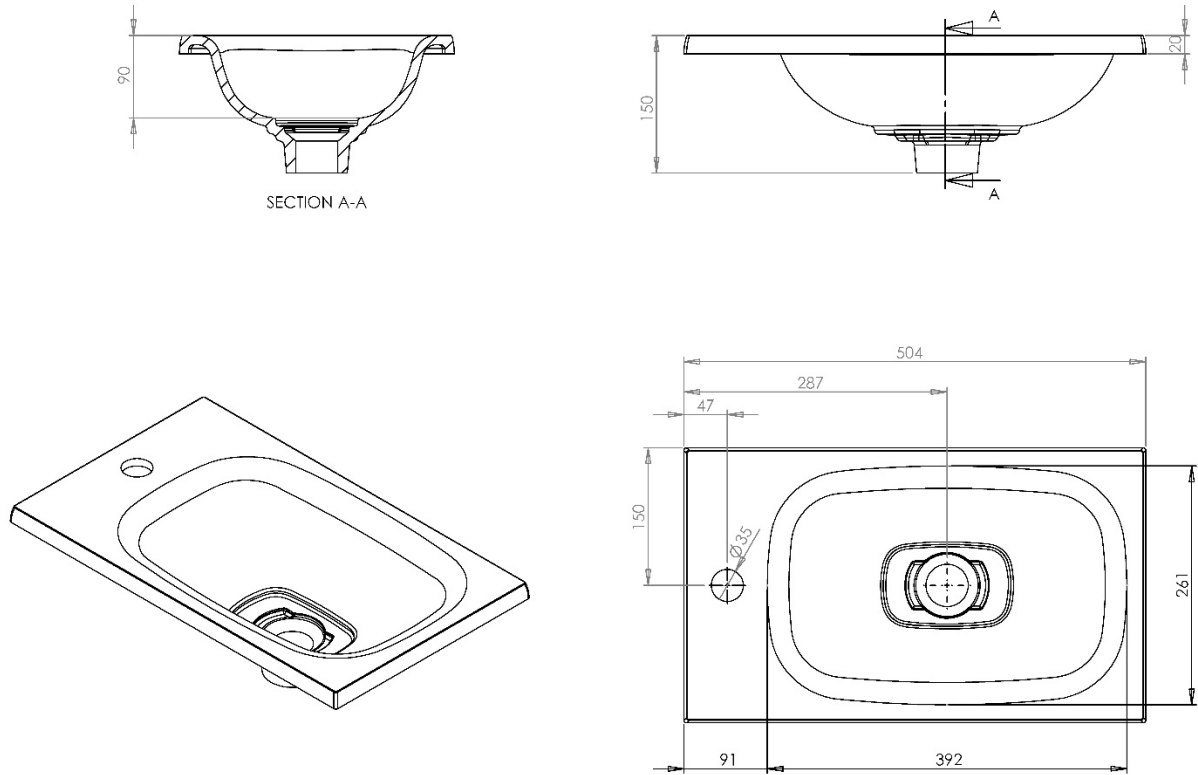


**HALO | HALO 500 CLOAKROOM BASIN**

**HALO/BASINCLOAK**



All dimension in mm. Please check dimensions prior to installation as they can vary due to manufacturing tolerances.

**Product Details**

Type:	Slabtop Space Saving Basin
Width:	504
Depth:	261
Height:	150
Product Weight*:	6.60Kg
Tolerances:	Upto 2%
Guarantee Period:	Lifetime (For Domestic Use) 1 Years (For Commercial Use)

**Product Specification**

Material:	Minercast
Integrated Overflow:	Yes
Type of Waste Required:	Slotted
Quantity of Tap Holes:	1
Tap Position:	Left
Standards:	BS EN 31 BS EN 14688

\*Product Weight includes packaging.

**Features**

- Space Saving

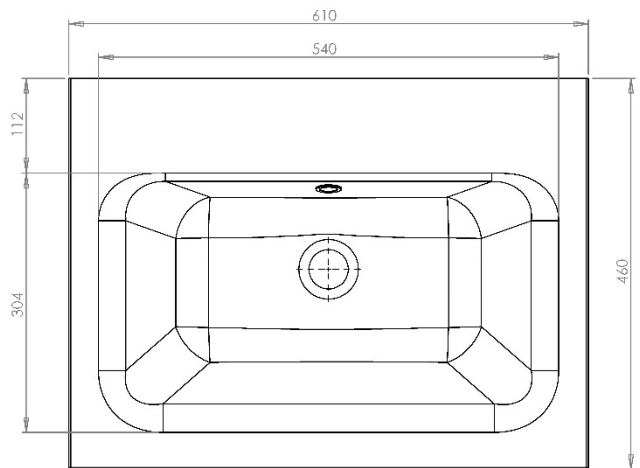
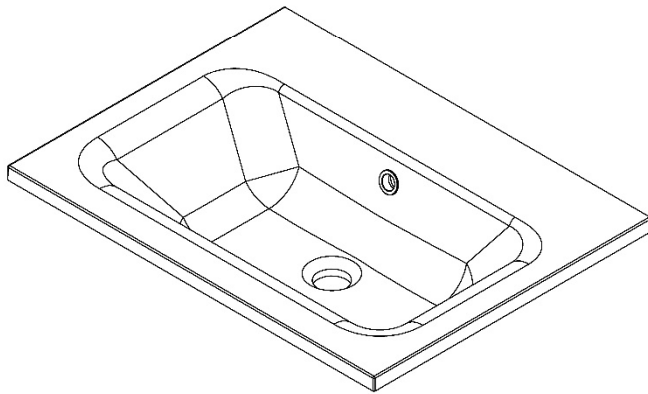
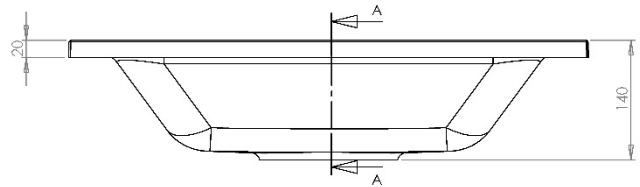
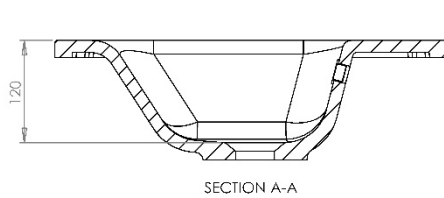
**Additional Documentation**

Additional Documentation available on our website [www.utopiagroup.com](http://www.utopiagroup.com)

Every effort has been made to ensure that the information provided on this document is correct at the time of creation. Finally, Utopia Furniture Ltd reserve the right to alter materials and specifications in line with continuing programme of production and service development.

**HALO | HALO MATT BASIN 610**

**HALO/BASIN610/COR**



All dimension in mm. Please check dimensions prior to installation as they can vary due to manufacturing tolerances.

**Product Details**

Type:	Slabtop Basin
Width:	610
Depth:	460
Height:	140
Product Weight*:	10.95Kg
Tolerances:	Upto 2%
Guarantee Period:	Lifetime (For Domestic Use) 1 Years (For Commercial Use)

**Product Specification**

Material:	Coralux
Integrated Overflow:	Yes
Type of Waste Required:	Slotted
Quantity of Tap Holes:	N/A
Tap Position:	N/A
Standards:	BS EN 31 BS EN 14688

\*Product Weight includes packaging.

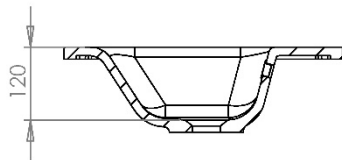
**Additional Documentation**

Additional Documentation available on our website [www.utopiagroup.com](http://www.utopiagroup.com)

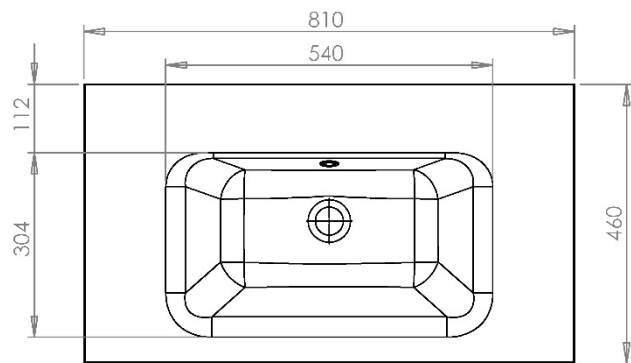
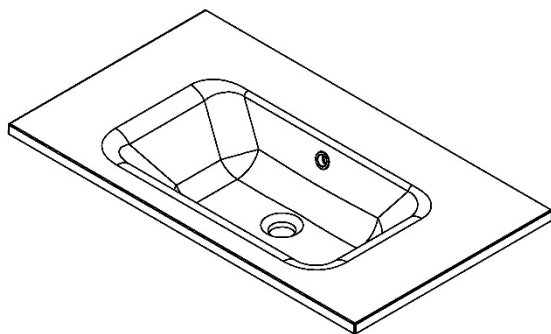
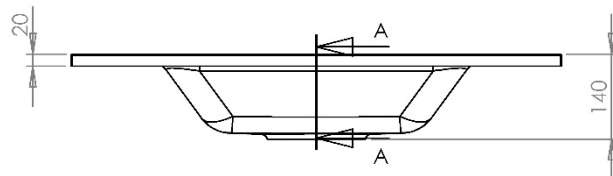
Every effort has been made to ensure that the information provided on this document is correct at the time of creation. Finally, Utopia Furniture Ltd reserve the right to alter materials and specifications in line with continuing programme of production and service development.

**HALO | HALO MATT BASIN 810**

**PT170016**



SECTION A-A



All dimension in mm. Please check dimensions prior to installation as they can vary due to manufacturing tolerances.

**Product Details**

Type:	Slabtop Basin
Width:	810
Depth:	460
Height:	140
Product Weight*:	13.60Kg
Tolerances:	Upto 2%
Guarantee Period:	Lifetime (For Domestic Use) 1 Years (For Commercial Use)

**Product Specification**

Material:	Coralux
Integrated Overflow:	Yes
Type of Waste Required:	Slotted
Quantity of Tap Holes:	N/A
Tap Position:	N/A
Standards:	BS EN 31 BS EN 14688

\*Product Weight includes packaging.

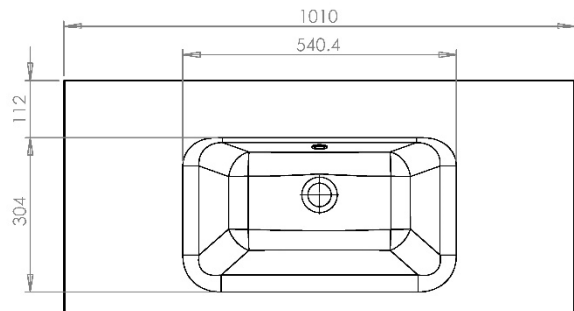
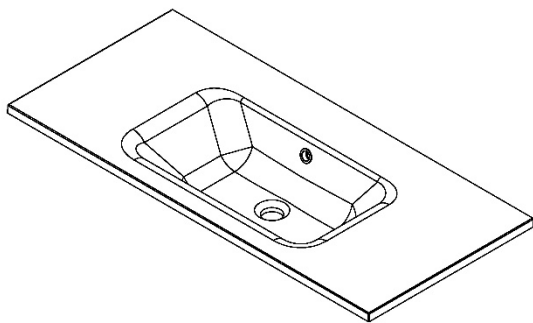
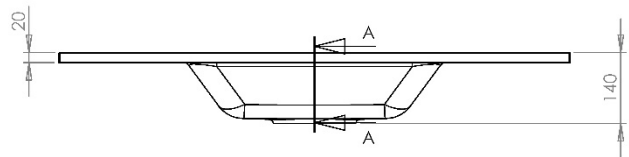
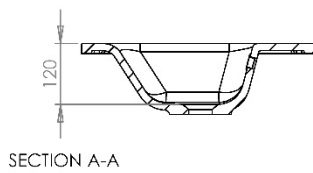
**Additional Documentation**

Additional Documentation available on our website [www.utopiagroup.com](http://www.utopiagroup.com)

Every effort has been made to ensure that the information provided on this document is correct at the time of creation. Finally, Utopia Furniture Ltd reserve the right to alter materials and specifications in line with continuing programme of production and service development.

**HALO | HALO MATT BASIN 1010**

**PT170017**



All dimension in mm. Please check dimensions prior to installation as they can vary due to manufacturing tolerances.

**Product Details**

Type:	Slabtop Basin
Width:	1010
Depth:	460
Height:	140
Product Weight*:	16.30Kg
Tolerances:	Upto 2%
Guarantee Period:	Lifetime (For Domestic Use) 1 Years (For Commercial Use)

**Product Specification**

Material:	Coralux
Integrated Overflow:	Yes
Type of Waste Required:	Slotted
Quantity of Tap Holes:	N/A
Tap Position:	N/A
Standards:	BS EN 31 BS EN 14688

\*Product Weight includes packaging.

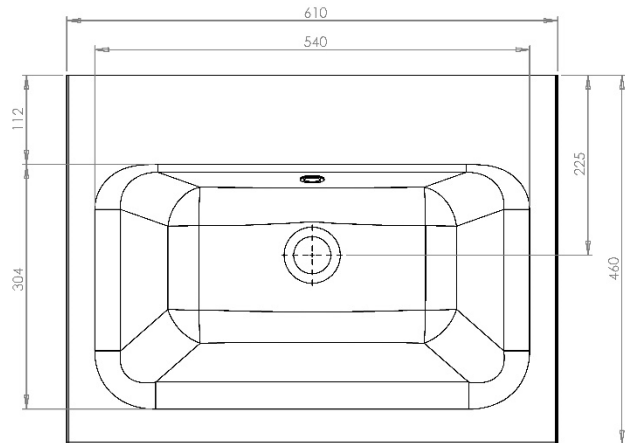
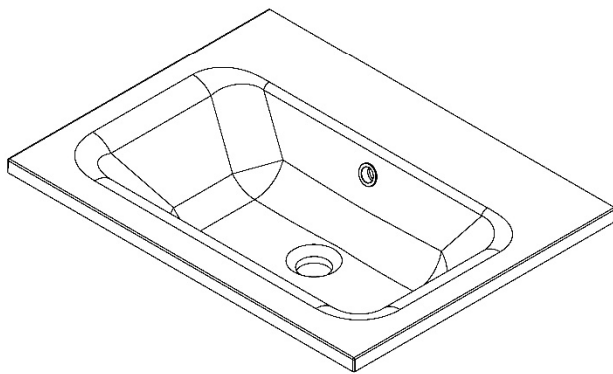
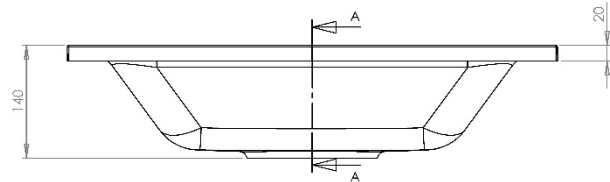
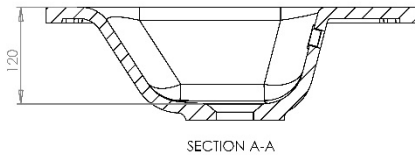
**Additional Documentation**

Additional Documentation available on our website [www.utopiagroup.com](http://www.utopiagroup.com)

Every effort has been made to ensure that the information provided on this document is correct at the time of creation. Finally, Utopia Furniture Ltd reserve the right to alter materials and specifications in line with continuing programme of production and service development.

**HALO | HALO GLOSS 610 BASIN**

**PT190001**



All dimension in mm. Please check dimensions prior to installation as they can vary due to manufacturing tolerances.

**Product Details**

**Product Specification**

Type:	Slabtop Basin
Width:	610
Depth:	460
Height:	140
Product Weight*:	9.20Kg
Tolerances:	Upto 2%
Guarantee Period:	Lifetime (For Domestic Use) 1 Years (For Commercial Use)

Material:	Coralux Gloss
Integrated Overflow:	Yes
Type of Waste Required:	Slotted
Quantity of Tap Holes:	N/A
Tap Position:	N/A
Standards:	BS EN 31 BS EN 14688

\*Product Weight includes packaging.

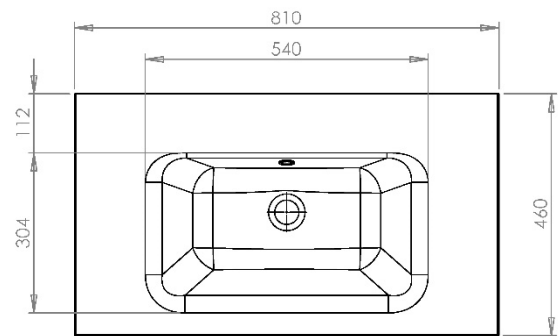
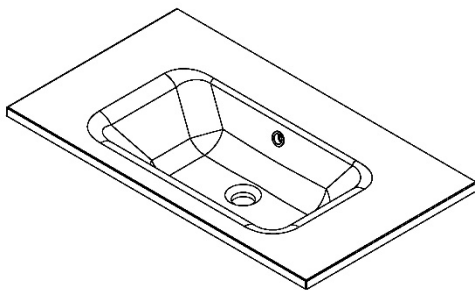
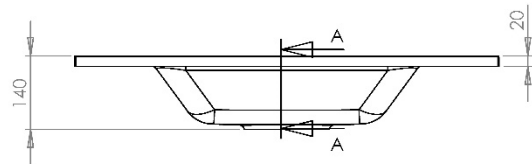
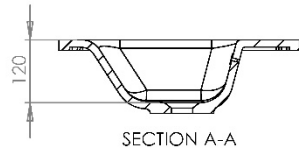
**Additional Documentation**

Additional Documentation available on our website [www.utopiagroup.com](http://www.utopiagroup.com)

Every effort has been made to ensure that the information provided on this document is correct at the time of creation. Finally, Utopia Furniture Ltd reserve the right to alter materials and specifications in line with continuing programme of production and service development.

**HALO | HALO GLOSS 810 BASIN**

**PT190002**



All dimension in mm. Please check dimensions prior to installation as they can vary due to manufacturing tolerances.

**Product Details**

Type:	Slabtop Basin
Width:	810
Depth:	460
Height:	140
Product Weight*:	13.60Kg
Tolerances:	Upto 2%
Guarantee Period:	Lifetime (For Domestic Use) 1 Years (For Commercial Use)

**Product Specification**

Material:	Coralux Gloss
Integrated Overflow:	Yes
Type of Waste Required:	Slotted
Quantity of Tap Holes:	N/A
Tap Position:	N/A
Standards:	BS EN 31 BS EN 14688

\*Product Weight includes packaging.

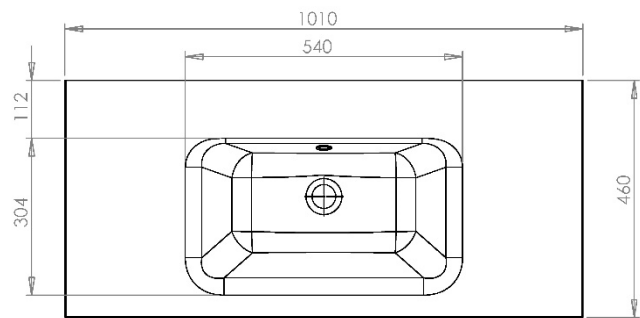
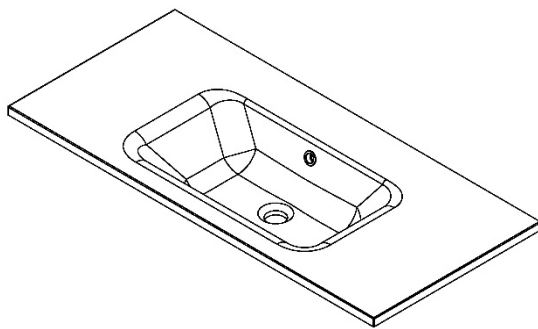
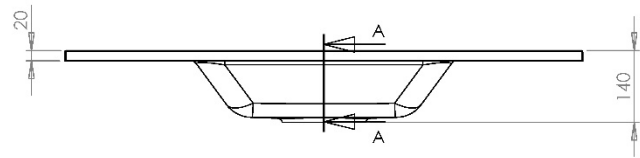
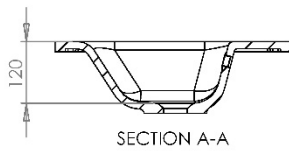
**Additional Documentation**

Additional Documentation available on our website [www.utopiagroup.com](http://www.utopiagroup.com)

Every effort has been made to ensure that the information provided on this document is correct at the time of creation. Finally, Utopia Furniture Ltd reserve the right to alter materials and specifications in line with continuing programme of production and service development.

**HALO | HALO GLOSS 1010 BASIN**

**PT190003**



All dimension in mm. Please check dimensions prior to installation as they can vary due to manufacturing tolerances.

**Product Details**

**Product Specification**

Type:	Slabtop Basin
Width:	1010
Depth:	460
Height:	140
Product Weight*:	16.30Kg
Tolerances:	Upto 2%
Guarantee Period:	Lifetime (For Domestic Use) 1 Years (For Commercial Use)

Material:	Coralux Gloss
Integrated Overflow:	Yes
Type of Waste Required:	Slotted
Quantity of Tap Holes:	N/A
Tap Position:	N/A
Standards:	BS EN 31 BS EN 14688

\*Product Weight includes packaging.

**Additional Documentation**

Additional Documentation available on our website [www.utopiagroup.com](http://www.utopiagroup.com)

Every effort has been made to ensure that the information provided on this document is correct at the time of creation. Finally, Utopia Furniture Ltd reserve the right to alter materials and specifications in line with continuing programme of production and service development.