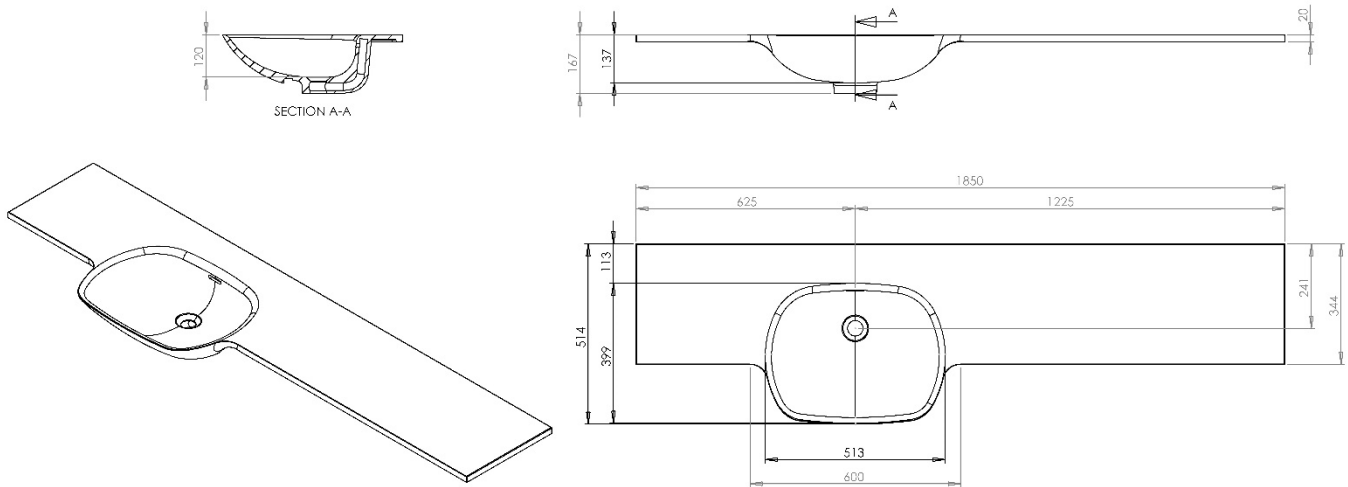


**ALL IN ONE | BASIN WTOP 1850X514 LH**  
**BASALL1LH**



All dimension in mm. Please check dimensions prior to installation as they can vary due to manufacturing tolerances.

**Product Details**

**Product Specification**

Type:	All in One Worktop and Basin
Width:	1850
Depth:	514
Height:	167
Product Weight*:	32.00Kg
Tolerances:	Upto 2%
Guarantee Period:	Lifetime (For Domestic Use) 1 Years (For Commercial Use)

Material:	Coralux
Integrated Overflow:	Yes
Type of Waste Required:	Slotted
Quantity of Tap Holes:	N/A
Tap Position:	N/A
Standards:	BS EN 31 BS EN 14688

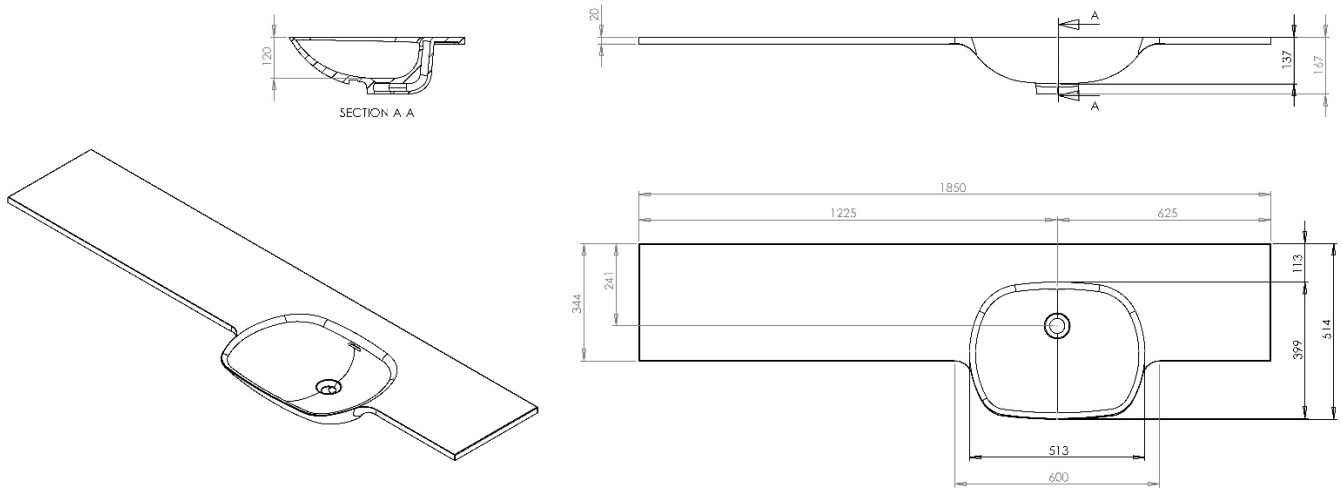
\*Product Weight includes packaging.

**Additional Documentation**

Additional Documentation available on our website [www.utopiagroup.com](http://www.utopiagroup.com)

Every effort has been made to ensure that the information provided on this document is correct at the time of creation. Finally, Utopia Furniture Ltd reserve the right to alter materials and specifications in line with continuing programme of production and service development.

**ALL IN ONE | BASIN WTOP 1850X514 RH**  
**BASALLIRH**



All dimension in mm. Please check dimensions prior to installation as they can vary due to manufacturing tolerances.

**Product Details**

Type:	All in One Worktop and Basin
Width:	1850
Depth:	514
Height:	167
Product Weight*:	32.00Kg
Tolerances:	Upto 2%
Guarantee Period:	Lifetime (For Domestic Use) 1 Years (For Commercial Use)

**Product Specification**

Material:	Coralux
Integrated Overflow:	Yes
Type of Waste Required:	Slotted
Quantity of Tap Holes:	N/A
Tap Position:	N/A
Standards:	BS EN 31 BS EN 14688

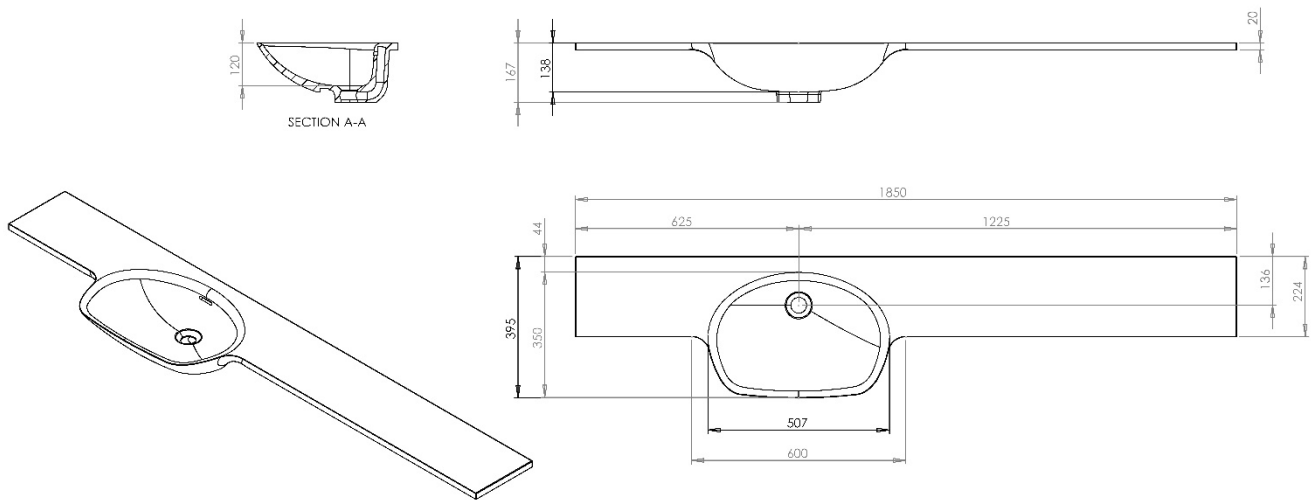
\*Product Weight includes packaging.

**Additional Documentation**

Additional Documentation available on our website [www.utopiagroup.com](http://www.utopiagroup.com)

Every effort has been made to ensure that the information provided on this document is correct at the time of creation. Finally, Utopia Furniture Ltd reserve the right to alter materials and specifications in line with continuing programme of production and service development.

**ALL IN ONE | ALL IN ONE REDUCED BASIN LH**  
**BASALLIRLH**



All dimension in mm. Please check dimensions prior to installation as they can vary due to manufacturing tolerances.

**Product Details**

Type:	All in One Worktop and Basin
Width:	1850
Depth:	395
Height:	167
Product Weight*:	32.00Kg
Tolerances:	Upto 2%
Guarantee Period:	Lifetime (For Domestic Use) 1 Years (For Commercial Use)

**Product Specification**

Material:	Coralux
Integrated Overflow:	Yes
Type of Waste Required:	Slotted
Quantity of Tap Holes:	N/A
Tap Position:	N/A
Standards:	BS EN 31 BS EN 14688

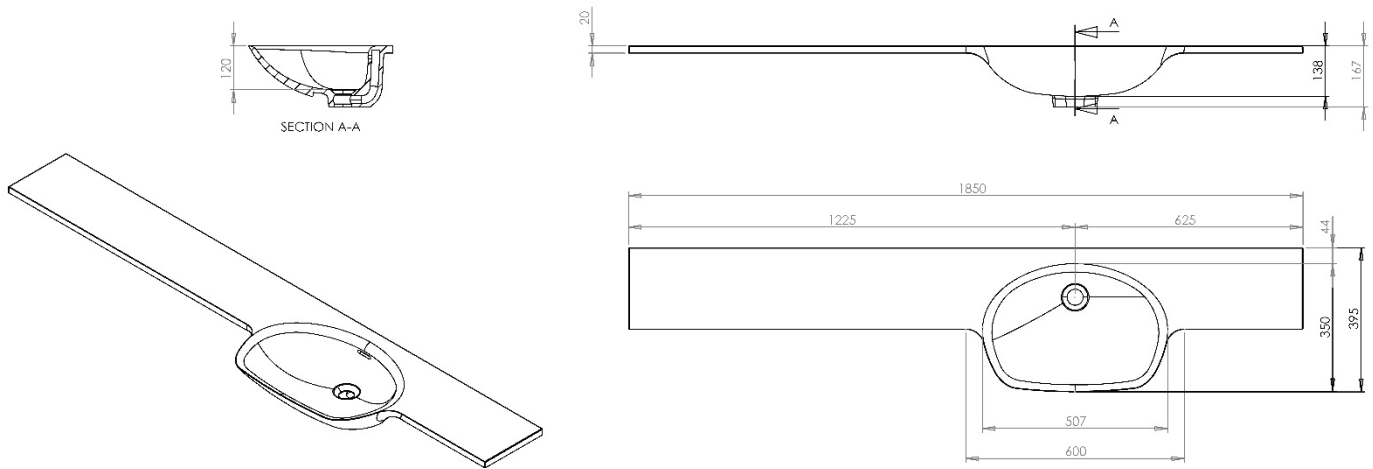
\*Product Weight includes packaging.

**Additional Documentation**

Additional Documentation available on our website [www.utopiagroup.com](http://www.utopiagroup.com)

Every effort has been made to ensure that the information provided on this document is correct at the time of creation. Finally, Utopia Furniture Ltd reserve the right to alter materials and specifications in line with continuing programme of production and service development.

**ALL IN ONE | ALL IN ONE REDUCED BASIN RH**  
**BASALLIRRH**



All dimension in mm. Please check dimensions prior to installation as they can vary due to manufacturing tolerances.

**Product Details**

Type:	All in One Worktop and Basin
Width:	1850
Depth:	395
Height:	167
Product Weight*:	32.00Kg
Tolerances:	Upto 2%
Guarantee Period:	Lifetime (For Domestic Use) 1 Years (For Commercial Use)

**Product Specification**

Material:	Coralux
Integrated Overflow:	Yes
Type of Waste Required:	Slotted
Quantity of Tap Holes:	N/A
Tap Position:	N/A
Standards:	BS EN 31 BS EN 14688

\*Product Weight includes packaging.

**Additional Documentation**

Additional Documentation available on our website [www.utopiagroup.com](http://www.utopiagroup.com)

Every effort has been made to ensure that the information provided on this document is correct at the time of creation. Finally, Utopia Furniture Ltd reserve the right to alter materials and specifications in line with continuing programme of production and service development.